



US00D426331S

United States Patent [19] Ham

[11] Patent Number: Des. 426,331

[45] Date of Patent: ** Jun. 6, 2000

[54] LANTERN

[76] Inventor: **Byung I. Ham**, 16550 E. Blackburn Dr., La Mirada, Calif. 90638

[**] Term: **14 Years**

[21] Appl. No.: **29/115,550**

[22] Filed: **Dec. 15, 1999**

[51] **LOC (7) Cl.** **26-02**

[52] **U.S. Cl.** **D26/38**

[58] **Field of Search** D26/37-50; D3/274, D3/276, 282, 905; 362/157, 158, 183-208

[56] **References Cited**

U.S. PATENT DOCUMENTS

D. 384,202	9/1997	Gilmore	D26/38
D. 412,371	7/1999	Yuen	D26/38
D. 414,284	9/1999	Zelina, Jr. et al.	D26/38
D. 414,285	9/1999	Chen	D26/38

Primary Examiner—Marcus A. Jackson
Attorney, Agent, or Firm—Blakely Sokoloff Taylor & Zafman LLP

[57] **CLAIM**

The ornamental design for a lantern, as shown and described.

DESCRIPTION

FIG. 1 is a top plan view of a lantern of one embodiment of the invention;

FIG. 2 is a left side plan view of the lantern of FIG. 1;

FIG. 3 is a rear plan view of the lantern of the FIG. 1;

FIG. 4 is a right side plan view of the lantern of FIG. 1;

FIG. 5 is a front plan view of the lantern of FIG. 1;

FIG. 6 is a bottom plan view of the lantern of FIG. 1; and,

FIG. 7 is a right plan view of the lantern of FIG. 1 with compartment open.

The broken lines in the figures are for environmental purposes only and form no part of the claimed design.

1 Claim, 4 Drawing Sheets

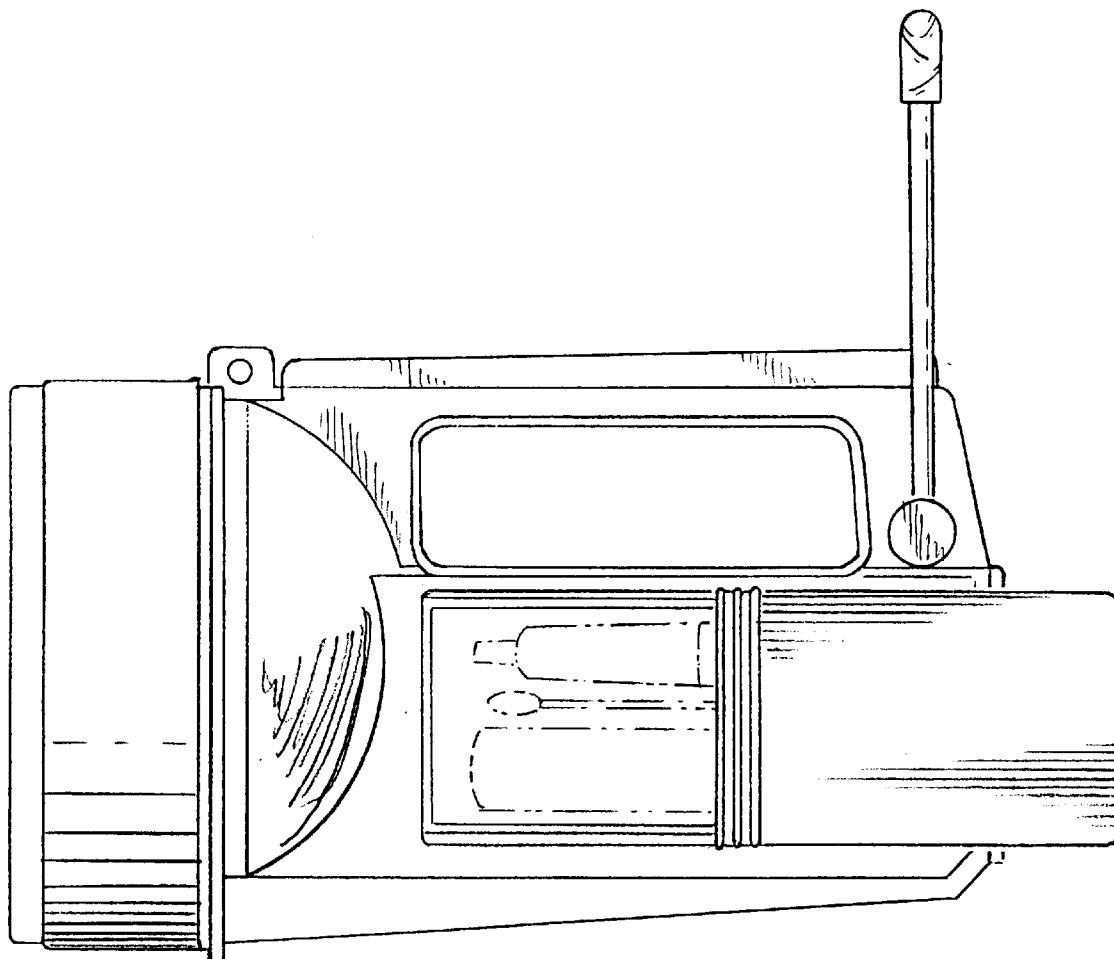


FIG 1

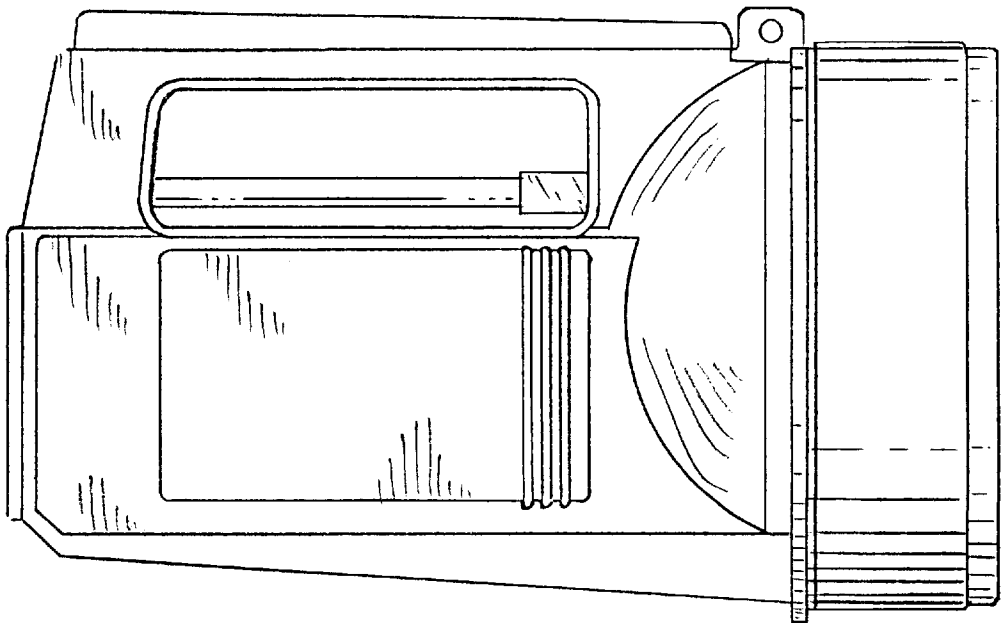
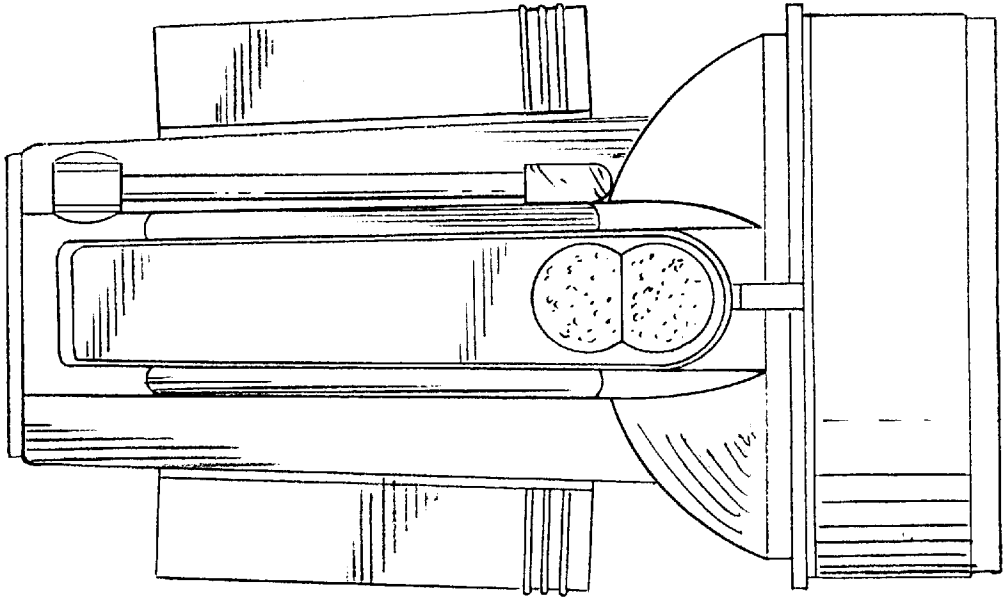


FIG 2

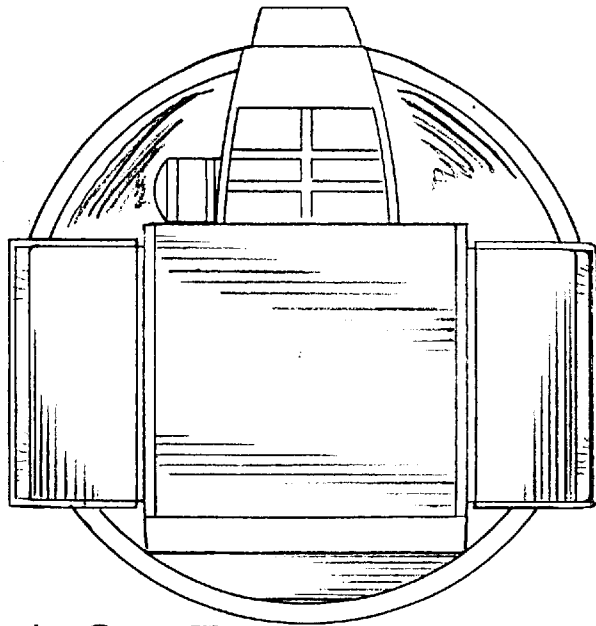


FIG 3

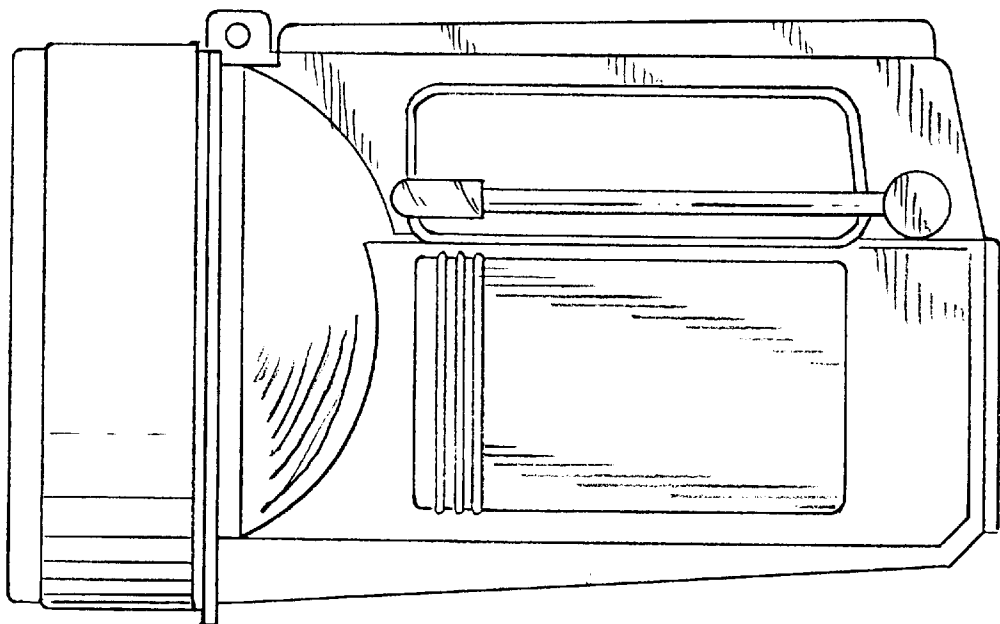


FIG. 4

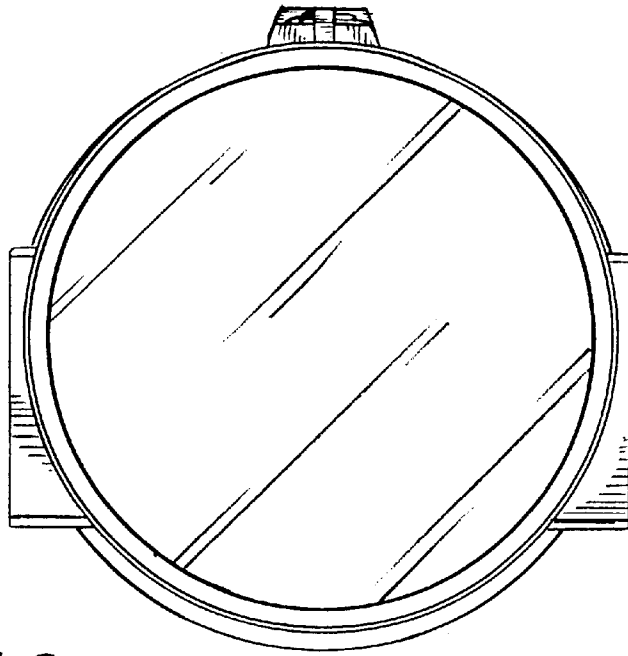


FIG. 5

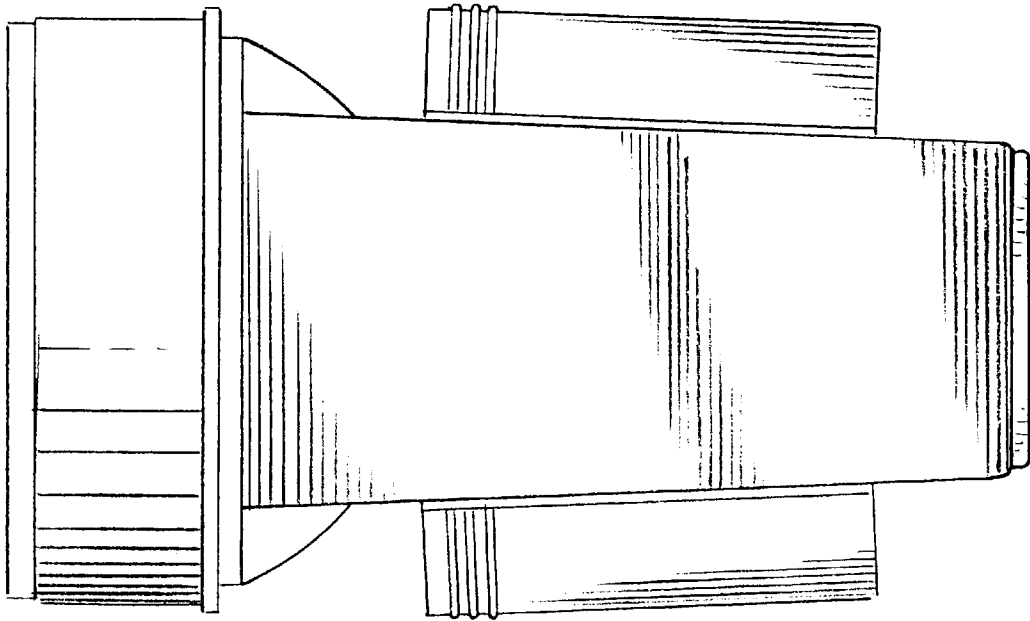


FIG. 6

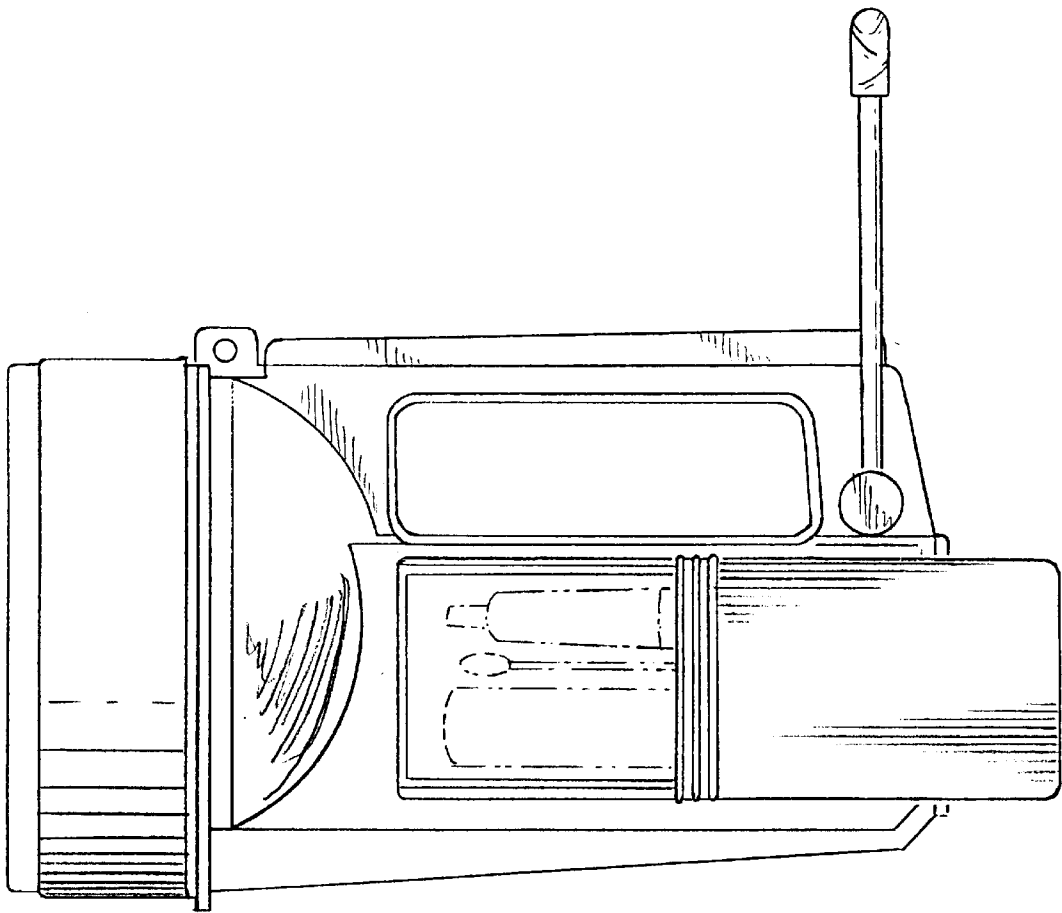


FIG. 7