

(19) World Intellectual Property Organization
International Bureau



(43) International Publication Date
27 September 2001 (27.09.2001)

PCT

(10) International Publication Number
WO 01/71344 A3

(51) International Patent Classification⁷: **G01N 33/558**, 33/58

(74) Agent: **BAKER & MAXHAM**; Lawrence A. Maxham, 750 B Street, Suite 3100, San Diego, CA 92101 (US).

(21) International Application Number: PCT/US01/07022

(22) International Filing Date: 6 March 2001 (06.03.2001)

(25) Filing Language: English

(26) Publication Language: English

(30) Priority Data:
09/527,801 17 March 2000 (17.03.2000) US

(71) Applicant (for all designated States except US): **QUANTUM DESIGN, INC.** [US/US]; 11578 Sorrento Valley Road, Suite 30, San Diego, CA 92121 (US).

(72) Inventor; and

(75) Inventor/Applicant (for US only): **LA BORDE, Ronald, T.** [US/US]; 8163 Royal Gorge Drive, San Diego, CA 92119 (US).

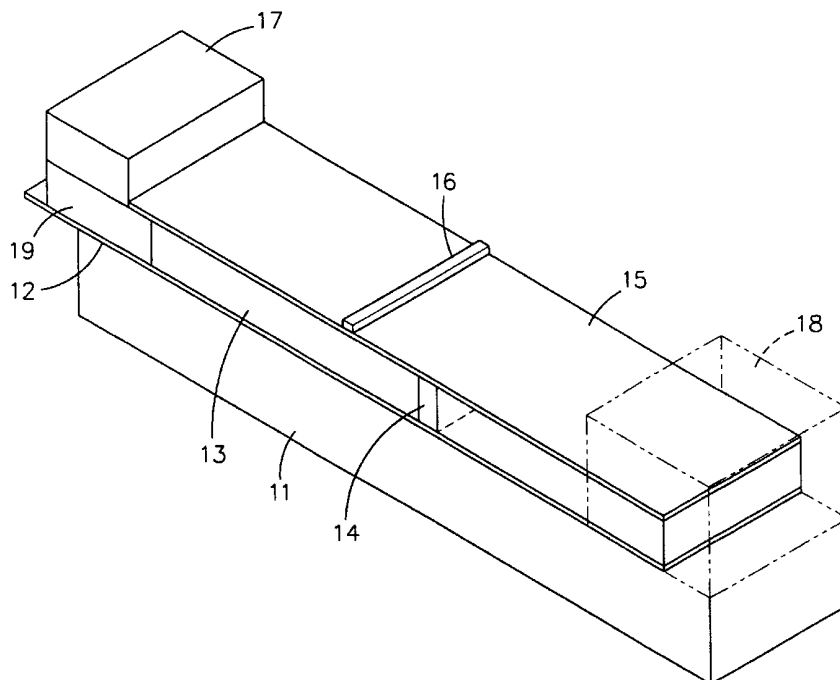
(81) Designated States (national): AE, AG, AL, AM, AT, AU, AZ, BA, BB, BG, BR, BY, BZ, CA, CH, CN, CR, CU, CZ, DE, DK, DM, DZ, EE, ES, FI, GB, GD, GE, GH, GM, HR, HU, ID, IL, IN, IS, JP, KE, KG, KP, KR, KZ, LC, LK, LR, LS, LT, LU, LV, MA, MD, MG, MK, MN, MW, MX, MZ, NO, NZ, PL, PT, RO, RU, SD, SE, SG, SI, SK, SL, TJ, TM, TR, TT, TZ, UA, UG, US, UZ, VN, YU, ZA, ZW.

(84) Designated States (regional): ARIPO patent (GH, GM, KE, LS, MW, MZ, SD, SL, SZ, TZ, UG, ZW), Eurasian patent (AM, AZ, BY, KG, KZ, MD, RU, TJ, TM), European patent (AT, BE, CH, CY, DE, DK, ES, FI, FR, GB, GR, IE, IT, LU, MC, NL, PT, SE, TR), OAPI patent (BF, BJ, CF, CG, CI, CM, GA, GN, GW, ML, MR, NE, SN, TD, TG).

Published:
— with international search report

[Continued on next page]

(54) Title: IMMUNOCHROMATOGRAPHIC ASSAY METHOD AND APPARATUS



(57) Abstract: An immunochromatographic assay employing superparamagnetic particles to label the target analytes. An opaque cover (15) prevents misinterpretive readings in field situations and provides a protective surface on the porous membrane (13). Additional features include separability of the test strip from any backing (14) or housing which is configured to support the strip, and that quantitative measurements of the target analytes are easily and accurately made by means of an electromagnetic reader device (21).



WO 01/71344 A3



(88) Date of publication of the international search report:
10 January 2002

For two-letter codes and other abbreviations, refer to the "Guidance Notes on Codes and Abbreviations" appearing at the beginning of each regular issue of the PCT Gazette.

INTERNATIONAL SEARCH REPORT

International Application No

PCT/US 01/07022

A. CLASSIFICATION OF SUBJECT MATTER
 IPC 7 G01N33/558 G01N33/58

According to International Patent Classification (IPC) or to both national classification and IPC

B. FIELDS SEARCHED

Minimum documentation searched (classification system followed by classification symbols)

IPC 7 G01N

Documentation searched other than minimum documentation to the extent that such documents are included in the fields searched

Electronic data base consulted during the international search (name of data base and, where practical, search terms used)

EPO-Internal

C. DOCUMENTS CONSIDERED TO BE RELEVANT

Category °	Citation of document, with indication, where appropriate, of the relevant passages	Relevant to claim No.
Y	WO 97 34150 A (ABBOTT LABORATORIES) 18 September 1997 (1997-09-18) page 7, line 8 - line 13; claims; figure 2 ---	1-16
Y	WO 97 35205 A (SEREX, INC.) 25 September 1997 (1997-09-25) the whole document ---	1-16
Y	US 5 869 345 A (H. M. CHANDLER) 9 February 1999 (1999-02-09) the whole document ---	1-16
Y	US 5 968 839 A (J. M. BLATT ET AL.) 19 October 1999 (1999-10-19) the whole document -----	1-16

Further documents are listed in the continuation of box C.

Patent family members are listed in annex.

° Special categories of cited documents :

- *A* document defining the general state of the art which is not considered to be of particular relevance
- *E* earlier document but published on or after the international filing date
- *L* document which may throw doubts on priority claim(s) or which is cited to establish the publication date of another citation or other special reason (as specified)
- *O* document referring to an oral disclosure, use, exhibition or other means
- *P* document published prior to the international filing date but later than the priority date claimed

- *T* later document published after the international filing date or priority date and not in conflict with the application but cited to understand the principle or theory underlying the invention
- *X* document of particular relevance; the claimed invention cannot be considered novel or cannot be considered to involve an inventive step when the document is taken alone
- *Y* document of particular relevance; the claimed invention cannot be considered to involve an inventive step when the document is combined with one or more other such documents, such combination being obvious to a person skilled in the art.
- *Z* document member of the same patent family

Date of the actual completion of the international search

16 October 2001

Date of mailing of the international search report

23/10/2001

Name and mailing address of the ISA

European Patent Office, P.B. 5818 Patentlaan 2
 NL - 2280 HV Rijswijk
 Tel. (+31-70) 340-2040, Tx. 31 651 epo nl,
 Fax: (+31-70) 340-3016

Authorized officer

Griffith, G

INTERNATIONAL SEARCH REPORT

Information on patent family members

International Application No

PCT/US 01/07022

Patent document cited in search report		Publication date	Patent family member(s)	Publication date
WO 9734150	A	18-09-1997	WO 9734150 A1	18-09-1997
WO 9735205	A	25-09-1997	AU 2553197 A	10-10-1997
			CA 2249303 A1	25-09-1997
			EP 0888552 A1	07-01-1999
			WO 9735205 A1	25-09-1997
			US 6121008 A	19-09-2000
US 5869345	A	09-02-1999	US 5877028 A	02-03-1999
			US 6168956 B1	02-01-2001
			AU 720394 B2	01-06-2000
			AU 5930796 A	18-12-1996
			CA 2221125 A1	05-12-1996
			CN 1201527 A	09-12-1998
			EP 0855031 A1	29-07-1998
			JP 2001504573 T	03-04-2001
			WO 9638727 A1	05-12-1996
			US 5846838 A	08-12-1998
			AT 177206 T	15-03-1999
			AU 678461 B2	29-05-1997
			AU 6497094 A	24-10-1994
			BG 100104 A	31-05-1996
			BR 9406755 A	02-04-1996
			CA 2158570 A1	13-10-1994
			CN 1124524 A	12-06-1996
			DE 69416828 D1	08-04-1999
			DE 69416828 T2	08-07-1999
			DK 692097 T3	04-10-1999
			EP 0692097 A1	17-01-1996
			ES 2131191 T3	16-07-1999
			FI 954591 A	27-11-1995
			HU 73379 A2	29-07-1996
			JP 8508569 T	10-09-1996
			NO 953872 A	06-11-1995
			NZ 263754 A	24-03-1997
			PL 310953 A1	08-01-1996
			RU 2124729 C1	10-01-1999
			SK 122795 A3	05-06-1996
			WO 9423300 A1	13-10-1994
			US 5468648 A	21-11-1995
			US 5607863 A	04-03-1997
			US 5648274 A	15-07-1997
			US 5998220 A	07-12-1999
			US 6017767 A	25-01-2000
			AT 174432 T	15-12-1998
			AU 665956 B2	25-01-1996
			AU 2185292 A	08-01-1993
			CA 2103052 A1	30-11-1992
			DE 69227834 D1	21-01-1999
			DE 69227834 T2	29-04-1999
			DK 586595 T3	16-08-1999
			EP 0586595 A1	16-03-1994
			EP 0874241 A1	28-10-1998
			ES 2127754 T3	01-05-1999
			FI 9352 A	
US 5968839	A	19-10-1999	CA 2254075 A1	19-11-1998