

[54] MILLING MACHINE

[75] Inventor: Gerald V. Roch, Indianapolis, Ind.

[73] Assignee: Hurco Manufacturing Co. Inc., Indianapolis, Ind.

[\*\*] Term: 14 Years

[21] Appl. No.: 855,030

[22] Filed: Nov. 25, 1977

[51] Int. Cl. .... D15-09

[52] U.S. Cl. .... D15/131

[58] Field of Search .... D15/131, 123

[56] References Cited

U.S. PATENT DOCUMENTS

- D. 217,390 4/1970 Larsen ..... D15/131
- D. 243,972 4/1977 Kucyna ..... D15/131

D. 245,026 7/1977 Roch et al. .... D15/123

Primary Examiner—Wallace R. Burke

Assistant Examiner—B. J. Bullock

Attorney, Agent, or Firm—Woodard, Weikart, Emhardt & Naughton

[57] CLAIM

The ornamental design for a milling machine, as shown and described.

DESCRIPTION

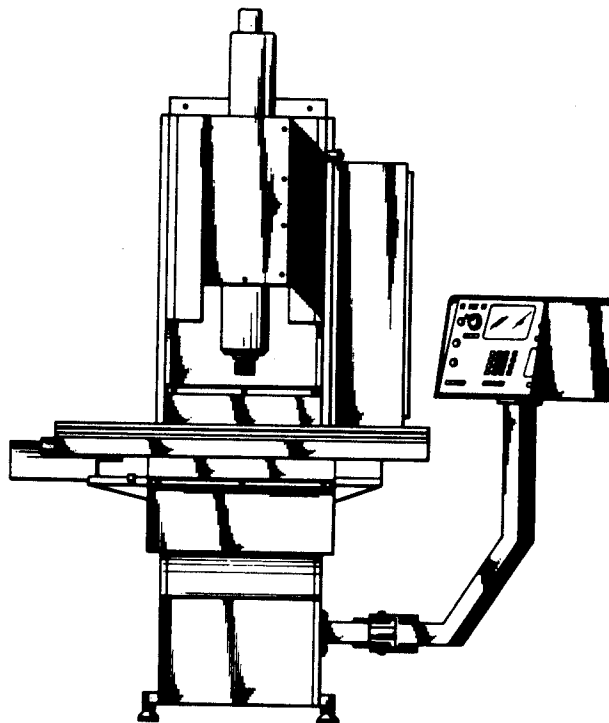
FIG. 1 is a front elevational view of my milling machine showing my new design;

FIG. 2 is a top plan view thereof;

FIG. 3 is a side elevational view taken from the left side of FIG. 1;

FIG. 4 is a rear elevational view thereof;

FIG. 5 is a side elevational view taken from the right side of FIG. 1.



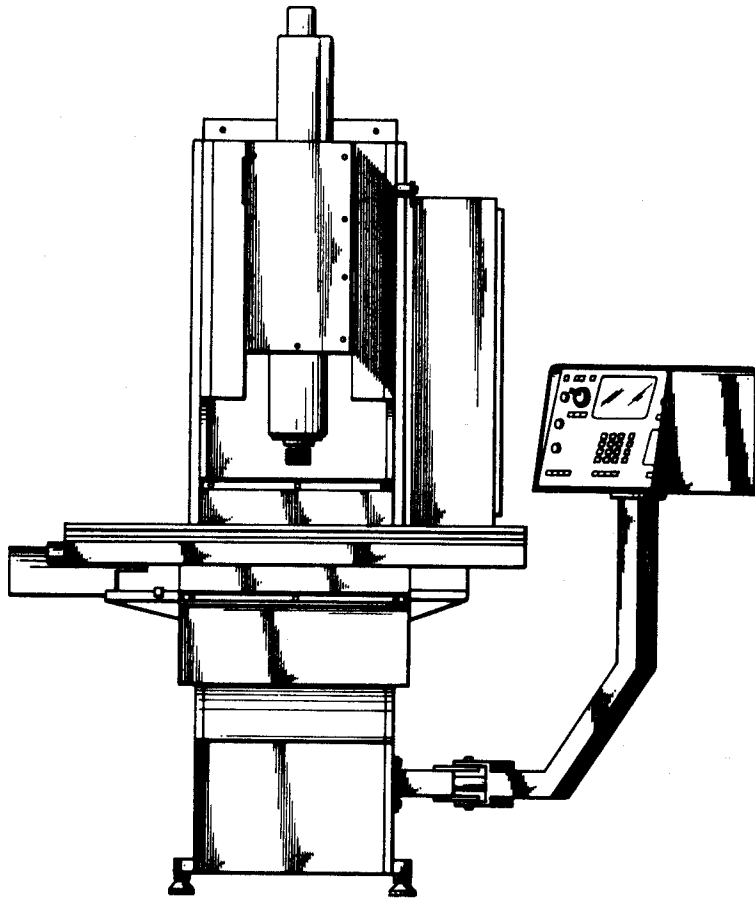


FIG. 1

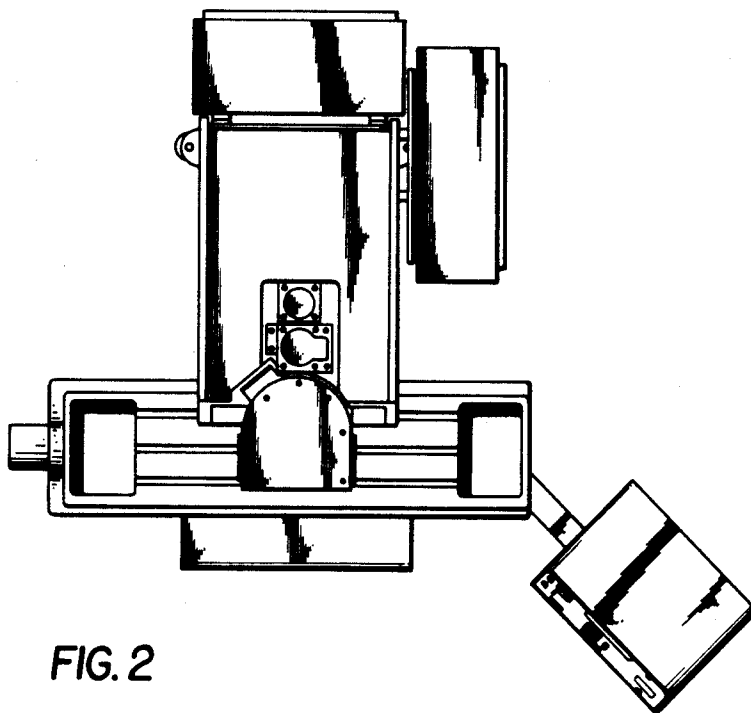


FIG. 2

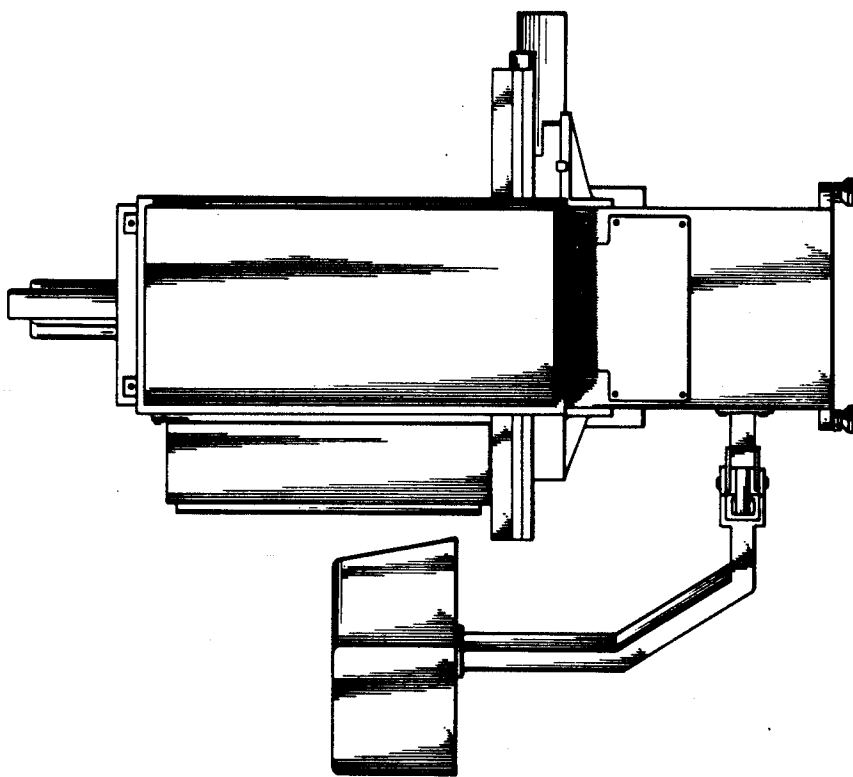


FIG. 4

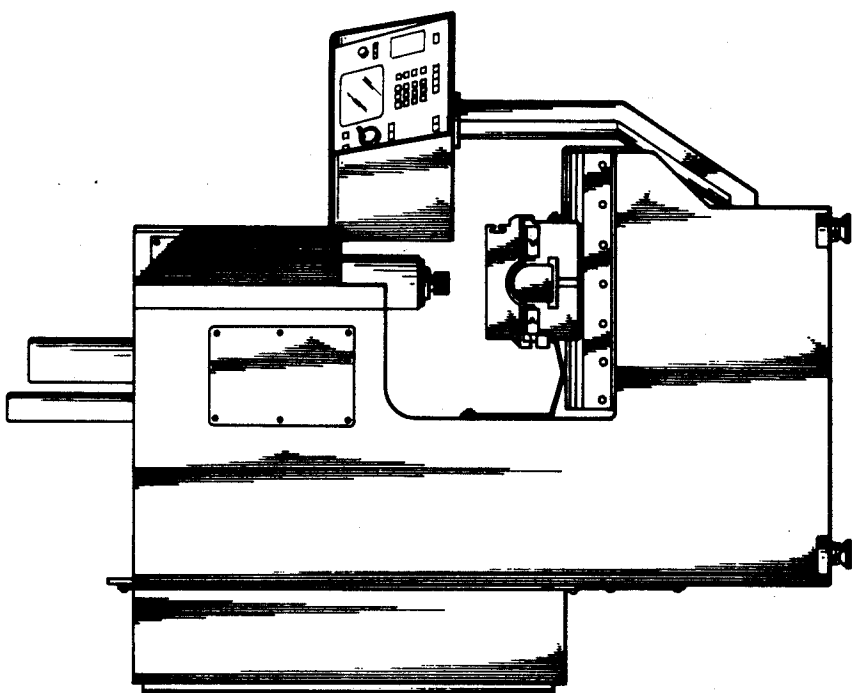


FIG. 3

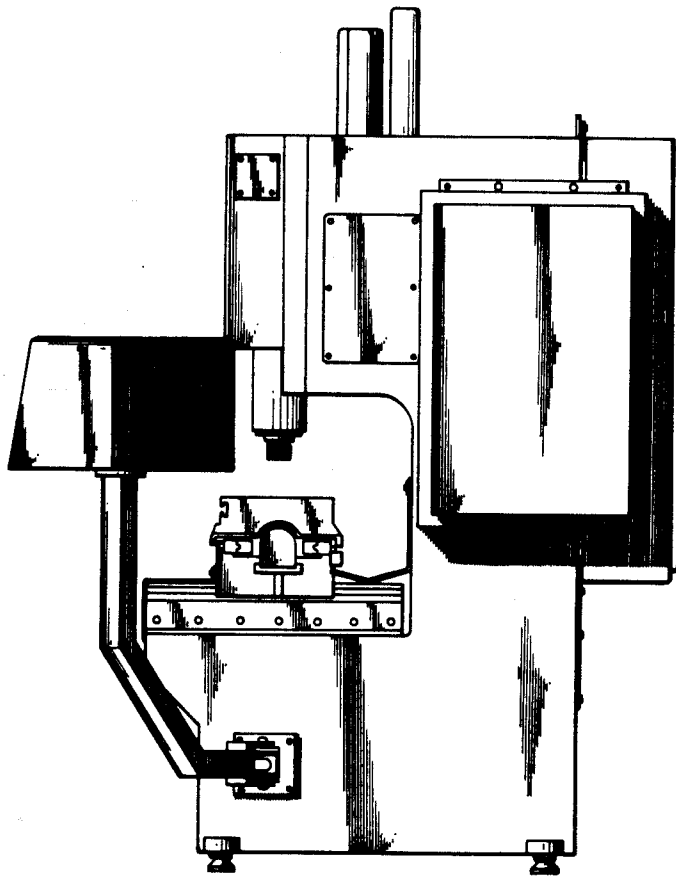


FIG. 5