

(19) World Intellectual Property Organization  
International Bureau



(43) International Publication Date  
14 December 2006 (14.12.2006)

PCT

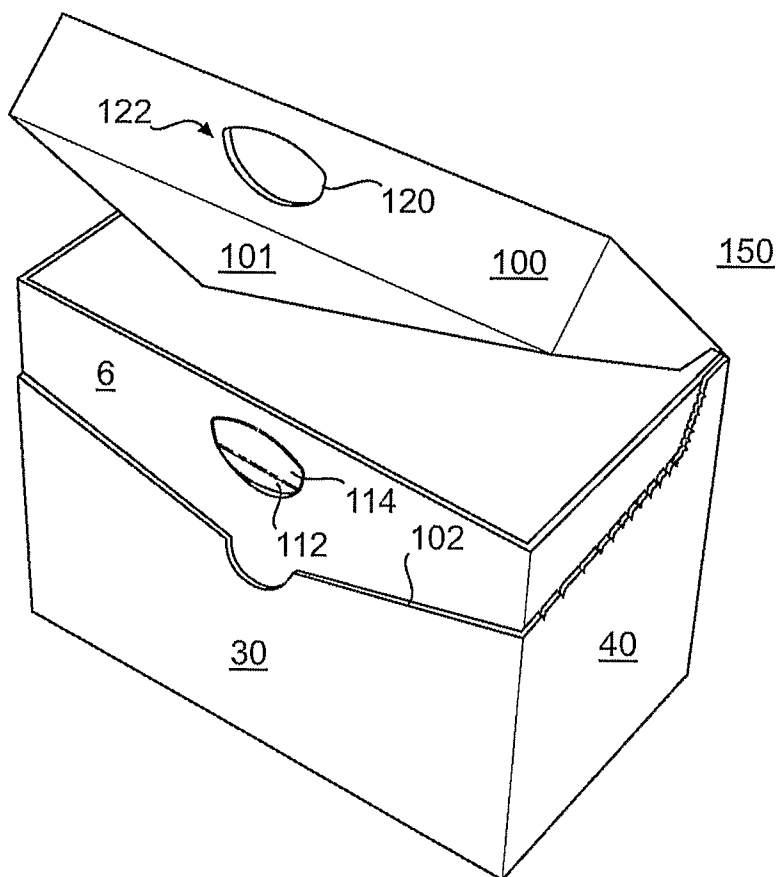
(10) International Publication Number  
**WO 2006/133394 A3**

- (51) International Patent Classification:  
*B65D 5/66* (2006.01)      *B65D 5/46* (2006.01)
- (21) International Application Number:  
PCT/US2006/022421
- (22) International Filing Date:      7 June 2006 (07.06.2006)
- (25) Filing Language:      English
- (26) Publication Language:      English
- (30) Priority Data:  
60/688,505      8 June 2005 (08.06.2005)      US  
60/724,537      7 October 2005 (07.10.2005)      US
- (71) Applicant: **GRAPHIC PACKAGING INTERNATIONAL, INC.** [US/US]; 814 Livingston Court, Marietta, GA 30067 (US).
- (72) Inventors: **WALSH, Joseph, C.**; 5532 La Plata Circle, Boulder, CO 80301 (US). **CONATSER, Robert L.**; P.O.Box 655, Golden, CO 80402 (US). **LASTANEK, Raymond S.**; 1621 Flemming Drive, Longmont, CO 80501 (US). **FITZWATER, Kelly R.**; 25 Kendall Street, Lakewood, CO 80226 (US). **WILSON, Weston R.**; 5383 Newcombe Street, Arvada, Colorado 80002 (US).
- (74) Agents: **ISAF, Louis, T.** et al.; WOMBLE CARLYLE SANDRIDGE & RICE, PLLC, P.O. Box 7037, Atlanta, GA 30357-0037 (US).
- (81) Designated States (*unless otherwise indicated, for every kind of national protection available*): AE, AG, AL, AM, AT, AU, AZ, BA, BB, BG, BR, BW, BY, BZ, CA, CH, CN, CO, CR, CU, CZ, DE, DK, DM, DZ, EC, EE, EG, ES, FI, GB, GD, GE, GH, GM, HR, HU, ID, IL, IN, IS, JP, KE, KG, KM, KN, KP, KR, KZ, LC, LK, LR, LS, LT, LU, LV, LY, MA, MD, MG, MK, MN, MW, MX, MZ, NA, NG, NI, NO, NZ, OM, PG, PH, PL, PT, RO, RU, SC, SD, SE, SG, SK, SL, SM, SY, TJ, TM, TN, TR, TT, TZ, UA, UG, US, UZ, VC, VN, YU, ZA, ZM, ZW.
- (84) Designated States (*unless otherwise indicated, for every kind of regional protection available*): ARIPO (BW, GH, GM, KE, LS, MW, MZ, NA, SD, SL, SZ, TZ, UG, ZM, ZW), Eurasian (AM, AZ, BY, KG, KZ, MD, RU, TJ, TM), European (AT, BE, BG, CH, CY, CZ, DE, DK, EE, ES, FI,

[Continued on next page]

(54) Title: PACKAGES, BLANKS FOR MAKING PACKAGES AND ASSOCIATED METHODS

(57) Abstract: Cartons are formed from two or more continuous webs that can individually or concurrently provided with cuts, scores, or other lines of disruption.



WO 2006/133394 A3



FR, GB, GR, HU, IE, IS, IT, LT, LU, LV, MC, NL, PL, PT,  
RO, SE, SI, SK, TR), OAPI (BF, BJ, CF, CG, CI, CM, GA,  
GN, GQ, GW, ML, MR, NE, SN, TD, TG).

*For two-letter codes and other abbreviations, refer to the "Guidance Notes on Codes and Abbreviations" appearing at the beginning of each regular issue of the PCT Gazette.*

**Published:**

- *with international search report*
- *before the expiration of the time limit for amending the claims and to be republished in the event of receipt of amendments*

**(88) Date of publication of the international search report:**

7 June 2007

**INTERNATIONAL SEARCH REPORT**

International application No  
PCT/US2006/022421

**A. CLASSIFICATION OF SUBJECT MATTER**  
INV. B65D5/66 B65D5/46

According to International Patent Classification (IPC) or to both national classification and IPC

**B. FIELDS SEARCHED**

Minimum documentation searched (classification system followed by classification symbols)  
B65D

Documentation searched other than minimum documentation to the extent that such documents are included in the fields searched

Electronic data base consulted during the international search (name of data base and, where practical, search terms used)

EPO-Internal

**C. DOCUMENTS CONSIDERED TO BE RELEVANT**

Category*	Citation of document, with indication, where appropriate, of the relevant passages	Relevant to claim No.
X Y	WO 03/051622 A (GRAPHIC PACKAGING CORP [US]; WALSH JOSEPH C [US]; CONATSER ROBERT L [U] 26 June 2003 (2003-06-26) figures 15-17, 34-39	1-14, 16, 17, 20-23, 25 15, 18, 19, 24, 26-40
X	----- DE 89 08 393 U1 (HENKEL KGAA, 4000 DUESSELDORF, DE) 14 September 1989 (1989-09-14) figures 1-4	8-13, 16
Y	----- GB 2 275 913 A (LMG FOLDING CARTONS LIMITED [GB]) 14 September 1994 (1994-09-14) figures 4,5	24, 31
	----- -/--	

Further documents are listed in the continuation of Box C.

See patent family annex.

\* Special categories of cited documents :

- \*A\* document defining the general state of the art which is not considered to be of particular relevance
- \*E\* earlier document but published on or after the international filing date
- \*L\* document which may throw doubts on priority claim(s) or which is cited to establish the publication date of another citation or other special reason (as specified)
- \*O\* document referring to an oral disclosure, use, exhibition or other means
- \*P\* document published prior to the international filing date but later than the priority date claimed

- \*T\* later document published after the international filing date or priority date and not in conflict with the application but cited to understand the principle or theory underlying the invention
- \*X\* document of particular relevance; the claimed invention cannot be considered novel or cannot be considered to involve an inventive step when the document is taken alone
- \*Y\* document of particular relevance; the claimed invention cannot be considered to involve an inventive step when the document is combined with one or more other such documents, such combination being obvious to a person skilled in the art.
- \*Z\* document member of the same patent family

Date of the actual completion of the international search

20 March 2007

Date of mailing of the international search report

12/04/2007

Name and mailing address of the ISA/

European Patent Office, P.B. 5818 Patentlaan 2  
NL - 2280 HV Rijswijk  
Tel. (+31-70) 340-2040, Tx. 31 651 epo nl,  
Fax: (+31-70) 340-3016

Authorized officer

Jervelund, Niels

## INTERNATIONAL SEARCH REPORT

International application No  
PCT/US2006/022421

C(Continuation). DOCUMENTS CONSIDERED TO BE RELEVANT

Category*	Citation of document, with indication, where appropriate, of the relevant passages	Relevant to claim No.
Y	WO 02/11516 A1 (PROCTER & GAMBLE [US]; HOFTE PAULUS ANTONIUS AUGUSTIN [BE]) 14 February 2002 (2002-02-14) figures 1,2 -----	15
Y	GB 2 379 923 A (A & R CARTON [GB]) 26 March 2003 (2003-03-26) figure 4 -----	18,26-40
Y	US 3 981 430 A1 (KEIM CAMERON D) 21 September 1976 (1976-09-21) figure 3 -----	19

# INTERNATIONAL SEARCH REPORT

International application No.  
PCT/US2006/022421

## Box II Observations where certain claims were found unsearchable (Continuation of item 2 of first sheet)

This International Search Report has not been established in respect of certain claims under Article 17(2)(a) for the following reasons:

1.  Claims Nos.:  
because they relate to subject matter not required to be searched by this Authority, namely:
  
2.  Claims Nos.:  
because they relate to parts of the International Application that do not comply with the prescribed requirements to such an extent that no meaningful International Search can be carried out, specifically:
  
3.  Claims Nos.:  
because they are dependent claims and are not drafted in accordance with the second and third sentences of Rule 6.4(a).

## Box III Observations where unity of invention is lacking (Continuation of item 3 of first sheet)

This International Searching Authority found multiple inventions in this international application, as follows:

see additional sheet

1.  As all required additional search fees were timely paid by the applicant, this International Search Report covers all searchable claims.
  
2.  As all searchable claims could be searched without effort justifying an additional fee, this Authority did not invite payment of any additional fee.
  
3.  As only some of the required additional search fees were timely paid by the applicant, this International Search Report covers only those claims for which fees were paid, specifically claims Nos.:
  
4.  No required additional search fees were timely paid by the applicant. Consequently, this International Search Report is restricted to the invention first mentioned in the claims; it is covered by claims Nos.:

### Remark on Protest

- The additional search fees were accompanied by the applicant's protest.
- No protest accompanied the payment of additional search fees.

**FURTHER INFORMATION CONTINUED FROM PCT/ISA/ 210**

This International Searching Authority found multiple (groups of) inventions in this international application, as follows:

1. claims: 1-14,16,17,20-25

A carton being formed from an inner blank and an outer blank, comprising a lid including a latch portion, whereby the latch portion is formed in the outer blank and adhered to the inner blank.

---

2. claim: 15

A carton being formed from an inner blank and an outer blank, comprising a lid including an article receiving aperture and an article received therein.

---

3. claims: 18,19,26-40

A carton being formed from an inner blank and an outer blank, whereby the inner blank includes a tear away portion adjacent the lid to be removed after opening of the lid.

---

# INTERNATIONAL SEARCH REPORT

Information on patent family members

International application No PCT/US2006/022421
---

Patent document cited in search report	Publication date	Patent family member(s)	Publication date
WO 03051622	A	26-06-2003	
		AU 2002361660 A1	30-06-2003
		CA 2470110 A1	26-06-2003
		EP 1456010 A1	15-09-2004
		JP 2005512842 T	12-05-2005
DE 8908393	U1	14-09-1989	NONE
GB 2275913	A	14-09-1994	NONE
WO 0211516	A1	14-02-2002	
		CA 2373836 A1	14-02-2002
		JP 2004504991 T	19-02-2004
GB 2379923	A	26-03-2003	NONE
US 3981430	A1		NONE