

(19) World Intellectual Property Organization  
International Bureau



(43) International Publication Date  
28 February 2002 (28.02.2002)

PCT

(10) International Publication Number  
WO 02/17327 A3

(51) International Patent Classification<sup>7</sup>: G11C 7/10

(21) International Application Number: PCT/US01/41798

(22) International Filing Date: 21 August 2001 (21.08.2001)

(25) Filing Language: English

(26) Publication Language: English

(30) Priority Data:  
09/641,518 21 August 2000 (21.08.2000) US

(71) Applicant: MICRON TECHNOLOGY, INC. [US/US];  
8000 S. Federal Way, Boise, ID 83707-0006 (US).

(72) Inventor: JANZEN, Jeffrey, W.; 2727 N. Silverleaf Way,  
Boise, ID 83713 (US).

(74) Agent: MINUTOLI, Gianni; Dickstein Shapiro Morin  
& Oshinsky LLP, 2101 L Street N.W., Washington, DC  
20037-1526 (US).

(81) Designated States (national): AE, AG, AL, AM, AT, AU,  
AZ, BA, BB, BG, BR, BY, BZ, CA, CH, CN, CO, CR, CU,

CZ, DE, DK, DM, DZ, EC, EE, ES, FI, GB, GD, GE, GH,  
GM, HR, HU, ID, IL, IN, IS, JP, KE, KG, KP, KR, KZ, LC,  
LK, LR, LS, LT, LU, LV, MA, MD, MG, MK, MN, MW,  
MX, MZ, NO, NZ, PH, PL, PT, RO, RU, SD, SE, SG, SI,  
SK, SL, TJ, TM, TR, TT, TZ, UA, UG, UZ, VN, YU, ZA,  
ZW.

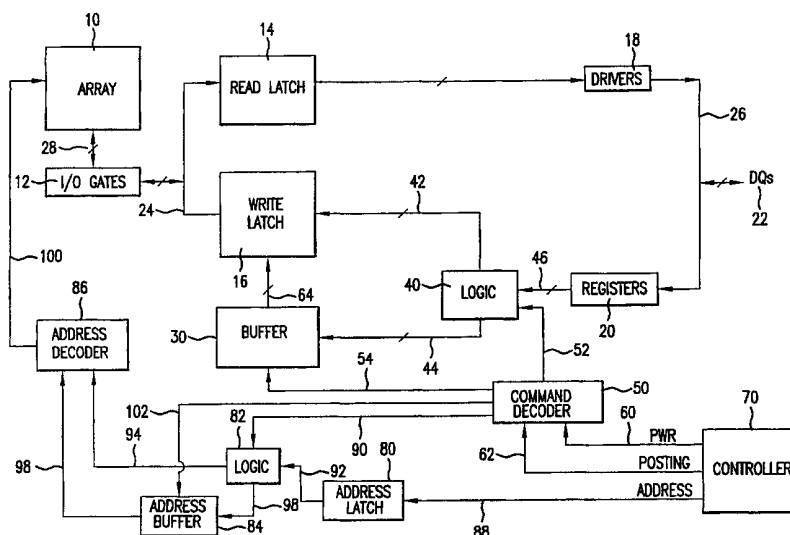
(84) Designated States (regional): ARIPO patent (GH, GM,  
KE, LS, MW, MZ, SD, SL, SZ, TZ, UG, ZW), Eurasian  
patent (AM, AZ, BY, KG, KZ, MD, RU, TJ, TM), European  
patent (AT, BE, CH, CY, DE, DK, ES, FI, FR, GB, GR, IE,  
IT, LU, MC, NL, PT, SE, TR), OAPI patent (BF, BJ, CF,  
CG, CI, CM, GA, GN, GQ, GW, ML, MR, NE, SN, TD,  
TG).

Published:  
— with international search report  
— before the expiration of the time limit for amending the  
claims and to be republished in the event of receipt of  
amendments

(88) Date of publication of the international search report:  
13 June 2002

For two-letter codes and other abbreviations, refer to the "Guidance Notes on Codes and Abbreviations" appearing at the beginning of each regular issue of the PCT Gazette.

(54) Title: MEMORY DEVICE HAVING POSTED WRITE PER COMMAND



(57) Abstract: A system and method for decreasing the memory access time by determining if data will be written directly to the array or be posted through a data buffer on a per command basis is disclosed. A memory controller determines if data to be written to a memory array, such as a DRAM array, is either written directly to the array or posted through a data buffer on a per command basis. If the controller determines that a write command is going to be followed by another write command, the data associated with the first write command will be written directly into the memory array without posting the data in the buffer. If the controller determines that a write command will be followed by a read command, the data associated with the write command will be posted in the data buffer, allowing the read command to occur with minimal delay, and the posted data will then be written into the array when the internal I/O lines are no longer being used to execute the read command.

WO 02/17327 A3

# INTERNATIONAL SEARCH REPORT

International Application No  
PCT/US 01/41798

|  |   |   |   |   |
|--|---|---|---|---|
| <b>A. CLASSIFICATION OF SUBJECT MATTER</b><br>IPC 7 G11C7/10   |   |   |   |   |
| According to International Patent Classification (IPC) or to both national classification and IPC  |   |   |   |   |
| <b>B. FIELDS SEARCHED</b>  |   |   |   |   |
| Minimum documentation searched (classification system followed by classification symbols)<br>IPC 7 G11C  |   |   |   |   |
| Documentation searched other than minimum documentation to the extent that such documents are included in the fields searched  |   |   |   |   |
| Electronic data base consulted during the international search (name of data base and, where practical, search terms used)<br>EPO-Internal, PAJ  |   |   |   |   |
| <b>C. DOCUMENTS CONSIDERED TO BE RELEVANT</b>  |   |   |   |   |
| Category °   | Citation of document, with indication, where appropriate, of the relevant passages  | Relevant to claim No.   |   |   |
| X  | EP 0 974 978 A (SAMSUNG ELECTRONICS CO LTD) 26 January 2000 (2000-01-26)<br><br>column 8, line 17 -column 9, line 54;<br>figures 1,5<br><br>---   | 1-3,<br>9-11,25,<br>32,45,<br>55,67   |   |   |
| A  | US 6 094 399 A (MICK JOHN R) 25 July 2000 (2000-07-25)<br>the whole document<br><br>-----   | 1-71  |   |   |
| <input type="checkbox"/> Further documents are listed in the continuation of box C.  |   |   |   |   |
| <input checked="" type="checkbox"/> Patent family members are listed in annex.   |   |   |   |   |
| ° Special categories of cited documents :  |   |   |   |   |
| <table style="width: 100%; border: none;"> <tr> <td style="width: 50%; border: none; vertical-align: top;">                     *A* document defining the general state of the art which is not considered to be of particular relevance<br/>                     *E* earlier document but published on or after the international filing date<br/>                     *L* document which may throw doubts on priority claim(s) or which is cited to establish the publication date of another citation or other special reason (as specified)<br/>                     *O* document referring to an oral disclosure, use, exhibition or other means<br/>                     *P* document published prior to the international filing date but later than the priority date claimed                 </td> <td style="width: 50%; border: none; vertical-align: top;">                     *T* later document published after the international filing date or priority date and not in conflict with the application but cited to understand the principle or theory underlying the invention<br/>                     *X* document of particular relevance; the claimed invention cannot be considered novel or cannot be considered to involve an inventive step when the document is taken alone<br/>                     *Y* document of particular relevance; the claimed invention cannot be considered to involve an inventive step when the document is combined with one or more other such documents, such combination being obvious to a person skilled in the art.<br/>                     *&amp;* document member of the same patent family                 </td> </tr> </table> |   |   | *A* document defining the general state of the art which is not considered to be of particular relevance<br>*E* earlier document but published on or after the international filing date<br>*L* document which may throw doubts on priority claim(s) or which is cited to establish the publication date of another citation or other special reason (as specified)<br>*O* document referring to an oral disclosure, use, exhibition or other means<br>*P* document published prior to the international filing date but later than the priority date claimed | *T* later document published after the international filing date or priority date and not in conflict with the application but cited to understand the principle or theory underlying the invention<br>*X* document of particular relevance; the claimed invention cannot be considered novel or cannot be considered to involve an inventive step when the document is taken alone<br>*Y* document of particular relevance; the claimed invention cannot be considered to involve an inventive step when the document is combined with one or more other such documents, such combination being obvious to a person skilled in the art.<br>*&* document member of the same patent family |
| *A* document defining the general state of the art which is not considered to be of particular relevance<br>*E* earlier document but published on or after the international filing date<br>*L* document which may throw doubts on priority claim(s) or which is cited to establish the publication date of another citation or other special reason (as specified)<br>*O* document referring to an oral disclosure, use, exhibition or other means<br>*P* document published prior to the international filing date but later than the priority date claimed  | *T* later document published after the international filing date or priority date and not in conflict with the application but cited to understand the principle or theory underlying the invention<br>*X* document of particular relevance; the claimed invention cannot be considered novel or cannot be considered to involve an inventive step when the document is taken alone<br>*Y* document of particular relevance; the claimed invention cannot be considered to involve an inventive step when the document is combined with one or more other such documents, such combination being obvious to a person skilled in the art.<br>*&* document member of the same patent family |   |   |   |
| Date of the actual completion of the international search<br><br><p style="text-align: center; font-size: 1.2em;">12 April 2002</p>  |   | Date of mailing of the international search report<br><br><p style="text-align: center; font-size: 1.2em;">22/04/2002</p> |   |   |
| Name and mailing address of the ISA<br>European Patent Office, P.B. 5818 Patentlaan 2<br>NL - 2280 HV Rijswijk<br>Tel. (+31-70) 340-2040, Tx. 31 651 epo nl,<br>Fax: (+31-70) 340-3016   |   | Authorized officer<br><br><p style="text-align: center; font-size: 1.2em;">Czarik, D</p>                                  |   |   |

# INTERNATIONAL SEARCH REPORT

Information on patent family members

International Application No

PCT/US 01/41798

| Patent document cited in search report | A | Publication date |    | Patent family member(s) | Publication date |
|--|---|------------------|----|-------------------------|------------------|
| EP 0974978                             | A | 26-01-2000       | KR | 270959 B1               | 01-11-2000       |
|  |   |                  | EP | 0974978 A1              | 26-01-2000       |
|  |   |                  | JP | 2000040372 A            | 08-02-2000       |
|  |   |                  |    |                         |                  |
| US 6094399                             | A | 25-07-2000       | US | 5875151 A               | 23-02-1999       |
|  |   |                  | US | 5838631 A               | 17-11-1998       |
|  |   |                  | US | 6249480 B1              | 19-06-2001       |
|  |   |                  | US | 6343047 B1              | 29-01-2002       |
|  |   |                  | US | 5841732 A               | 24-11-1998       |
|  |   |                  | US | 5828606 A               | 27-10-1998       |
|  |   |                  |    |                         |                  |