

(19) World Intellectual Property
Organization
International Bureau



(43) International Publication Date
26 February 2004 (26.02.2004)

PCT

(10) International Publication Number
WO 2004/016152 A3

(51) International Patent Classification⁷: A61M 37/00,
1/00, G01N 23/12, H01J 37/00

(21) International Application Number:
PCT/US2003/025519

(22) International Filing Date: 13 August 2003 (13.08.2003)

(25) Filing Language: English

(26) Publication Language: English

(30) Priority Data:
10/219,656 14 August 2002 (14.08.2002) US

(71) Applicant and

(72) Inventor: CLARK, Robert, E. [US/US]; 1633 East Clark
Road, Lansing, MI 48906 (US).

(74) Agents: SAMLAN, Alan, B. et al.; Knechtel, Demeur &
Samlan, 222 South Riverside Plaza, Suite 1410, Chicago,
IL 60606 (US).

(81) Designated States (national): AE, AG, AL, AM, AT, AU,
AZ, BA, BB, BG, BR, BY, BZ, CA, CH, CN, CO, CR, CU,

CZ, DE, DK, DM, DZ, EE, ES, FI, GB, GD, GE, GH, GM,
HR, HU, ID, IL, IN, IS, JP, KE, KG, KP, KR, KZ, LC, LK,
LR, LS, LT, LU, LV, MA, MD, MG, MK, MN, MW, MX,
MZ, NO, NZ, PL, PT, RO, RU, SD, SE, SG, SK, SL, TJ,
TM, TR, TT, TZ, UA, UG, US, UZ, VN, YU, ZA, ZW.

(84) Designated States (regional): ARIPO patent (GH, GM,
KE, LS, MW, MZ, SD, SL, SZ, TZ, UG, ZM, ZW),
Eurasian patent (AM, AZ, BY, KG, KZ, MD, RU, TJ, TM),
European patent (AT, BE, BG, CH, CY, CZ, DE, DK, EE,
ES, FI, FR, GB, GR, HU, IE, IT, LU, MC, NL, PT, RO,
SE, SI, SK, TR), OAPI patent (BF, BJ, CF, CG, CI, CM,
GA, GN, GQ, GW, ML, MR, NE, SN, TD, TG).

Published:

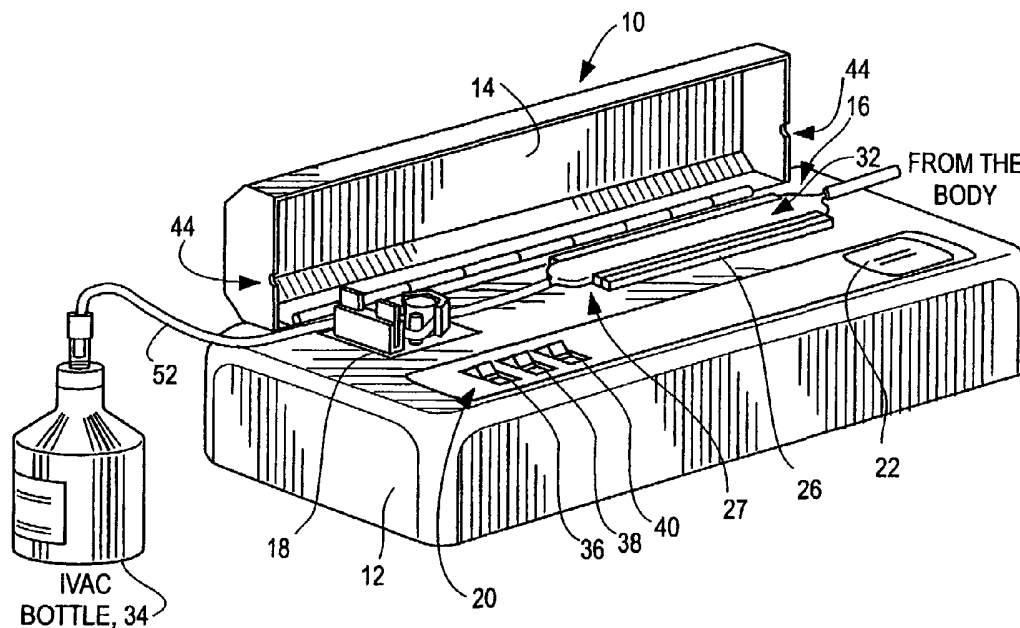
- with international search report
- before the expiration of the time limit for amending the
claims and to be republished in the event of receipt of
amendments

(88) Date of publication of the international search report:
14 October 2004

(15) Information about Correction:

[Continued on next page]

(54) Title: HEMO-AIDE



(57) Abstract: An apparatus and method for modifying viruses and bacteria in a closed loop system that irradiates the fluid multiple times through the same channel. The apparatus consists of a cuvette, an irradiation station, a peristaltic pump and a bottle. A plurality of power control switches controls the operation of the apparatus. This includes an on/off power switch, an on/off pump control, and an ultraviolet light control switch. A timer is provided to regulate the time period the cuvette is exposed to the ultraviolet radiation within the irradiation station. A cover is provided to enable the cuvette to be used and exposed to ultraviolet radiation within an enclosed environment.

WO 2004/016152 A3



Previous Correction:

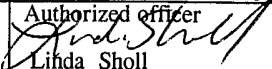
see PCT Gazette No. 23/2004 of 3 June 2004, Section II

For two-letter codes and other abbreviations, refer to the "Guidance Notes on Codes and Abbreviations" appearing at the beginning of each regular issue of the PCT Gazette.

INTERNATIONAL SEARCH REPORT

International application No.

PCT/US03/25519

A. CLASSIFICATION OF SUBJECT MATTER		
IPC(7) : A61M 37/00, 1/00; G01N 23/12; H01J 37/00		
US CL : 604/6.08, 604/4.01; 422/44; 250/432R; 428/455.11; 435/436		
According to International Patent Classification (IPC) or to both national classification and IPC		
B. FIELDS SEARCHED		
Minimum documentation searched (classification system followed by classification symbols) U.S. : 604/6.08, 604/4.01; 422/44; 250/432R; 428/455.11; 435/436		
Documentation searched other than minimum documentation to the extent that such documents are included in the fields searched NONE		
Electronic data base consulted during the international search (name of data base and, where practicable, search terms used) EAST		
C. DOCUMENTS CONSIDERED TO BE RELEVANT		
Category *	Citation of document, with indication, where appropriate, of the relevant passages	Relevant to claim No.
X	US 6,113,566 A (SCHLEICHER) 05 September 2000 (05.09.2000), See the entire document.	1-6 and 9-14
A	US 5,150,705 A (STINSON) 29 September 1992 (29.09.1992), See the entire document.	1-17
A	US 5,770,147 A (MULLER) 23 June 1998 (23.06.1998), See the entire document.	1-17
A	US 5,304,113 A (SIEBER et al.) 19 April 1994 (19.04.1994), See the entire document.	1-17
<input type="checkbox"/> Further documents are listed in the continuation of Box C. <input type="checkbox"/> See patent family annex.		
* Special categories of cited documents:		
"A" document defining the general state of the art which is not considered to be of particular relevance "E" earlier application or patent published on or after the international filing date "L" document which may throw doubts on priority claim(s) or which is cited to establish the publication date of another citation or other special reason (as specified) "O" document referring to an oral disclosure, use, exhibition or other means "P" document published prior to the international filing date but later than the priority date claimed	"T" "X" "Y" "&"	later document published after the international filing date or priority date and not in conflict with the application but cited to understand the principle or theory underlying the invention document of particular relevance; the claimed invention cannot be considered novel or cannot be considered to involve an inventive step when the document is taken alone document of particular relevance; the claimed invention cannot be considered to involve an inventive step when the document is combined with one or more other such documents, such combination being obvious to a person skilled in the art document member of the same patent family
Date of the actual completion of the international search		Date of mailing of the international search report
22 June 2004 (22.06.2004)		02 SEP 2004
Name and mailing address of the ISA/US Mail Stop PCT, Attn: ISA/US Commissioner for Patents P.O. Box 1450 Alexandria, Virginia 22313-1450 Facsimile No. (703) 305-3230		Authorized officer  Linda Sholl Telephone No. 703 308 1148