

(19) World Intellectual Property Organization  
International Bureau



(43) International Publication Date  
20 April 2006 (20.04.2006)

PCT

(10) International Publication Number  
WO 2006/042121 A3

- (51) International Patent Classification:  
A47C 27/00 (2006.01) A47C 31/00 (2006.01)
- (21) International Application Number:  
PCT/US2005/036174
- (22) International Filing Date: 6 October 2005 (06.10.2005)
- (25) Filing Language: English
- (26) Publication Language: English
- (30) Priority Data:  
60/616,556 6 October 2004 (06.10.2004) US
- (71) Applicant (for all designated States except US): SURE  
FIT INC. [US/US]; 939 Marcon Boulevard, Allentown,  
PA 18109 (US).
- (72) Inventor; and
- (75) Inventor/Applicant (for US only): MILLER, Brenda,  
Kay [US/US]; 2999 Rauchtown Road, Jersey Shore, PA  
17740 (US).
- (74) Agents: FIELDS, Paul et al.; Darby & Darby P.C., P.O.  
Box 5257, New York, NY 10150-5257 (US).

- (81) Designated States (unless otherwise indicated, for every  
kind of national protection available): AE, AG, AL, AM,  
AT, AU, AZ, BA, BB, BG, BR, BW, BY, BZ, CA, CH, CN,  
CO, CR, CU, CZ, DE, DK, DM, DZ, EC, EE, EG, ES, FI,  
GB, GD, GE, GH, GM, HR, HU, ID, IL, IN, IS, JP, KE,  
KG, KM, KP, KR, KZ, LC, LK, LR, LS, LT, LU, LV, LY,  
MA, MD, MG, MK, MN, MW, MX, MZ, NA, NG, NI, NO,  
NZ, OM, PG, PH, PL, PT, RO, RU, SC, SD, SE, SG, SK,  
SL, SM, SY, TJ, TM, TN, TR, TT, TZ, UA, UG, US, UZ,  
VC, VN, YU, ZA, ZM, ZW.
- (84) Designated States (unless otherwise indicated, for every  
kind of regional protection available): ARIPO (BW, GH,  
GM, KE, LS, MW, MZ, NA, SD, SL, SZ, TZ, UG, ZM,  
ZW), Eurasian (AM, AZ, BY, KG, KZ, MD, RU, TJ, TM),  
European (AT, BE, BG, CH, CY, CZ, DE, DK, EE, ES, FI,  
FR, GB, GR, HU, IE, IS, IT, LT, LU, LV, MC, NL, PL, PT,  
RO, SE, SI, SK, TR), OAPI (BF, BJ, CF, CG, CI, CM, GA,  
GN, GQ, GW, ML, MR, NE, SN, TD, TG).

Published:

— with international search report

(88) Date of publication of the international search report:  
23 April 2009

(54) Title: SEMI-CUSTOM FIT SLIPCOVER

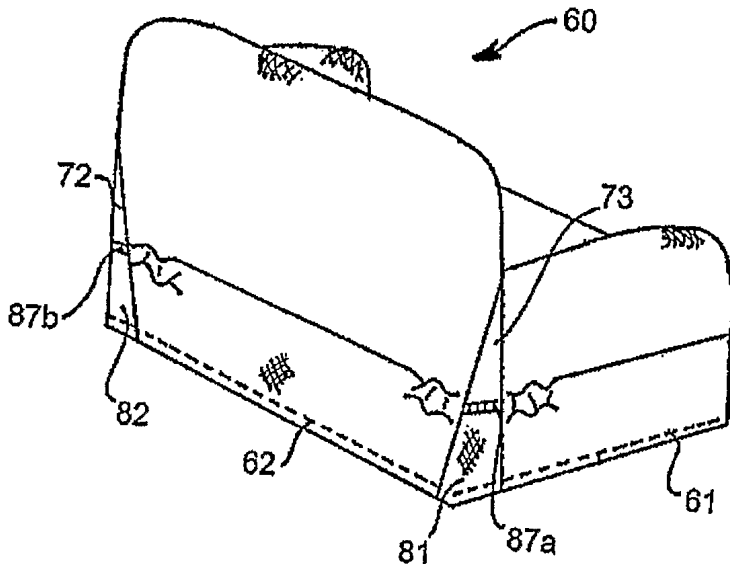


FIG. 6A

(57) Abstract: A slipcover for a piece of furniture including a base, a back, first and second arms, and a seat portion. The slipcover has back pleats located at the respective back corners and having pleated seams and elastic, which runs through the pleated seams and travels across the back pleats for allowing the slipcover to expand over the largest perimeter of the furniture and then relax to fit the base of the furniture as the slipcover is placed on the furniture. First and second arm fronts cover respective top front portions of the first and second arms. A wrap skirt covers respective bottom portions of the first and second arms.

WO 2006/042121 A3

**INTERNATIONAL SEARCH REPORT**

International application No.

PCT/US05/36174

**A. CLASSIFICATION OF SUBJECT MATTER**  
 IPC: A47C 27/00( 2006.01),31/00( 2006.01)

USPC: 297/224,225,228  
 According to International Patent Classification (IPC) or to both national classification and IPC

**B. FIELDS SEARCHED**

Minimum documentation searched (classification system followed by classification symbols)  
 U.S. : 297/224,225,228,228.1,229;150/158,165

Documentation searched other than minimum documentation to the extent that such documents are included in the fields searched

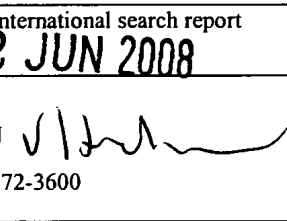
Electronic data base consulted during the international search (name of data base and, where practicable, search terms used)

**C. DOCUMENTS CONSIDERED TO BE RELEVANT**

Category *	Citation of document, with indication, where appropriate, of the relevant passages	Relevant to claim No.
Y	US 2004/0017101 A1 (Illulian) 29 January 2004 (29.01.2004), paragraphs 0018-0025	1,3-12,14-23,25-33
Y	US 2004/0155497 A1 (RILEY et al.) 12 August 2004. (12.08.2004), paragraphs 0044-0049	1,12,23
Y	US 2,921,625 (KRASNOV et al.) 25 January 1954 (25.01.1954), col. 2, lines 36-45. col. 4, lines 20-40.	4,6-8,15,17-18,26,28-30
Y	US 2,416,806 (WARANCH) 08 August 1944 (08.08.1944), col. 3, lines 57-75; col. 4, lines 1-19.	10-11,21-22,32-33

Further documents are listed in the continuation of Box C.       See patent family annex.

* Special categories of cited documents:	"T"	later document published after the international filing date or priority date and not in conflict with the application but cited to understand the principle or theory underlying the invention
"A" document defining the general state of the art which is not considered to be of particular relevance	"X"	document of particular relevance; the claimed invention cannot be considered novel or cannot be considered to involve an inventive step when the document is taken alone
"E" earlier application or patent published on or after the international filing date	"Y"	document of particular relevance; the claimed invention cannot be considered to involve an inventive step when the document is combined with one or more other such documents, such combination being obvious to a person skilled in the art
"L" document which may throw doubts on priority claim(s) or which is cited to establish the publication date of another citation or other special reason (as specified)	"&"	document member of the same patent family
"O" document referring to an oral disclosure, use, exhibition or other means		
"P" document published prior to the international filing date but later than the priority date claimed		

Date of the actual completion of the international search 14 March 2008 (14.03.2008)	Date of mailing of the international search report <b>12 JUN 2008</b>
Name and mailing address of the ISA/US Mail Stop PCT, Attn: ISA/US Commissioner of Patents P.O. Box 1450 Alexandria, Virginia 22313-1450 Facsimile No. (571) 273-3201	Authorized officer KAITLIN A. WILSON  Telephone No. (571)-272-3600