

(19) World Intellectual Property Organization
International Bureau



(43) International Publication Date
5 January 2012 (05.01.2012)

PCT

(10) International Publication Number
WO 2012/003261 A3

- (51) **International Patent Classification:**
B60K 17/22 (2006.01) *F16D 3/20* (2006.01)
- (21) **International Application Number:**
PCT/US201 1/042498
- (22) **International Filing Date:**
30 June 201 1 (30.06.201 1)
- (25) **Filing Language:** English
- (26) **Publication Language:** English
- (30) **Priority Data:**
61/360,276 30 June 2010 (30.06.2010) US
13/170,547 28 June 201 1 (28.06.201 1) US
- (71) **Applicant (for all designated States except US):** AMERICAN AXLE & MANUFACTURING, INC. [US/US];
One Dauch Drive, Detroit, Michigan 4821 1 (US).
- (72) **Inventors; and**
- (75) **Inventors/Applicants (for US only):** CONGER, Jonathan, David [US/US]; 221 1 Cambridge, Berkley, Michigan 48072 (US). SRINIVASAN, Arvind [CA/US]; 3703 Timbercrest, Troy, Michigan 48083 (US). SEIDEL, Richard, Lawrence [US/US]; 48558 Declaration Drive, Macomb, Michigan 48044 (US).
- (74) **Agents:** ZALOBSKY, Michael, D. et al; Harness, Dickey & Pierce, P.L.C., P.O. Box 828, Bloomfield Hills, Michigan 48303 (US).
- (81) **Designated States (unless otherwise indicated, for every kind of national protection available):** AE, AG, AL, AM, AO, AT, AU, AZ, BA, BB, BG, BH, BR, BW, BY, BZ, CA, CH, CL, CN, CO, CR, CU, CZ, DE, DK, DM, DO,

DZ, EC, EE, EG, ES, FI, GB, GD, GE, GH, GM, GT, HN, HR, HU, ID, IL, IN, IS, JP, KE, KG, KM, KN, KP, KR, KZ, LA, LC, LK, LR, LS, LT, LU, LY, MA, MD, ME, MG, MK, MN, MW, MX, MY, MZ, NA, NG, NI, NO, NZ, OM, PE, PG, PH, PL, PT, RO, RS, RU, SC, SD, SE, SG, SK, SL, SM, ST, SV, SY, TH, TJ, TM, TN, TR, TT, TZ, UA, UG, US, UZ, VC, VN, ZA, ZM, ZW.

(84) **Designated States (unless otherwise indicated, for every kind of regional protection available):** ARIPO (BW, GH, GM, KE, LR, LS, MW, MZ, NA, SD, SL, SZ, TZ, UG, ZM, ZW), Eurasian (AM, AZ, BY, KG, KZ, MD, RU, TJ, TM), European (AL, AT, BE, BG, CH, CY, CZ, DE, DK, EE, ES, FI, FR, GB, GR, HR, HU, IE, IS, IT, LT, LU, LV, MC, MK, MT, NL, NO, PL, PT, RO, RS, SE, SI, SK, SM, TR), OAPI (BF, BJ, CF, CG, CI, CM, GA, GN, GQ, GW, ML, MR, NE, SN, TD, TG).

Declarations under Rule 4.17:

- as to applicant's entitlement to apply for and be granted a patent (Rule 4.17(H))
- as to the applicant's entitlement to claim the priority of the earlier application (Rule 4.17(Hi))

Published:

- with international search report (Art. 21(3))
- before the expiration of the time limit for amending the claims and to be republished in the event of receipt of amendments (Rule 48.2(h))

(88) **Date of publication of the international search report:**
26 April 2012

(54) **Title:** CONSTANT VELOCITY JOINT WITH QUICK CONNECTOR AND METHOD

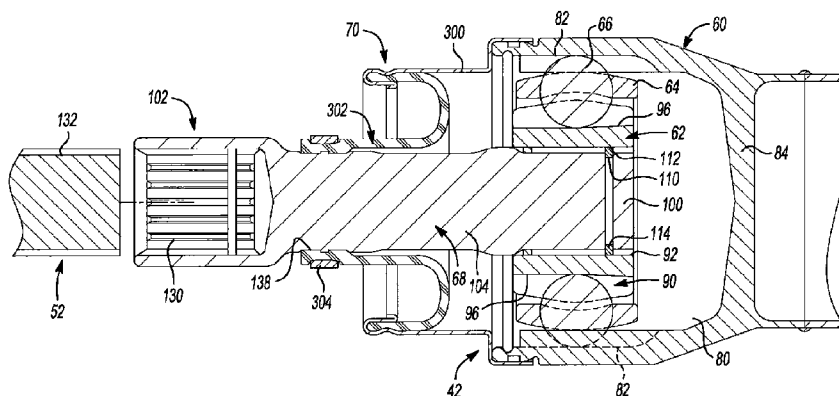


Fig-2

(57) **Abstract:** A shaft assembly that includes a propshaft member and a constant velocity joint. The constant velocity joint has an outer race, which is coupled for rotation with the propshaft member, an inner race, a plurality of bearing balls disposed between the outer and inner races to transmit rotary power therebetween, a shaft member coupled for rotation with the inner race, and a boot assembly that is sealingly engaged to the outer race and the shaft member. The shaft member defines a coupling portion that extends from the boot assembly. A method for coupling a shaft member to a driveline component is also provided.



WO 2012/003261 A3

INTERNATIONAL SEARCH REPORT

International application No.
PCT/US2011/042498**A. CLASSIFICATION OF SUBJECT MATTER*****B60K 17/22(2006.01); F16D 3/20(2006.01)I***

According to International Patent Classification (IPC) or to both national classification and IPC

B. FIELDS SEARCHED

Minimum documentation searched (classification system followed by classification symbols)

B60K 17/22; F16D 3/223; F16D 3/227; F16D 3/84; F16J 15/16; F16D 3/226; F16D 3/22

Documentation searched other than minimum documentation to the extent that such documents are included in the fields searched

Korean utility models and applications for utility models

Japanese utility models and applications for utility models

Electronic data base consulted during the international search (name of data base and, where practicable, search terms used)

eKOMPASS(KIPO internal) & Keywords: shaft, constant, velocity, joint, race, balls, boot, seal, spline.

C. DOCUMENTS CONSIDERED TO BE RELEVANT

Category *	Citation of document, with indication, where appropriate, of the relevant passages	Relevant to claim No.
X	JP 2009-085380 A (NTN CORP) 23 April 2009 See paragraph [0029] - paragraph [0058] ; claim 1 and figure 1.	1-14
A	US 2010-0105488 A1 (WORMSBAECHER HANS et al.) 29 April 2010 See paragraph [0014] - paragraph [0027] ; claim 1 and figure 2.	1-14
A	JP 2003-056590 A (NTN CORP) 26 February 2003 See paragraph [0012] - paragraph [0042] ; claim 1 and figure 1.	1-14
A	wo 2006-091906 A1 (DELPHI TECHNOLOGIES, INC. et al.) 31 August 2006 See paragraph [0018] - paragraph [0031] ; claim 1 and figures 1-4 .	1-14

 Further documents are listed in the continuation of Box C. See patent family annex.

* Special categories of cited documents:

"A" document defining the general state of the art which is not considered to be of particular relevance

"E" earlier application or patent but published on or after the international filing date

"L" document which may throw doubts on priority claim(s) or which is cited to establish the publication date of citation or other special reason (as specified)

"O" document referring to an oral disclosure, use, exhibition or other means

"P" document published prior to the international filing date but later than the priority date claimed

"T" later document published after the international filing date or priority date and not in conflict with the application but cited to understand the principle or theory underlying the invention

"X" document of particular relevance; the claimed invention cannot be considered novel or cannot be considered to involve an inventive step when the document is taken alone

"Y" document of particular relevance; the claimed invention cannot be considered to involve an inventive step when the document is combined with one or more other such documents, such combination being obvious to a person skilled in the art

"&" document member of the same patent family

Date of the actual completion of the international search

27 FEBRUARY 2012 (27.02.2012)

Date of mailing of the international search report

27 FEBRUARY 2012 (27.02.2012)

Name and mailing address of the ISA/KR

Korean Intellectual Property Office
Government Complex-Daejeon, 189 Cheongsu-ro,
Seo-gu, Daejeon 302-701, Republic of Korea

Facsimile No. 82-42-472-7140

Authorized officer

CHO, Jihun

Telephone No. 82-42-481-5518



INTERNATIONAL SEARCH REPORT

Information on patent family members

International application No.

PCT/US201 1/042498

Patent document cited in search report	Publication date	Patent family member(s)	Publication date
JP 2009-085380 A	23.04.2009	None	
US 2010--0 105488 A1	29.04.2010	DE 1 12007003403 T5 KR 10-20 10-00 161 13 A Wo 2008- 123877 A1	18.02.2010 12.02.2010 16.10.2008
JP 2003--056590 A	26.02.2003	JP 04-245849 B2 JP 2002-33 1842 A JP 2002-372067 A us 2002-0187841 A1 us 6913540 B2	02.04.2009 19.11.2002 26.12.2002 12.12.2002 05.07.2005
Wo 2006--09 1906 A1	31.08.2006	EP 1869335 A1 US 2006-0189396 A1	26.12.2007 24.08.2006