



US00D800532S

(12) **United States Design Patent**
O'Brien

(10) **Patent No.:** **US D800,532 S**

(45) **Date of Patent:** **** Oct. 24, 2017**

- (54) **HINGE**
- (71) Applicant: **TSI Products, Inc.**, Arlington, TX (US)
- (72) Inventor: **Stephen William O'Brien**, Fort Worth, TX (US)
- (73) Assignee: **TSI Products, Inc.**, Arlington, TX (US)
- (**) Term: **15 Years**

D649,009 S *	11/2011	Caffin	D8/323
8,151,414 B2 *	4/2012	Baudasse	B64G 1/222 16/227
D661,173 S *	6/2012	Caffin	D8/323
D673,024 S *	12/2012	Caffin	D8/323
D679,570 S *	4/2013	Farnsworth	D8/323
D699,093 S *	2/2014	Farnsworth	D8/323
D748,451 S *	2/2016	Tung	D8/328
D789,172 S *	6/2017	Tomizawa	D8/328

* cited by examiner

Primary Examiner — Cynthia Underwood

(74) *Attorney, Agent, or Firm* — Hitchcock Evert LLP

- (21) Appl. No.: **29/586,745**
- (22) Filed: **Dec. 6, 2016**
- (51) **LOC (10) Cl.** **08-06**
- (52) **U.S. Cl.**
USPC **D8/323**
- (58) **Field of Classification Search**
USPC D8/323, 340, 343, 333, 325, 329, 336;
292/264; 16/387, 382, 281, 386, 211
CPC E05D 1/04; E05D 11/1014; E05B 73/007;
E05B 65/50; E05C 17/365; E05C 17/36;
E05C 17/025; B21D 53/40
See application file for complete search history.

(57) **CLAIM**

The ornamental design for a hinge, design as shown and described.

DESCRIPTION

FIG. 1 is a perspective view from the top-left of the hinge; FIG. 2 is a front view thereof; FIG. 3 is a back view thereof; FIG. 4 is a right side view thereof; FIG. 5 is a left side view thereof; FIG. 6 is a top view thereof; FIG. 7 is a bottom view thereof; and, FIG. 8 is a perspective view from the bottom-left of the hinge.

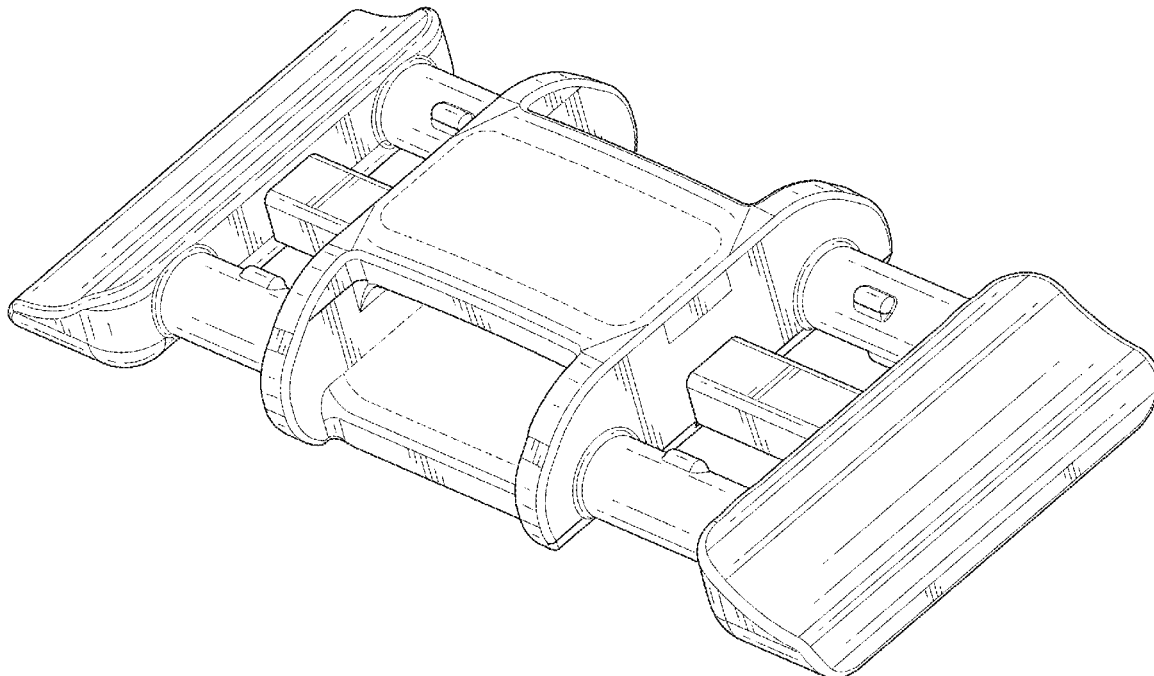
The features shown in broken lines are for the purpose of illustrating portions of the article that form no part of the claimed design.

1 Claim, 6 Drawing Sheets

(56) **References Cited**

U.S. PATENT DOCUMENTS

5,079,798 A *	1/1992	Burke	E05D 5/0246 16/252
5,412,842 A *	5/1995	Riblett	E05D 5/12 16/250
D372,852 S *	8/1996	Noll	D8/328
D436,515 S *	1/2001	Sonntag	D8/328



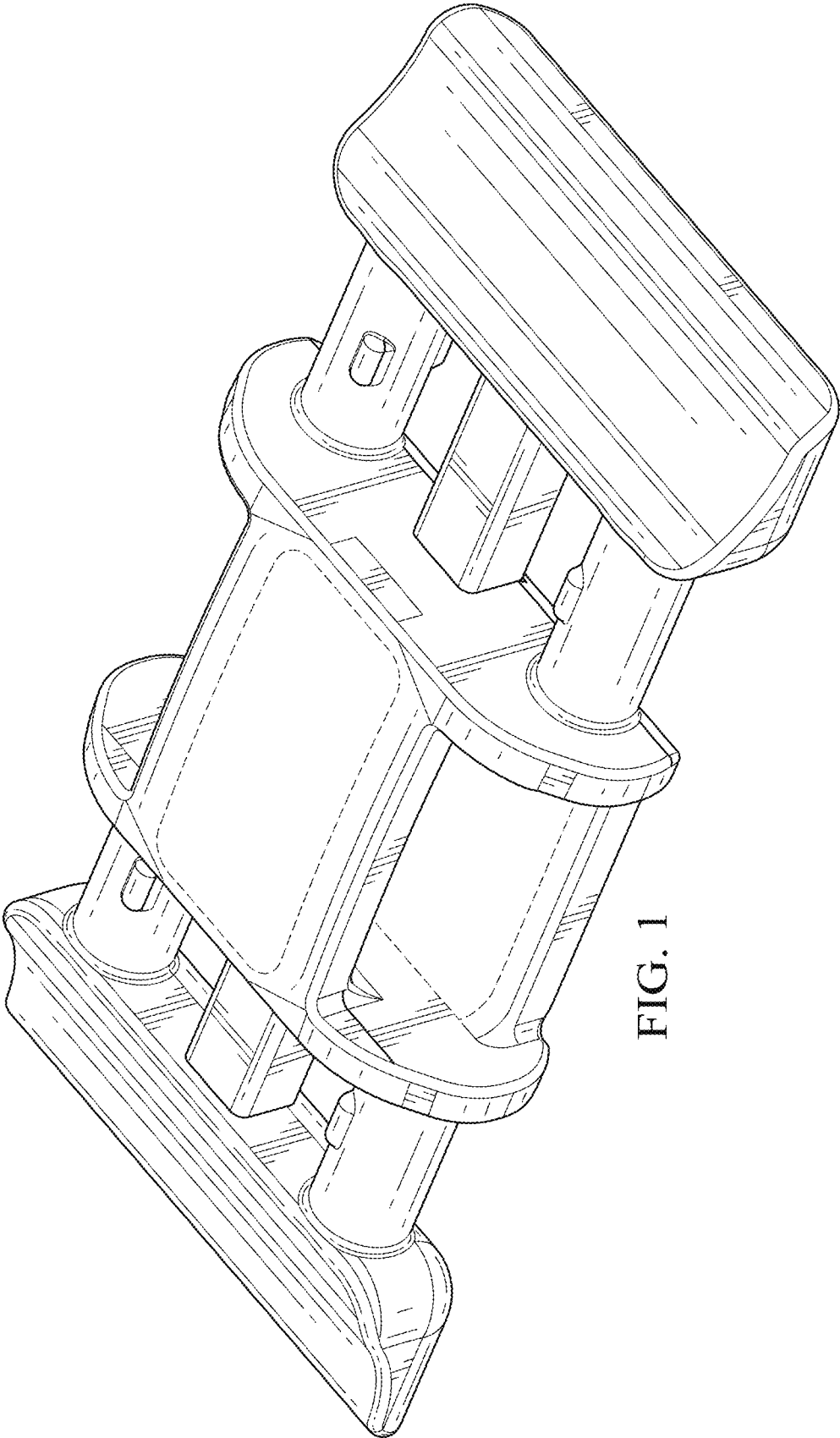


FIG. 1

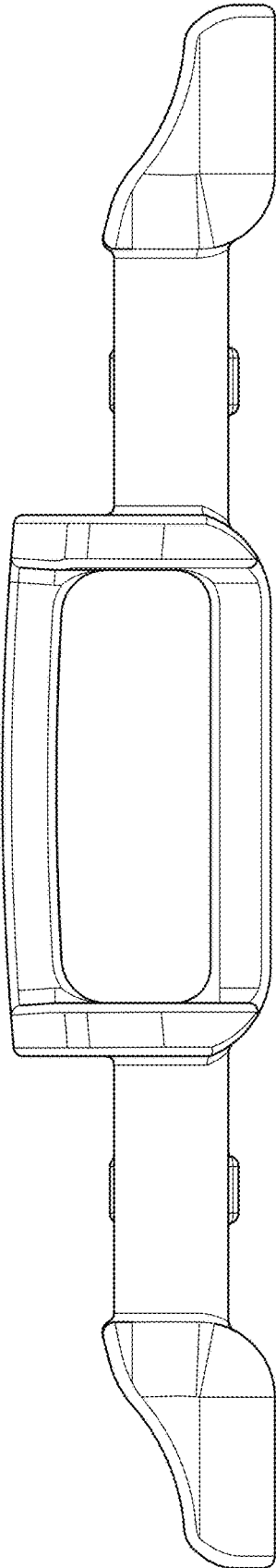


FIG. 2

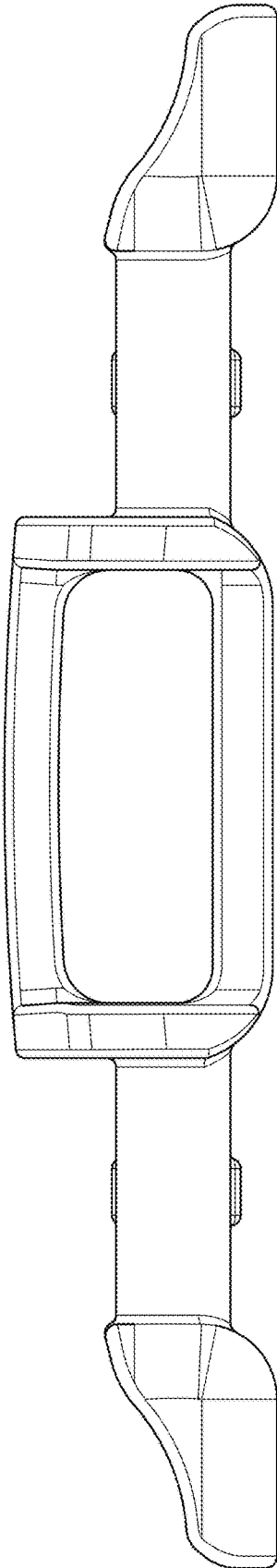


FIG. 3

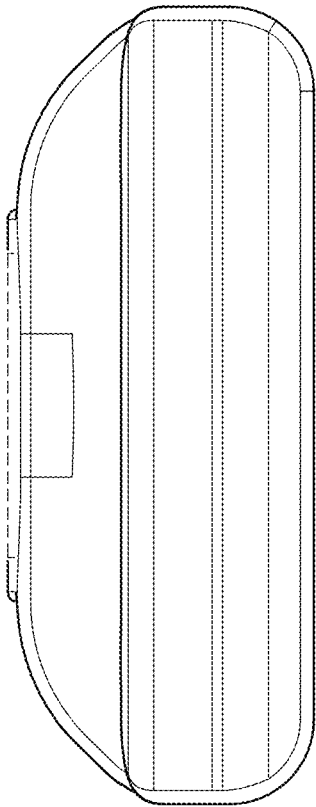


FIG. 4

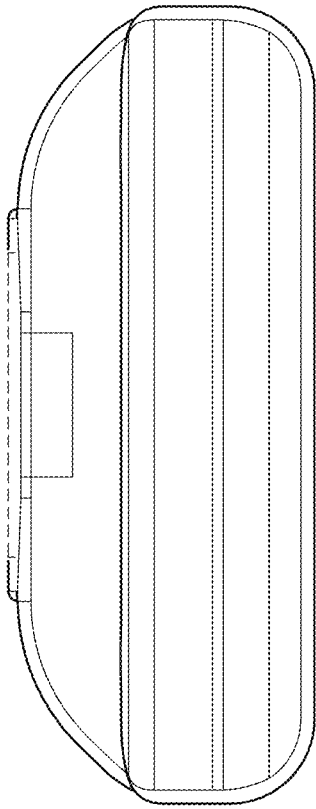


FIG. 5

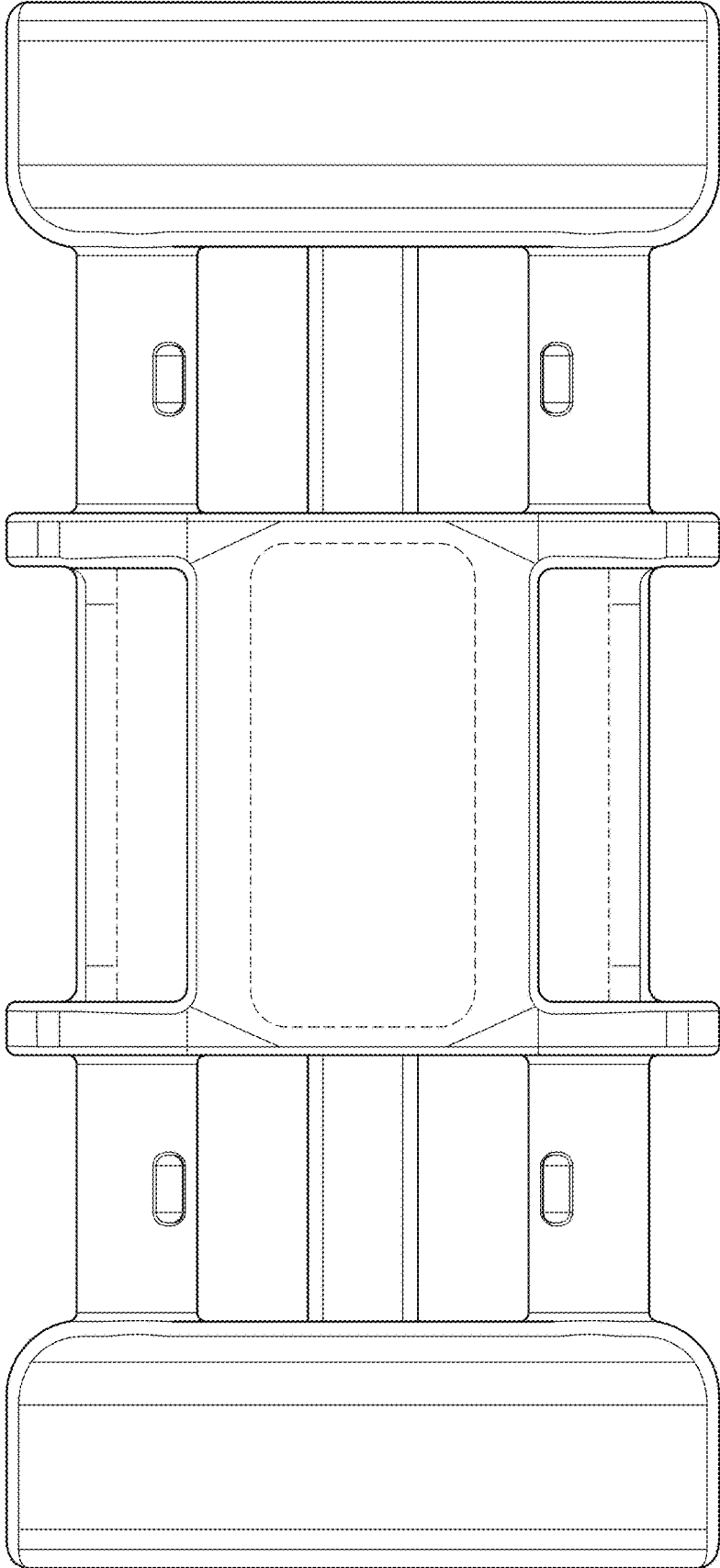


FIG. 6

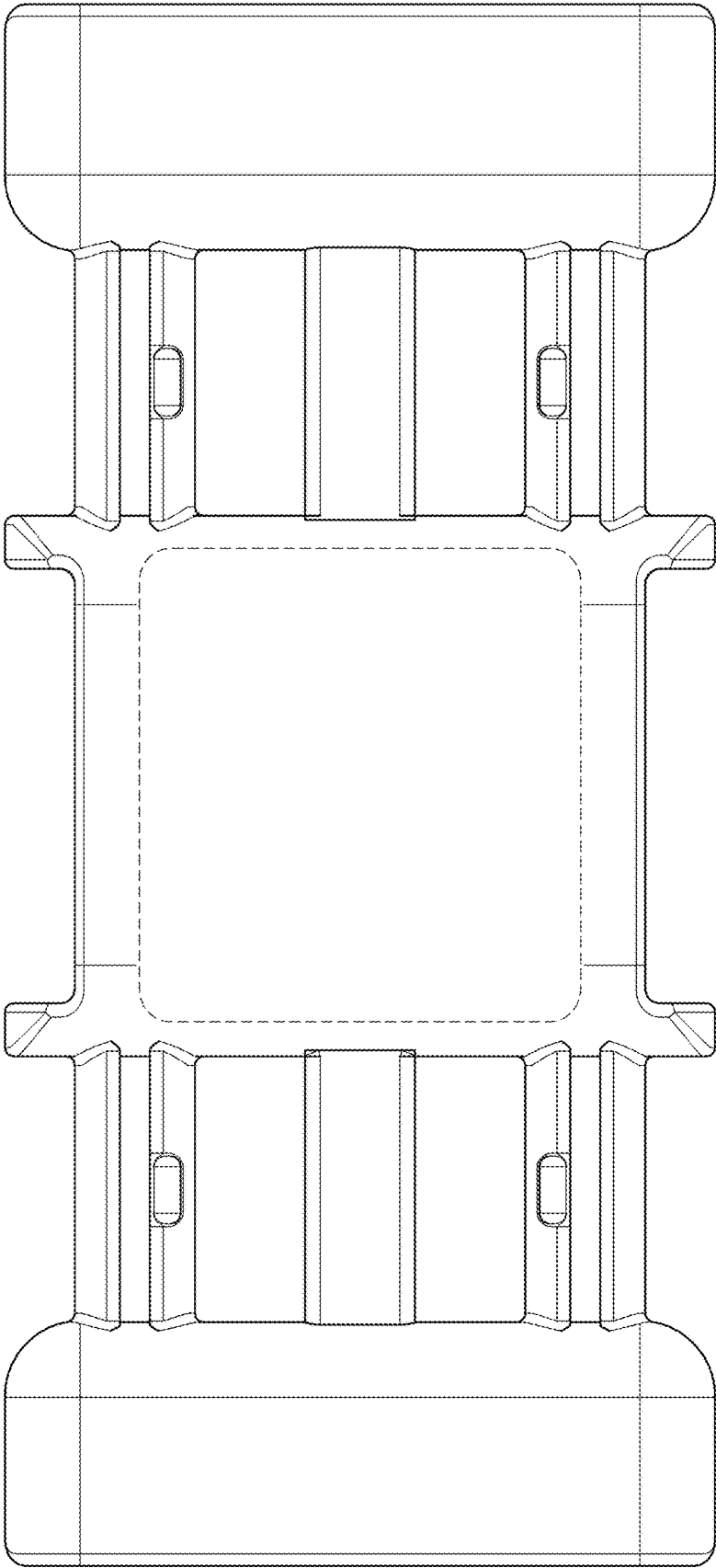


FIG. 7

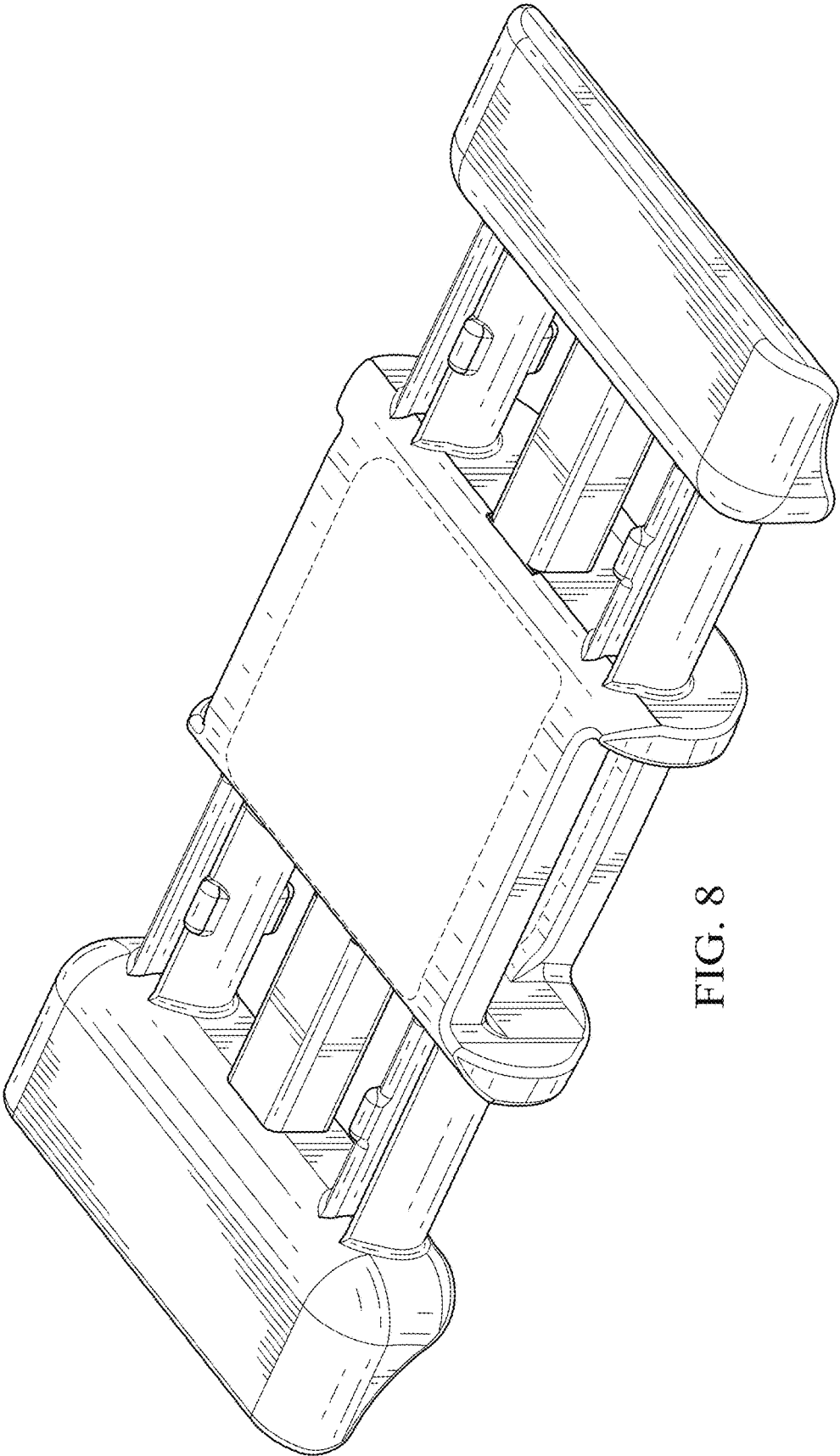


FIG. 8