



US00D995264S

(12) **United States Design Patent**
Ahlström et al.

(10) **Patent No.:** **US D995,264 S**

(45) **Date of Patent:** **** Aug. 15, 2023**

(54) **LATCH**

FOREIGN PATENT DOCUMENTS

(71) Applicant: **Dometic Sweden AB**, Solna (SE)

AU 201712770 5/2017
AU 201712799 ‡ 5/2017

(72) Inventors: **Joakim Ahlström**, Täby (SE); **Samuele Meda**, Solna (SE)

(Continued)

(73) Assignee: **Dometic Sweden AB**, Solna (SE)

OTHER PUBLICATIONS

(**) Term: **15 Years**

China Patent Application No. 201780072126.1 filed May 22, 2019 entitled “Cooler” ‡

(21) Appl. No.: **29/708,155**

(Continued)

(22) Filed: **Oct. 3, 2019**

Primary Examiner — Michael A. Pratt

(74) *Attorney, Agent, or Firm* — Dinsmore & Shohl LLP

Related U.S. Application Data

(62) Division of application No. 29/585,279, filed on Nov. 22, 2016.

(51) **LOC (14) Cl.** **08-07**

(52) **U.S. Cl.**

USPC **D8/331**

(58) **Field of Classification Search**

USPC D8/330, 331, 333, 339, 343, 344, 345,
D8/349, 354, 355, 356, 367, 382;
D7/397–401, 309–311, 306, 605, 392.1,
D7/392.2, 316–319, 300, 665, 312, 313,
D7/510, 511, 536; 70/49, 58, DIG. 63,
70/DIG. 354, 30, 51, 52, 57, 57.1, 141,
70/431, 465, 466, 29, 63–76, 78, DIG. 31

(Continued)

(57) **CLAIM**

The ornamental design for a latch, as shown and described.

DESCRIPTION

Cross-reference is made to U.S. Design patent App. Ser. No. 29/585.272 titled “Cooler.” filed Nov. 22, 2016, and U.S. utility patent App. Ser. No. 15/819,950 titled “Cooler”, filed Nov. 21, 2017, all of which are expressly incorporated herein by reference.

FIG. 1 is a front perspective view of a first embodiment of a latch design;

FIG. 2 is a front elevation view of the design of FIG. 1;

FIG. 3 is a rear elevation view of the design of FIG. 1;

FIG. 4 is a left side elevation view of the design of FIG. 1, with the right side elevation view being a mirror image of FIG. 4;

FIG. 5 is a top plan view of the design of FIG. 1;

FIG. 6 is a bottom plan view of the design of FIG. 1; and, FIG. 7 is a front perspective view of a second embodiment of a latch design.

The broken lines shown in the latch are for portions that forms no part of the claimed design.

(56)

References Cited

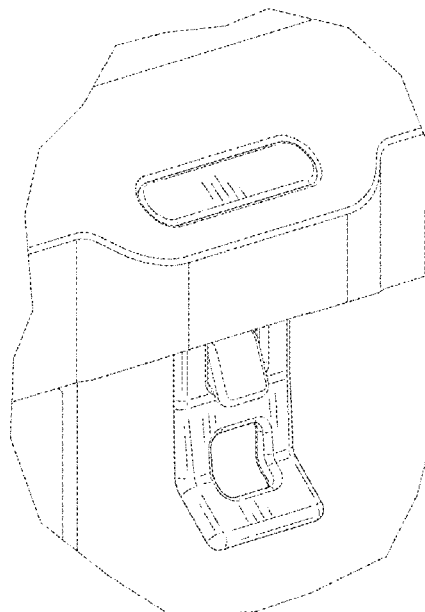
U.S. PATENT DOCUMENTS

2,734,353 A ‡ 2/1956 Hill, II B60H 1/3222
62/323

3,894,405 A ‡ 7/1975 Mieltz F04B 3/003
62/241

(Continued)

1 Claim, 7 Drawing Sheets



(56)

References Cited

U.S. PATENT DOCUMENTS

9,282,797 B1 3/2016 Soto
 9,297,548 B2 † 3/2016 Mijanovic B60H 1/00885
 9,320,938 B1 † 4/2016 Belmore A63B 21/075
 D756,513 S † 5/2016 Cheney D24/133
 D759,590 S * 6/2016 Wang D13/119
 9,366,467 B2 † 6/2016 Kiedaisch F25D 3/00
 D762,442 S 8/2016 Thomson
 D763,059 S 8/2016 Thomson
 D779,306 S * 2/2017 Finkelstein D8/343
 9,605,443 B2 * 3/2017 Shah E05C 1/14
 D792,486 S † 7/2017 Li D15/81
 D802,028 S † 11/2017 Li D15/81
 D802,029 S † 11/2017 Li D15/81
 D802,630 S † 11/2017 Li D15/81
 9,828,137 B2 † 11/2017 Albert B65D 21/0223
 9,878,841 B2 † 1/2018 Holderness B67D 3/0067
 D820,049 S † 6/2018 Ahlstrom D7/605
 D826,027 S * 8/2018 Carey D8/343
 D835,552 S * 12/2018 Goodrich D12/190
 D835,948 S † 12/2018 Jacobsen D7/605
 D836,402 S † 12/2018 Jacobsen D7/605
 D836,993 S † 1/2019 Meda D7/605
 D836,994 S † 1/2019 Meda D7/605
 D844,386 S † 4/2019 Ahlstrom D7/605
 D844,412 S † 4/2019 Von Holzhausen D8/337
 D850,839 S * 6/2019 Hardy D7/307
 D857,559 S * 8/2019 Hein D12/114
 D861,415 S * 10/2019 Seiders D7/392.1
 10,429,116 B2 † 10/2019 Huish A45C 11/20
 D887,788 S † 6/2020 Meda D7/605
 D888,503 S † 6/2020 Meda D7/605
 D922,176 S 6/2021 Bullock et al.
 D922,854 S 6/2021 Le
 D924,614 S 7/2021 Oudenhoven et al.
 D931,707 S 9/2021 Qiao
 D933,449 S 10/2021 Ahlströet al.
 D945,249 S 3/2022 Puskar-Pasewicz et al.
 D964,841 S 9/2022 Perez-Castro et al.
 D965,409 S 10/2022 Bullock et al.
 D968,197 S 11/2022 Gusi Gracia
 2004/0178208 A1 † 9/2004 Leba F25D 3/08
 2005/0263527 A1 † 12/2005 Maldonado A45C 13/40
 2006/0169691 A1 † 8/2006 Rothschild A45C 7/0054
 2007/0193297 A1 † 8/2007 Wilson F25D 29/00
 2009/0139245 A1 † 6/2009 Blackway F25B 21/02
 2009/0314018 A1 † 12/2009 Burchill F25B 31/006
 2010/0251750 A1 † 10/2010 Lifson F25B 1/10
 2011/0030399 A1 † 2/2011 Lifson B60H 1/00385
 2011/0041523 A1 † 2/2011 Taras F25B 9/008
 2011/0162395 A1 † 7/2011 Chakiachvili B60H 1/00014
 2011/0226785 A1 † 9/2011 Sakell A01K 97/20
 2012/0011866 A1 † 1/2012 Scarcella F25B 1/10
 2012/0085123 A1 † 4/2012 Wasnievski da Silva F25D 19/02
 2012/0132657 A1 † 5/2012 Seiders B65D 81/3816
 2012/0198866 A1 † 8/2012 Zeidner F25D 11/003
 2012/0318006 A1 † 12/2012 Liu F25B 41/043

2012/0318014 A1 † 12/2012 Huff F25B 1/10
 2013/0062356 A1 † 3/2013 Deka B65D 81/3823
 2014/0013789 A1 1/2014 Conrad et al.
 2014/0014669 A1 1/2014 Smith
 2014/0191544 A1 † 7/2014 Comber, V A47C 7/021
 2014/0314607 A1 † 10/2014 Maeyama F04C 18/3564
 2014/0338390 A1 † 11/2014 Pinto F25D 11/003
 2015/0000318 A1 † 1/2015 Pinto F25B 1/00
 2015/0008242 A1 † 1/2015 Kpabar, Jr. B67D 3/0061
 2015/0021106 A1 † 1/2015 LaRosa A45C 11/20
 2015/0114024 A1 † 4/2015 Grepper B01F 7/0025
 2015/0122827 A1 † 5/2015 Smith F25D 3/08
 2015/0241107 A1 † 8/2015 Meeh F25D 3/08
 2015/0322698 A1 † 11/2015 Seiders B65D 81/3816
 2015/0353263 A1 † 12/2015 Seiders B65D 25/18
 2015/0357755 A1 † 12/2015 Hastings H01R 12/7005
 2015/0375918 A1 † 12/2015 Holderness B65D 83/00
 2016/0046418 A1 † 2/2016 Crull B65D 25/28
 2016/0101924 A1 † 4/2016 Mitchell A45C 7/0077
 2016/0272047 A1 † 9/2016 Gan B60H 1/3223
 2017/0023290 A1 † 1/2017 Demuth F25D 11/003
 2017/0305638 A1 † 10/2017 Sonntag B65D 81/3813
 2017/0313492 A1 11/2017 Seiders et al.
 2018/0141718 A1 † 5/2018 Ahlstrom A45F 3/46
 2018/0273258 A1 † 9/2018 Luburic B65D 55/06
 2019/0152677 A1 5/2019 Hoyt
 2019/0161240 A1 † 5/2019 Ahlstrom A45F 3/46

FOREIGN PATENT DOCUMENTS

AU 201712802 † 5/2017
 AU 201712803 † 5/2017
 AU 201712785 S † 7/2017
 AU 201712785 S † 7/2017
 AU 201712791 S † 11/2017
 AU 201712791 S † 11/2017
 AU 201716789 11/2017
 AU 201716791 S 11/2017
 AU 201716791 S † 11/2017
 CA 1 249 731 A1 2/1989
 CA 1 249 731 A1 † 2/1989
 CN 1240728 A 1/2000
 CN 1240728 A † 1/2000 B60H 1/3223
 CN 1498311 A 5/2004
 CN 1498311 A † 5/2004 F04C 18/328
 CN 1629478 A † 6/2005
 CN 1629478 A † 6/2005
 CN 200985884 Y † 12/2007
 CN 200985884 Y 12/2007
 CN 101431913 A 5/2009
 CN 101431913 A † 5/2009
 CN 102257278 A 11/2011
 CN 102257278 A † 11/2011 F04C 18/322
 CN 102261334 A † 11/2011 F01C 21/02
 CN 102261334 A 11/2011
 CN 202066275 U 12/2011
 CN 202066275 U † 12/2011
 CN 103237990 A † 8/2013
 CN 103237990 A 8/2013
 CN 103471438 A 12/2013

(56)

References Cited

FOREIGN PATENT DOCUMENTS

CN	103471438	A	‡	12/2013	
CN	103542661	A	‡	1/2014 A45C 13/02
CN	103542661	A		1/2014	
CN	103963600	A		8/2014	
CN	103963600	A	‡	8/2014	
CN	104583692	A	‡	4/2015 F25D 3/06
CN	104583692	A		4/2015	
CN	104697279	A	‡	6/2015	
CN	104697279	A		6/2015	
CN	106062367	A		10/2016	
CN	106062367	A	‡	10/2016 F04C 29/068
CN	106068433	A		11/2016	
CN	106068433	A	‡	11/2016 B01F 15/00538
CN	304400680	S	‡	12/2017	
CN	304400680	S		12/2017	
DE	30 02 260	A1		7/1981	
DE	30 02 260	A1	‡	7/1981 F25D 11/00
DE	41 42 534	A1	‡	7/1992 F04B 49/065
DE	41 42 534	A1		7/1992	
EM	004006476-0001			5/2017	
EM	004006476-0002		‡	5/2017	
EM	004006476-0003		‡	5/2017	
EM	004007706-0001		‡	5/2017	
EM	004007706-0002		‡	5/2017	
EP	0 958 952	A1		11/1999	
EP	0 958 952	A1	‡	11/1999 B60H 1/3229
EP	1 867 504	A2	‡	12/2007 B60H 1/00428
EP	1 867 504	A2		12/2007	
JP	H08-247601	A		9/1996	
JP	H08-247601	A	‡	9/1996	
SG	194217	A1	‡	11/2013	
SG	194217	A1		11/2013	
TH	66500	S	‡	11/2018	
TH	66500	S		11/2018	
WO	2006/009537	A1		1/2006	
WO	WO-2006/009537	A1	‡	1/2006 A47G 23/0225
WO	2010/131061	A1		11/2010	
WO	WO-2010/131061	A1	‡	11/2010 F25B 1/00
WO	2018095957	A1		5/2018	
WO	WO-2018095957	A1	‡	5/2018 A45F 3/46

OTHER PUBLICATIONS

European Design Patent Application No. 003476415-0002 entitled “” filed Nov. 22, 2016.‡

European Design Patent Application No. 003476415-0001 entitled “” filed Nov. 22, 2016.‡

European Design Patent Application No. 003476415-0005 entitled “” filed Nov. 22, 2016.‡

Australian Patent Application No. 2017365438 filed May 6, 2019 entitled “Cooler”.‡

European Patent Office, International Search Report and Written Opinion for PCT/EP2017/080018 dated Jan. 25, 2018.‡

“Liddup Coolers,” retrieved from Internet URL: <https://web.archive.org/web/20161118120853/http://liddup.com/about.html>, retrieved on Jun. 13, 2019, pp. 5.‡

European Design Patent Application No. 003476415-0007 entitled “” filed Nov. 22, 2016.‡

European Design Patent Application No. 003847557-0005 entitled “Smart Cooler” filed Apr. 7, 2017.‡

European Design Patent Application No. 003476415-0006 entitled “” filed Nov. 22, 2016.‡

European Design Patent Application No. 003476415-0004 entitled “” filed Nov. 22, 2016.‡

Likchinlow “Igloo Announces Cooler with LiddUp LED Lighting System,” Retrieved from Internet URL: https://www.ledinside.com/products/2015/igloo_announces_cooler_with_liddup_led_lighting_system, published on Jan. 12, 2015, pp. 3.‡

European Design Patent Application No. 003847557-0003 entitled “Smart Cooler” filed Apr. 7, 2017.‡

European Design Patent Application No. 003476415-0003 entitled “” filed Nov. 22, 2016.‡

“Igloo Coolers,” retrieved from Internet URL: <https://web.archive.org/web/20161026143451/https://www.igloocoolers.com/igloo-life/campaigns-party-on>, retrieved on Jun. 13, 2019, pp. 6.‡

European Design Patent Application No. 003847557-0004 entitled “Smart Cooler” filed Apr. 7, 2017.‡

International Preliminary Report on Patentability for PCT/EP2017/080018 dated May 28, 2019.‡

European Design Patent Application No. 003847557-0001 entitled “Smart Cooler” filed Apr. 7, 2017.‡

European Design Patent Application No. 003847557-0002 entitled “Smart Cooler” filed Apr. 7, 2017.‡

Australian Patent Application No. AU201716791 filed Nov. 8, 2017.‡

Australian Patent Application No. AU201716789 filed Nov. 8, 2017.‡

Thailand Design Patent Application No. 1702001859 entitled “Cooler” filed May 22, 2017.‡

Design U.S. Appl. No. 29/585,272 entitled “Cooler”, filed Nov. 22, 2016.‡

European Design Patent Application No. 003482694 entitled “Cooler”, filed Nov. 25, 2016.‡

Design U.S. Appl. No. 29/604,426 entitled Cooler, filed May 17, 2017.‡

Design U.S. Appl. No. 29/605,186 entitled Refrigerating Apparatus, filed May 24, 2017.‡

Dometic RV Refrigeration, Portable Freezers/Refrigerators, Dometic Product Catalog 2015.‡

Design U.S. Appl. No. 29/604,424 entitled Cooler, filed May 17, 2017.‡

Dometic CF Portable Coolers, Dometic Product Catalog 2016.‡

Chinese Design Patent Application No. 201730180148.2 entitled “Refrigerating Apparatus” filed May 16, 2017.‡

Transmittal Letter of Related Cases.‡

Chinese Design Patent Application No. 201730180150 entitled “Latch” filed May 16, 2017.‡

Design U.S. Appl. No. 29/708,155 entitled “Latch”, filed Oct. 3, 2019.‡

Design U.S. Appl. No. 29/670,888 entitled “Cooler”, filed Nov. 20, 2018.‡

U.S. Appl. No. 62/425,288 entitled “Cooler”, filed on Nov. 22, 2016.‡

Non-Final Rejection Mailed in U.S. Appl. No. 16/264,057 dated Oct. 3, 2019.‡

Design U.S. Appl. No. 29/670,885 entitled “Cooler”, filed Nov. 20, 2018.‡

Non-Final Rejection Mailed in U.S. Appl. No. 15/819,950 dated Oct. 1, 2019.‡

Notice of Allowance received in Design U.S. Appl. No. 29/670,888 dated May 26, 2020.‡

Notice of Allowance received in Design U.S. Appl. No. 29/670,885 dated May 26, 2020.‡

United States Patent and Trademark Office, Final Office Action dated Jul. 16, 2020 in U.S. Appl. No. 15/819,950.‡

Final Rejection Mailed in U.S. Appl. No. 16/264,057 dated Jul. 20, 2020.‡

Office Action received in China Patent Application No. 201780072126.1 dated Oct. 19, 2020.‡

Rejection Decision Issued in China Patent Application No. 201780072126.1 dated Jun. 3, 2021.‡

United States Patent Office, Office Action for U.S. Appl. No. 16/264,057 dated Aug. 30, 2021.‡

Notice of Allowance and Fees Due received in Design U.S. Appl. No. 29/604,424 dated Aug. 10, 2018.

Restriction Requirement received in Design U.S. Appl. No. 29/585,272 dated Oct. 2, 2017.

Restriction Requirement received in Design U.S. Appl. No. 29/585,279 dated Feb. 8, 2019.

Notice of Allowance received in Design U.S. Appl. No. 29/628,767 dated Nov. 6, 2018.

Notice of Allowance received in Design U.S. Appl. No. 29/585,272 dated Jan. 26, 2018.

(56)

References Cited

OTHER PUBLICATIONS

Notice of Allowance received in Design U.S. Appl. No. 29/585,279 dated Sep. 26, 2019.

Notice of Allowance and Fees Due received in Design U.S. Appl. No. 29/604,426 dated Aug. 10, 2018.

Design U.S. Appl. No. 29/585,279 entitled "Latch", filed Nov. 22, 2016.

Design U.S. Appl. No. 29/708,156 entitled "Latch", filed Oct. 3, 2019.

U.S. Appl. No. 62/425,288 entitled "Cooler", filed Nov. 22, 2016.

Likchinlow "Igloo Announces Cooler with LiddUp LED Lighting System," Retrieved from Internet URL: https://www.ledinside.com/products/2015/1/igloo_announces_cooler_with_liddup_led_lighting_system, published on Jan. 12, 2015, pp. 3.

"Liddup Coolers," retrieved from Internet URL: <https://web.archive.org/web/20161118120853/http://liddup.com/about.html>, retrieved on Jun. 13, 2019, p. 5.

Notice of Allowance received in Design U.S. Appl. No. 29/670,888 dated Feb. 19, 2020.

Notice of Allowance received in Design U.S. Appl. No. 29/670,885 dated Feb. 27, 2020.

Non Final Office Action Issued in U.S. Appl. No. 16/264,057 dated Aug. 30, 2021.

Supplemental Notice of Allowance Issued in U.S. Appl. No. 29/585,279 dated Aug. 4, 2021.

Notice of Allowance received in Design U.S. Appl. No. 29/585,279 dated Apr. 22, 2020.

Notice of Allowance received in Design U.S. Appl. No. 29/585,279 dated Jun. 24, 2020.

Final Rejection Mailed in U.S. Appl. No. 15/819,950 dated Jul. 16, 2020.

Office Action received in China Patent Application No. 201780072126.1 dated Oct. 29, 2020.

Notice of Allowance Issued in U.S. Appl. No. 29/585,279 dated Jun. 4, 2021.

Non Final Office Action Issued in U.S. Appl. No. 15/819,950 dated Sep. 30, 2021.

Notice of Allowance Issued in U.S. Appl. No. 16/264,057 dated Mar. 30, 2022.

Supplemental Notice of Allowance Issued in U.S. Appl. No. 16/264,057 dated Apr. 14, 2022.

U.S. Appl. No. 17/887,106 titled "Cooler" filed on Aug. 12, 2022.

International Search Report and Written Opinion Issued in PCT Application No. PCT/US/2020/063545 dated Mar. 10, 2021, 9 Pages.

U.S. Appl. No. 62/967,199 entitled "Cooler Latch" filed on Jul. 12, 2020.

PCT Patent Application No. PCT/US2020/063545 entitled "COOLER LATCH" filed on Jul. 12, 2020.

U.S. Appl. No. 17/113,253 entitled "COOLER LATCH" filed on Jul. 12, 2020.

United States Patent and Trademark Office, Final Office Action issued in U.S. Appl. No. 15/819,950 dated Mar. 15, 2022.

Examination Report No. 1 for Australia Patent Application No. 201365438 dated Jul. 28, 2022.

Office Action received in German Patent Application No. 112017005901.1 dated Oct. 11, 2021.

Notice of Allowance Mailed in U.S. Appl. No. 15/819,950 dated Aug. 22, 2022.

Supplemental Notice of Allowability Mailed in U.S. Appl. No. 15/819,950 dated Sep. 22, 2022.

Notice of Allowability Issued in design U.S. Appl. No. 29/708,156 dated Dec. 22, 2022.

* cited by examiner

‡ imported from a related application

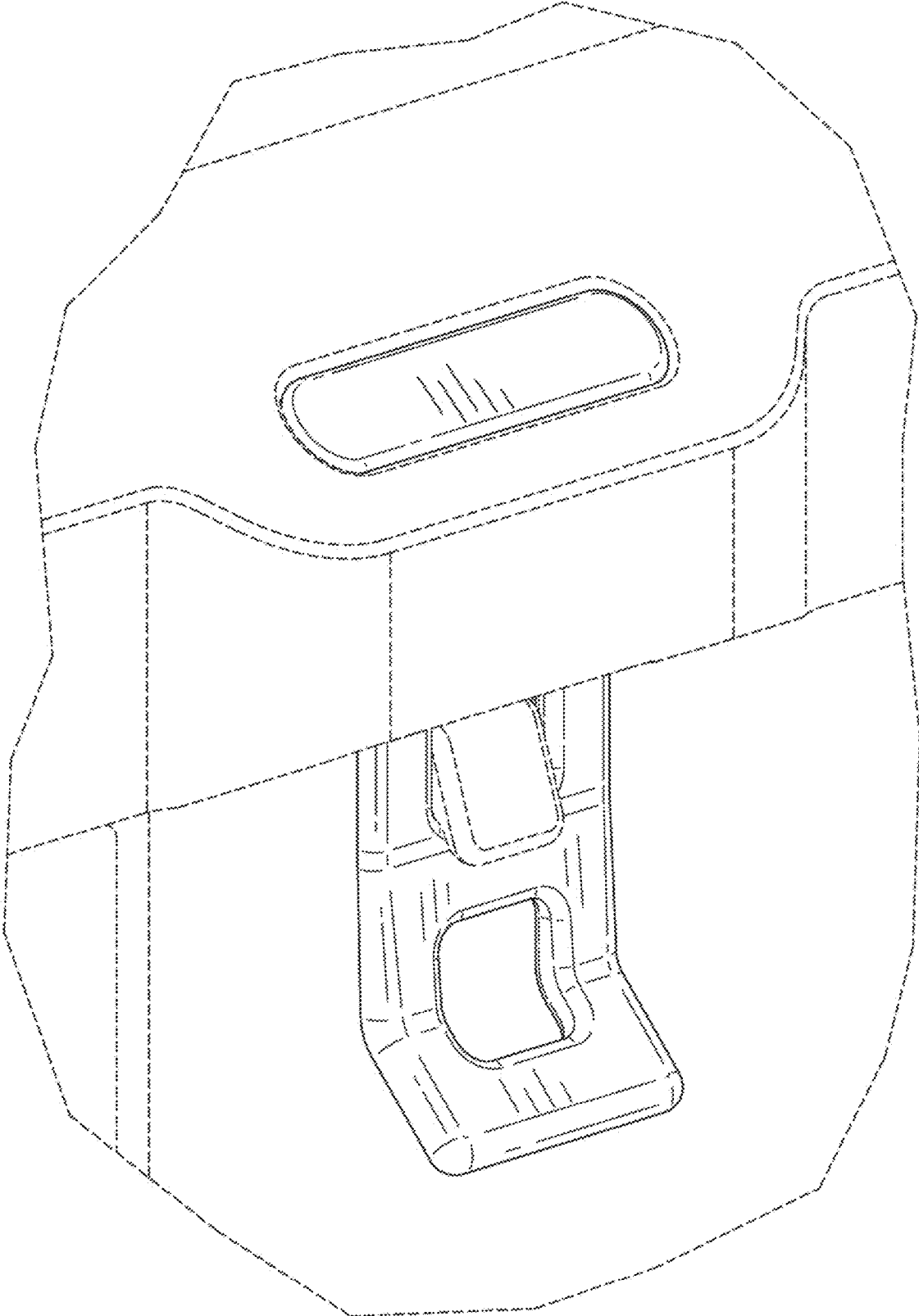


FIG. 1

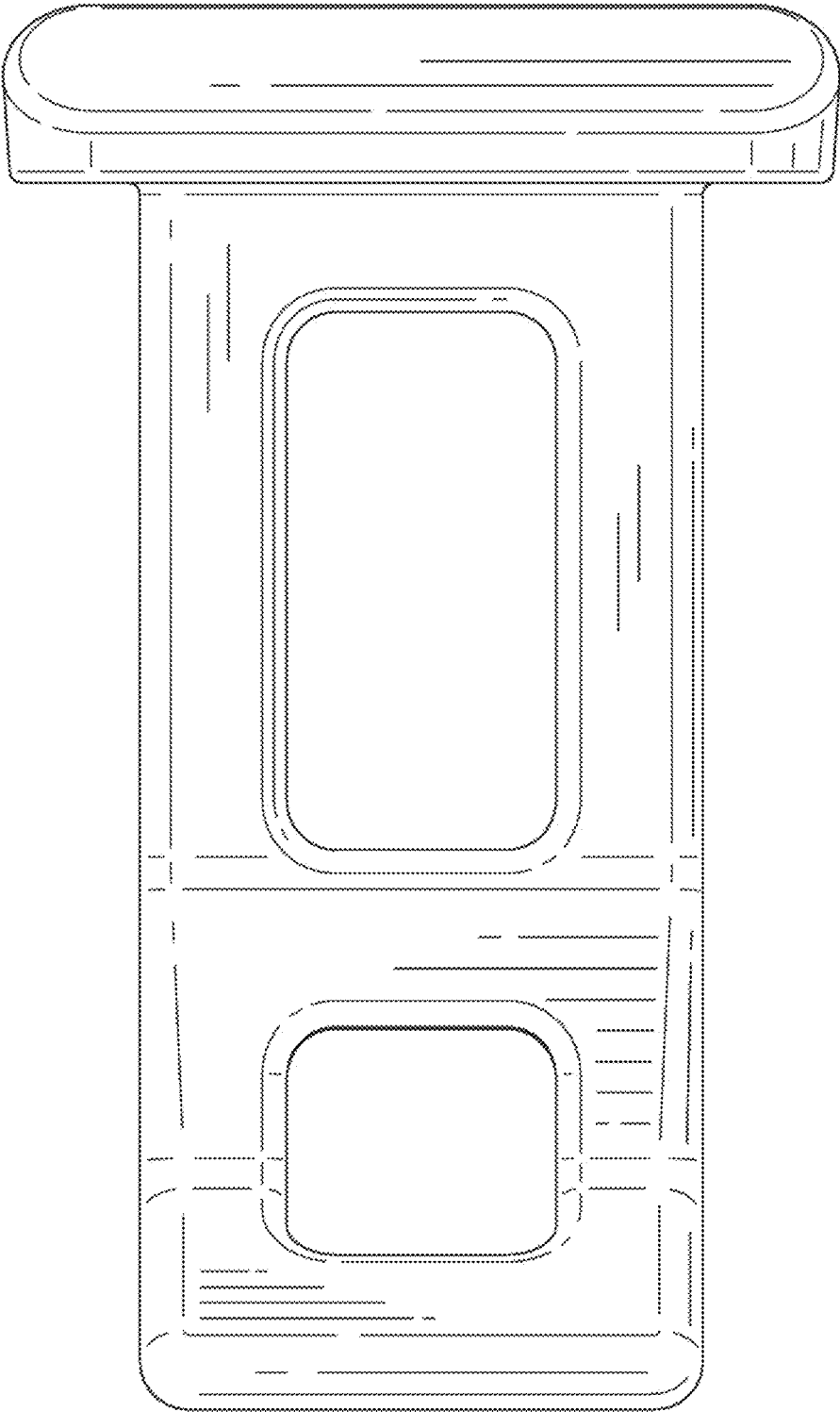


FIG. 2

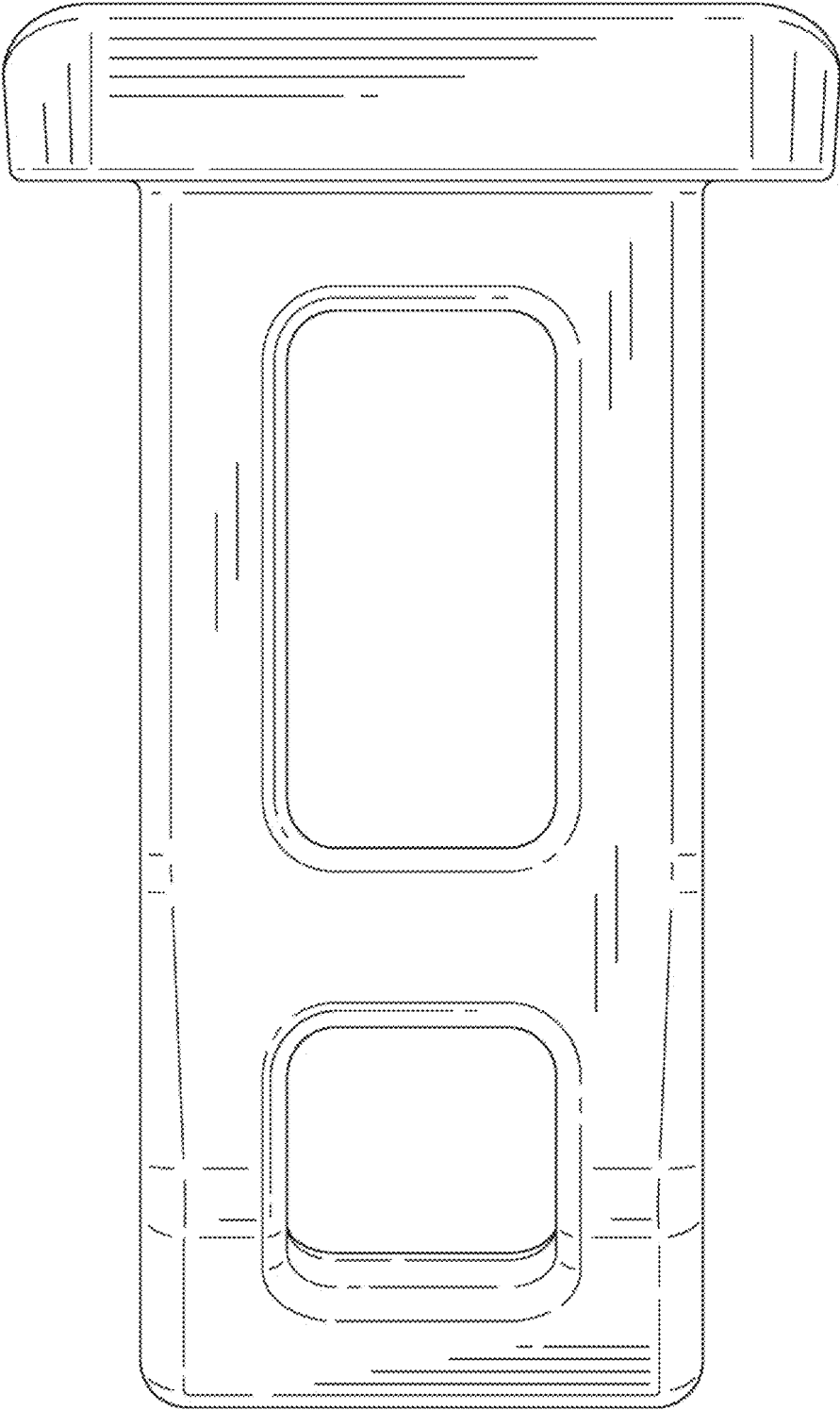


FIG. 3

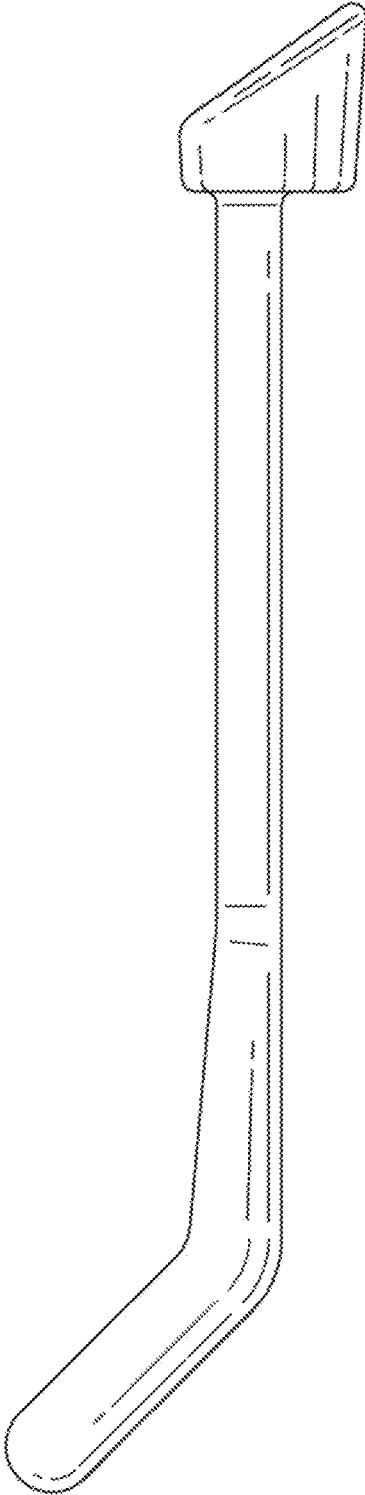


FIG. 4

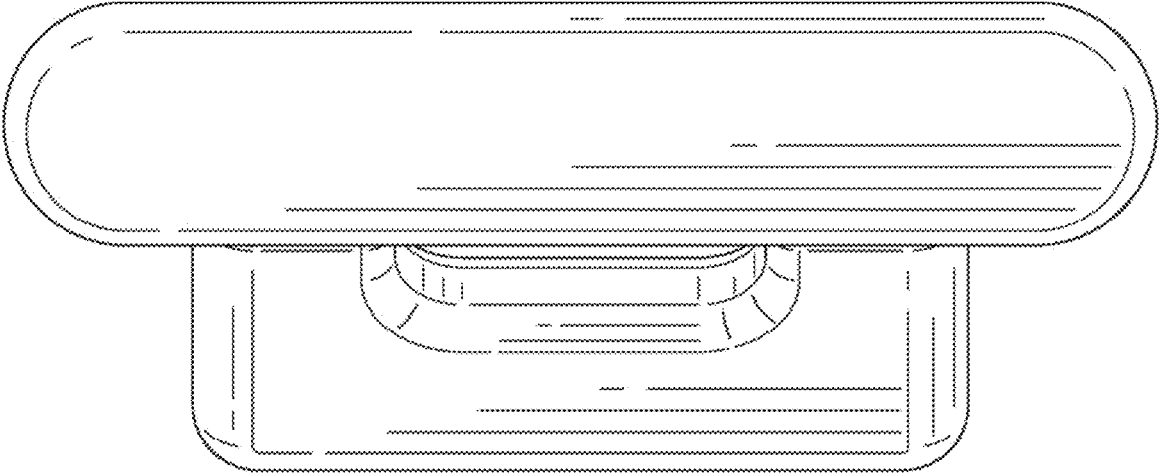


FIG. 5

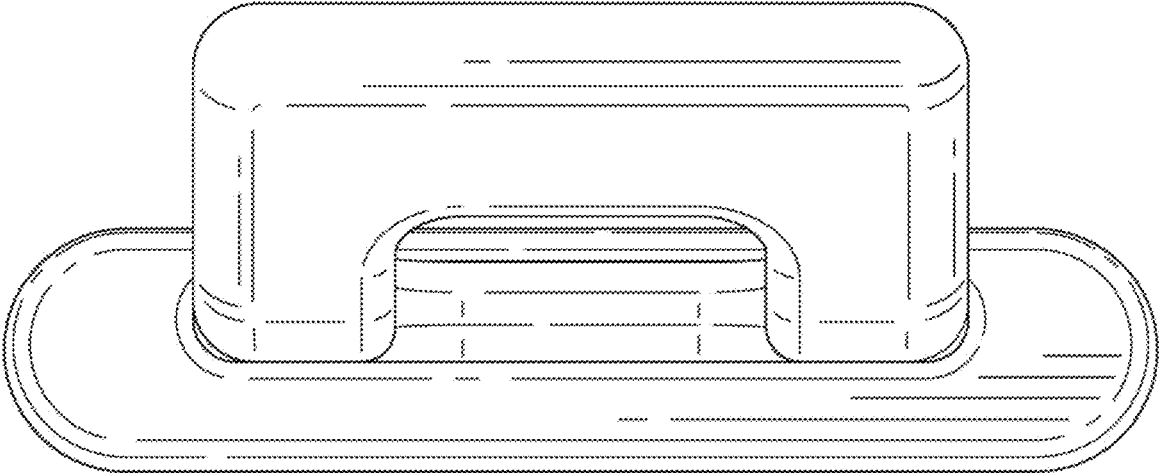


FIG. 6

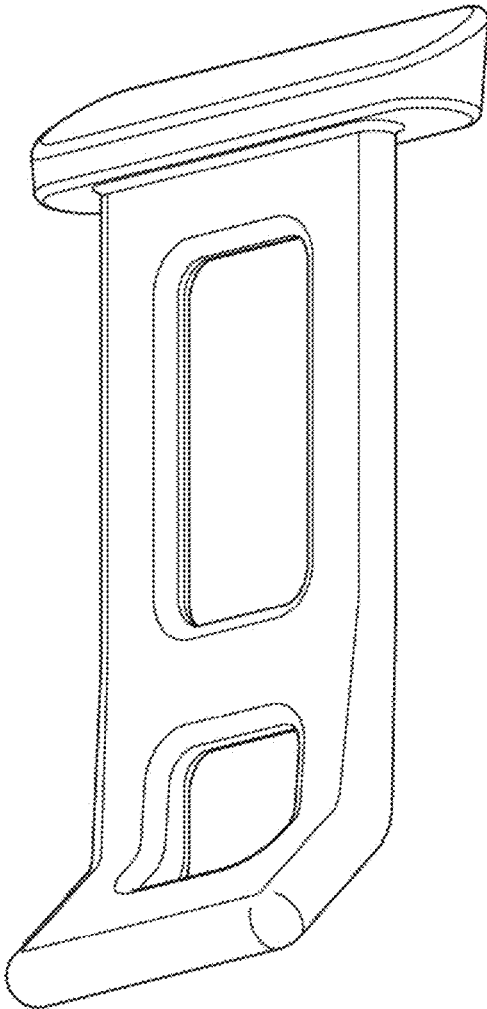


FIG. 7