



US00D764493S

(12) **United States Design Patent**
Sanderson

(10) **Patent No.:** **US D764,493 S**

(45) **Date of Patent:** **** Aug. 23, 2016**

(54) **DISPLAY SCREEN WITH ANIMATED GRAPHICAL USER INTERFACE**

(71) Applicant: **Microsoft Corporation**, Redmond, WA (US)

(72) Inventor: **Eric Sanderson**, Seattle, WA (US)

(73) Assignee: **Microsoft Corporation**, Redmond, WA (US)

(**) Term: **14 Years**

(21) Appl. No.: **29/509,212**

(22) Filed: **Nov. 14, 2014**

(51) **LOC (10) Cl.** **14-04**

(52) **U.S. Cl.**
USPC **D14/485**

(58) **Field of Classification Search**

USPC D14/485-495; 715/763, 772
CPC G06F 3/04845; G06F 3/04847; G06F
1/1692; G06F 3/04817; G06F 15/02; G06Q
10/063114; H04N 1/00477; G11B 27/34;
G06T 13/80

See application file for complete search history.

(56) **References Cited**

U.S. PATENT DOCUMENTS

5,392,388 A * 2/1995 Gibson G06F 3/04845
345/684
D501,210 S * 1/2005 Cook D14/486
D644,661 S * 9/2011 Gardner D14/495
D664,983 S 8/2012 Moreau et al.
D669,497 S 10/2012 Lee et al.
D687,460 S * 8/2013 Tyler D14/489
D689,505 S * 9/2013 Conway D14/485
D690,717 S * 10/2013 Thomsen D14/485
8,628,453 B2 * 1/2014 Balakrishnan A63B 71/0686
482/1
D699,747 S * 2/2014 Pearson D14/488
D699,749 S * 2/2014 Pearson D14/488

D715,313 S * 10/2014 Hontz, Jr. D14/485
8,875,054 B2 * 10/2014 Hopkins G06F 3/04847
715/833
D729,260 S * 5/2015 Ahn D14/485
D731,539 S * 6/2015 Omata D14/489
9,081,419 B2 * 7/2015 Tocino Diaz G06F 3/017
D737,330 S * 8/2015 Paolantonio D14/495
D738,917 S * 9/2015 Bray D14/492
D739,872 S * 9/2015 Bang D14/488
D740,300 S * 10/2015 Lee D14/485
D741,898 S * 10/2015 Soegiono D14/488

(Continued)

Primary Examiner — Barbara Fox

Assistant Examiner — Kimberly Barnes

(74) *Attorney, Agent, or Firm* — Banner & Witcoff, Ltd.

(57) **CLAIM**

The ornamental design for a display screen with animated graphical user interface, as shown and described.

DESCRIPTION

FIG. 1 is the first image in a sequence for a display screen with animated graphical user interface showing my new design;

FIG. 2 is the second image thereof;

FIG. 3 is the third image thereof;

FIG. 4 is the fourth image thereof;

FIG. 5 is the fifth image thereof;

FIG. 6 is the sixth image thereof;

FIG. 7 is the seventh image thereof;

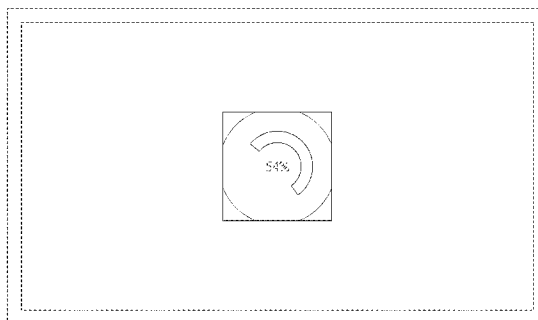
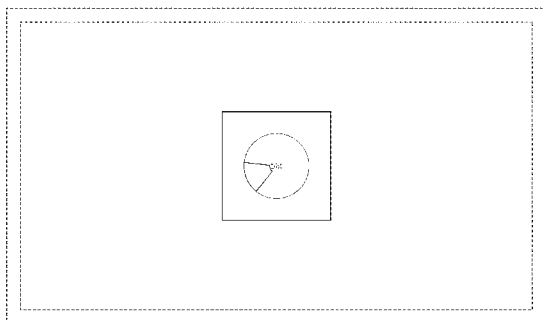
FIG. 8 is the eighth image thereof;

FIG. 9 is the ninth image thereof; and,

FIG. 10 is the tenth image thereof.

The appearance of the animated graphical user interface sequentially transitions between the images shown in FIGS. 1-10. The process or period in which one image transitions to another forms no part of the claimed design. The broken line showing of the remainder of the user interface and the remainder of the display screen is for environmental purposes only and forms no part of the claimed design.

1 Claim, 10 Drawing Sheets



(56)

References Cited

U.S. PATENT DOCUMENTS

D747,333 S *	1/2016	Supino	D14/486	2010/0214246 A1 *	8/2010	Park	G06F 3/04883
D751,606 S *	3/2016	Yu	D14/494				345/173
D751,606 S *	3/2016	Yu	D14/494	2015/0287403 A1 *	10/2015	Holzer Zaslansky .	G06T 13/205
2010/0023865 A1 *	1/2010	Fulker	G06F 3/04817				704/231
			715/734	2016/0062638 A1 *	3/2016	Yakishyn	G06F 3/0416
							715/863

* cited by examiner

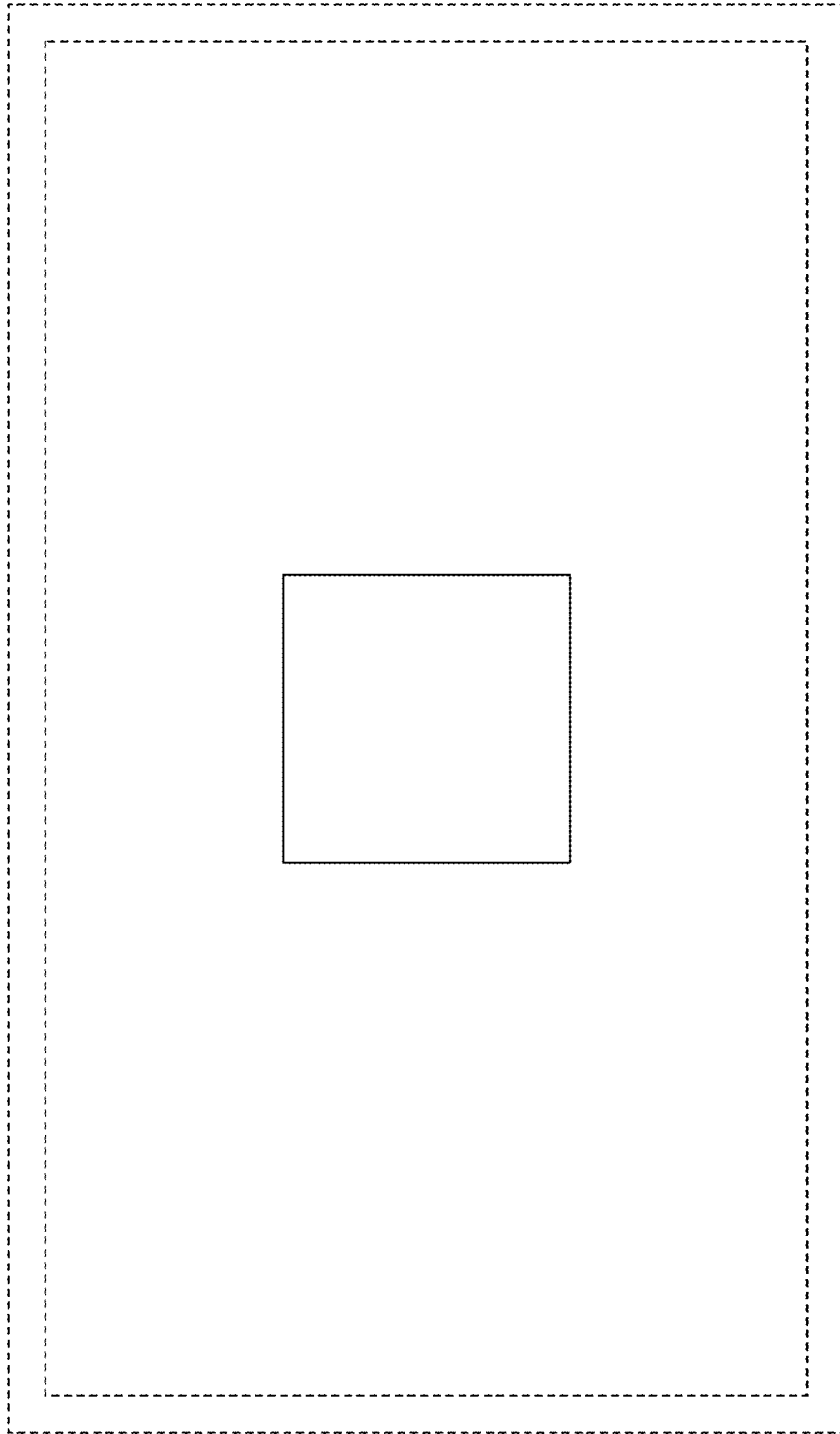


FIG. 1

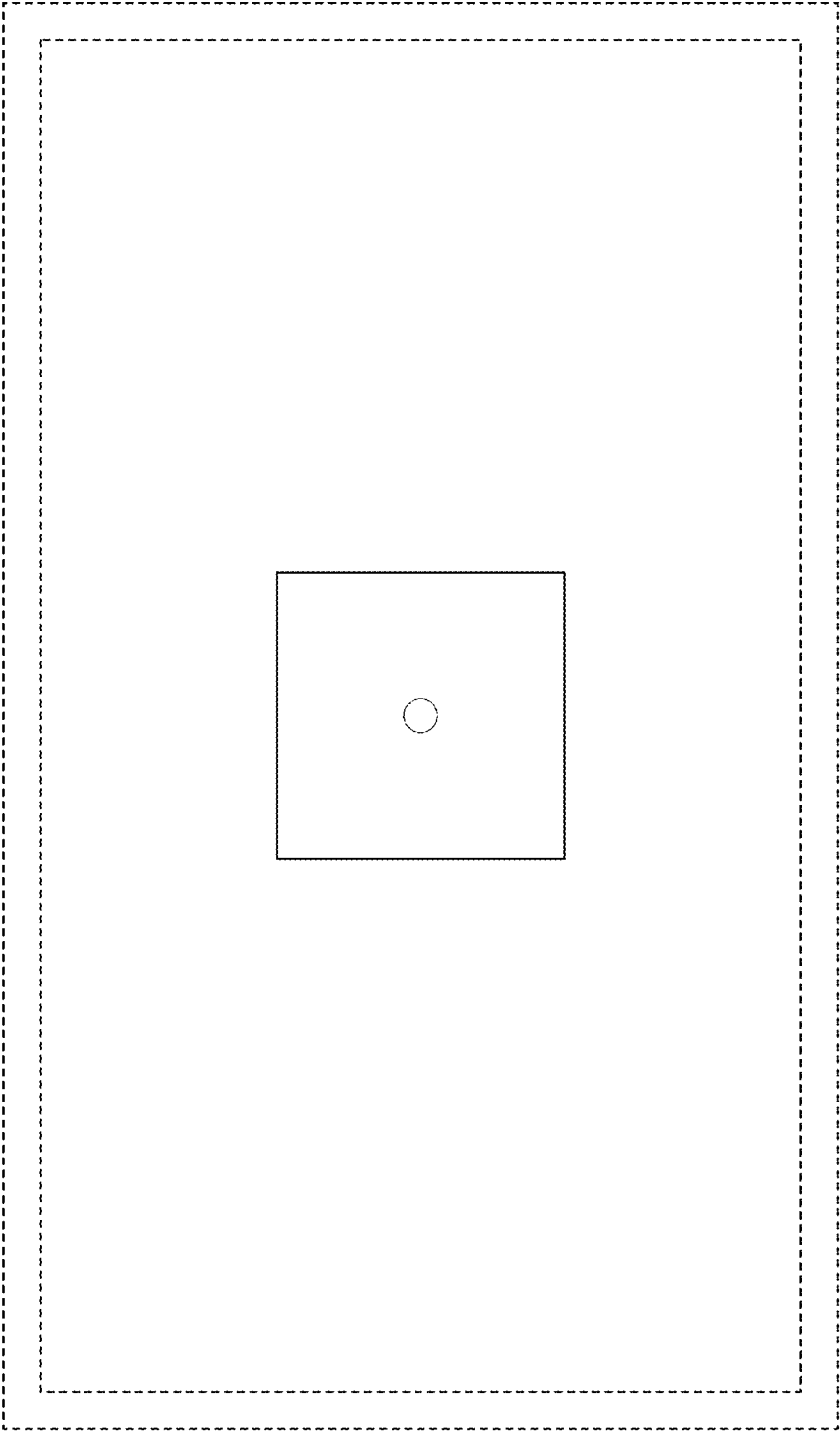


FIG. 2

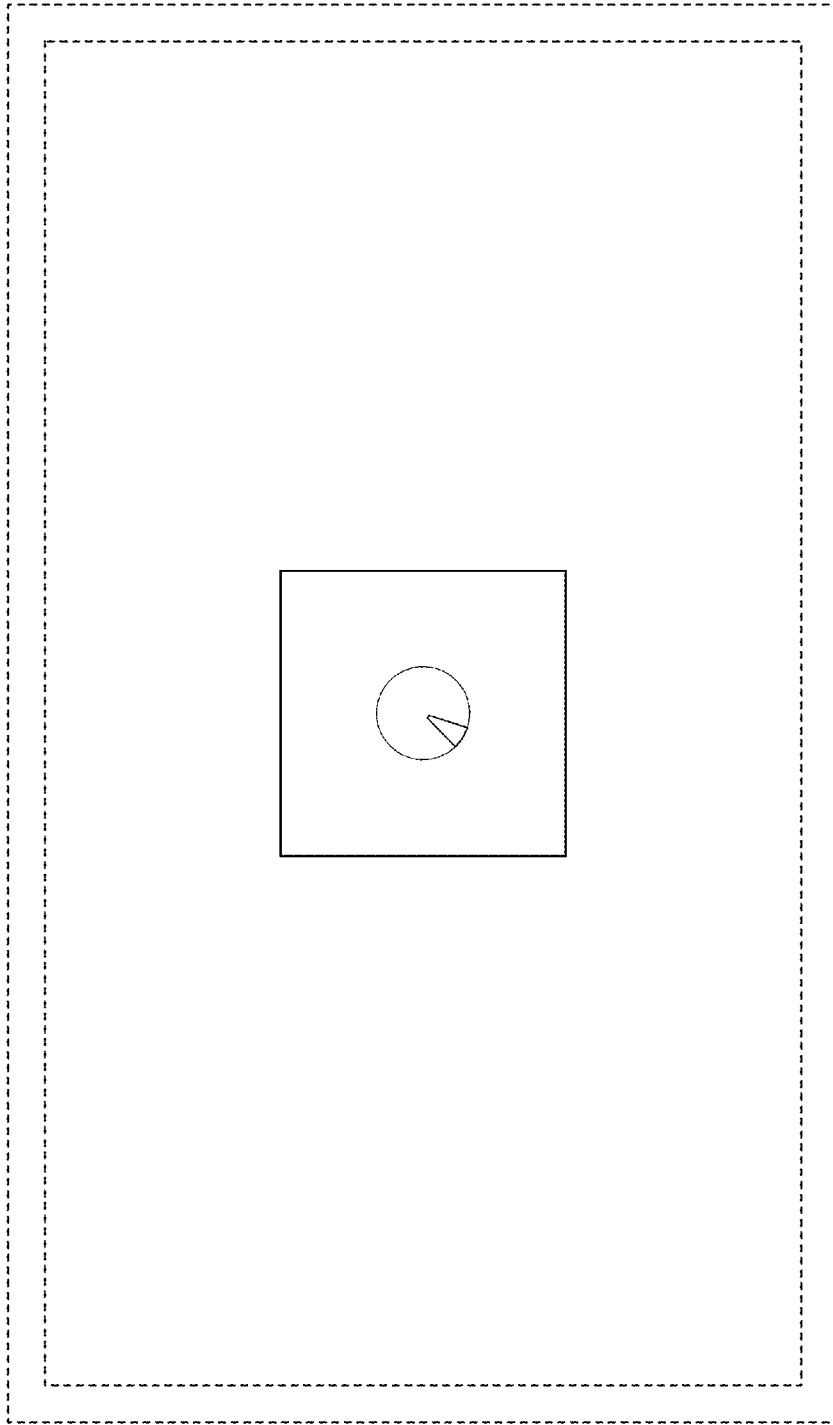


FIG. 3

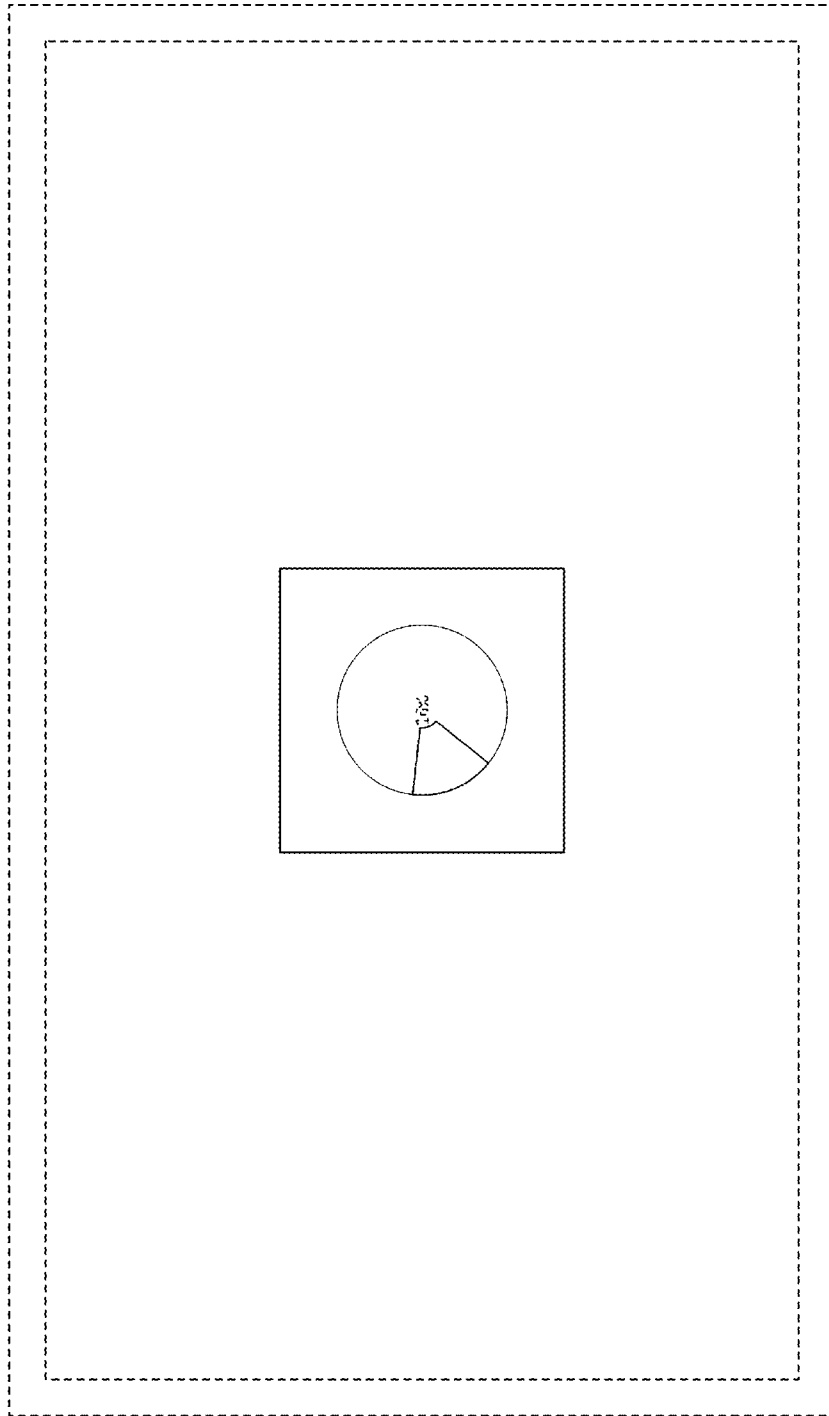


FIG. 4

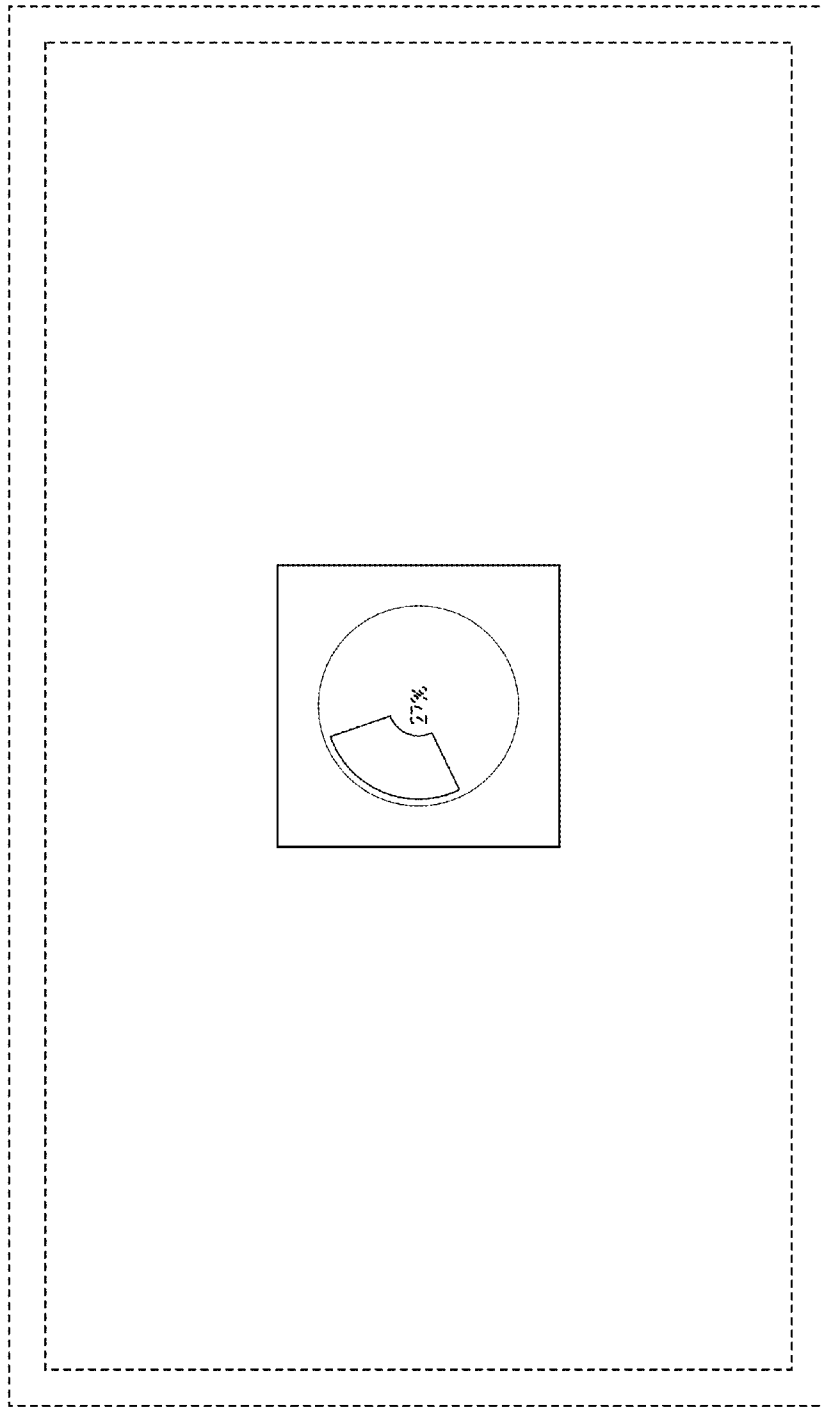


FIG. 5

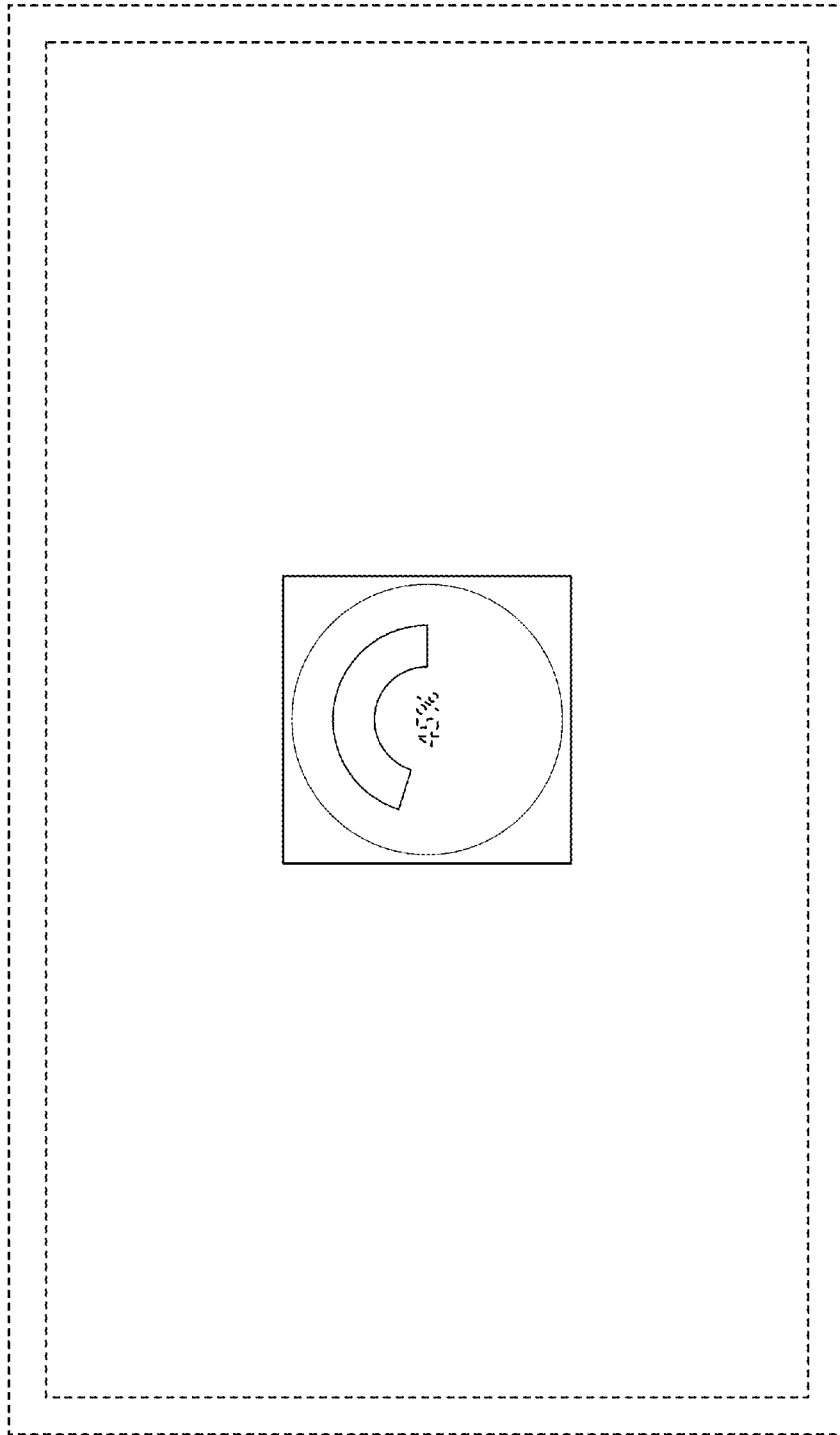


FIG. 6

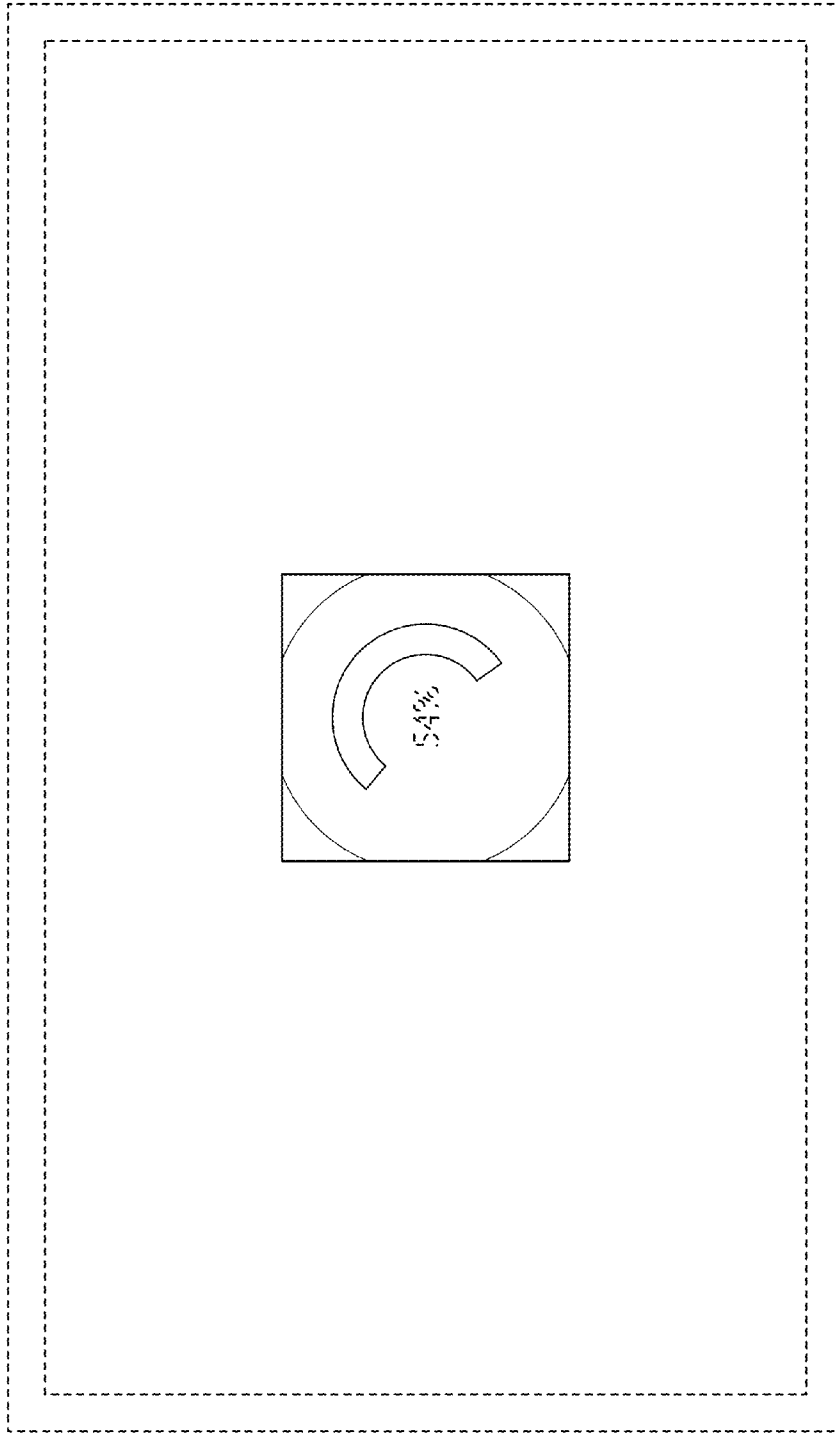


FIG. 7

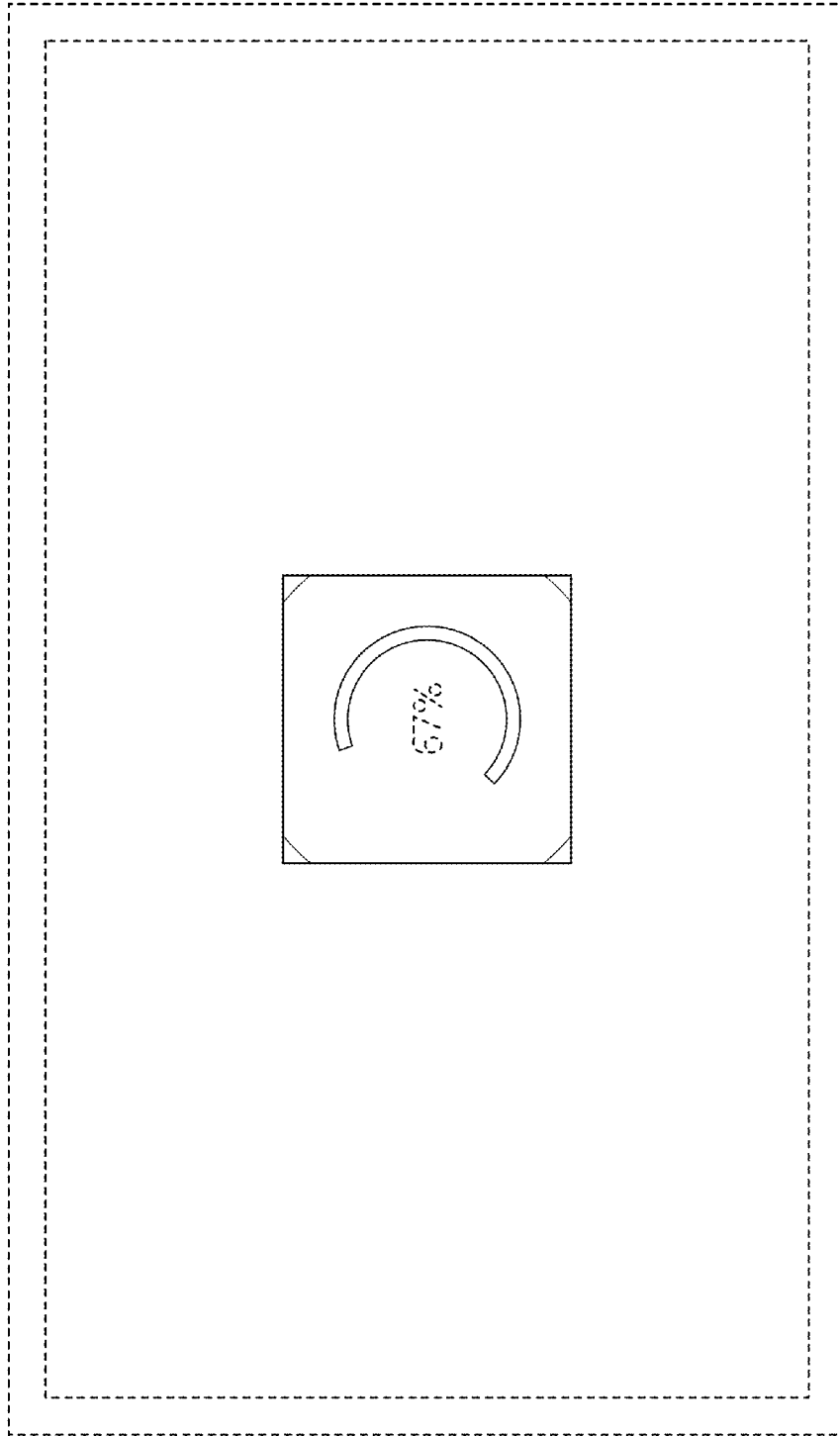


FIG. 8

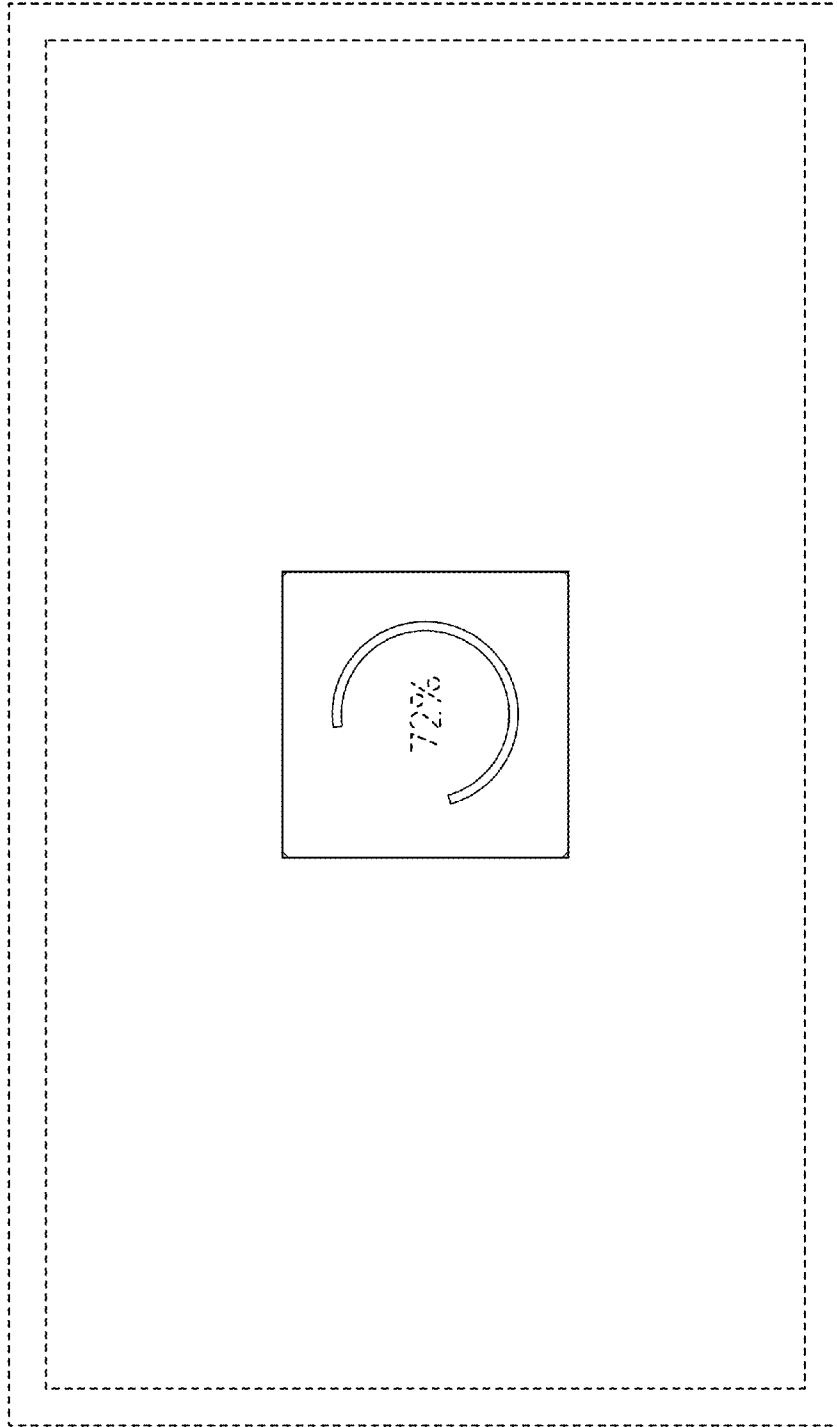


FIG. 9

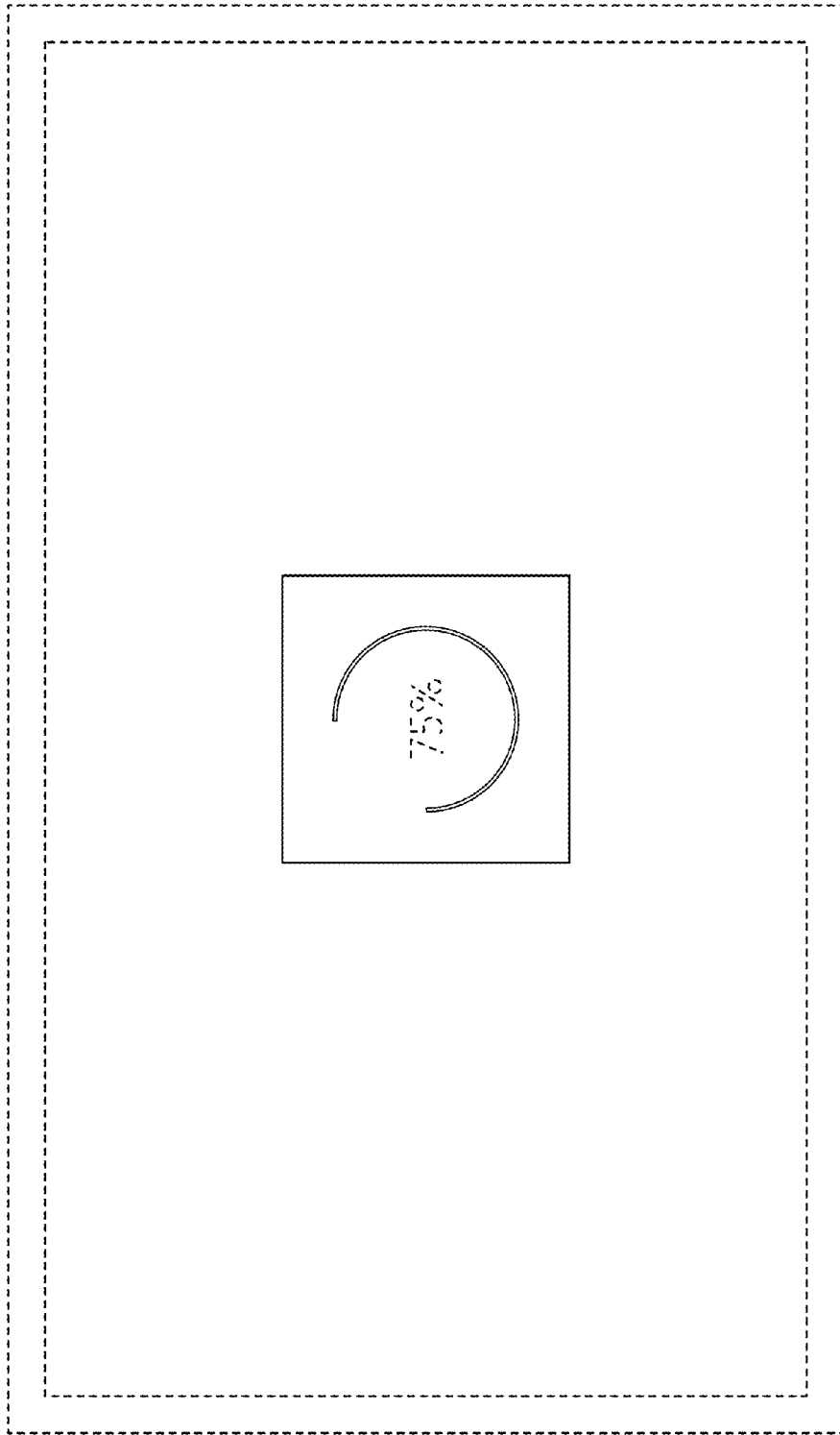


FIG. 10