



AFRICAN REGIONAL INDUSTRIAL PROPERTY
ORGANIZATION (ARIPO)

(11)

A

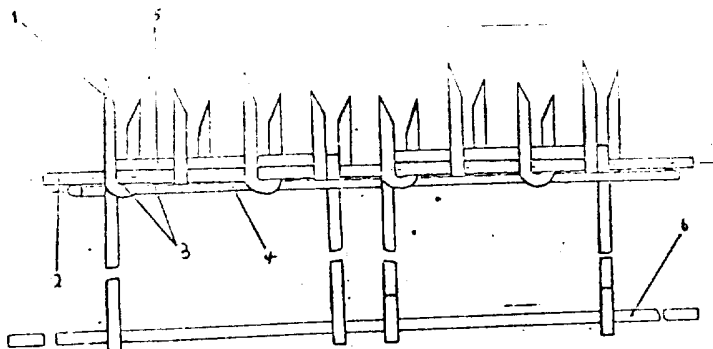
(21) Application Number:	AP/P/88/00090	(73) Applicant(s):	C.N. Topping Private Limited P.O. Box ST 600 Southerton HARARE, Zimbabwe
(22) Filing Date:	23.05.88	(72) Inventor(s):	C.N. Topping P.O. Box ST 600 Southerton Harare, Zimbabwe
(24) Date of Grant & (45) Publication	31.10.89	(74) Representative:	C.N. Topping Private Limited P.O. Box ST 600 Southerton HARARE+ Zimbabwe
(30) Priority Data:			
(33) Country:	-		
(31) Number:	-		
(32) Date:	-		
(34) Designated States:	BW KE MW LS SZ UG ZM ZW		

(51) International Patent Classification Int. Cl.⁴ E04H 17/16

(54) Title: Crown of thorns, Gate, Fence and Wall Security Fencing

(57) Abstract:

Security topping for walls, fences and gates with ultra sharp thorn spikes provided with an anchorage of a straight or slightly cranked anchor wire and a zig-zag snake wire providing strength, stability and fixing points for cement, screws, nails, clouts and wire loops for fixing the crown of thorns unto fences, gates, wall tops, wall sides, windowsills and drain pipes.



(56) Documents cited: DE 3 412 355 US 4 193 583 US 3 972 510

BAD ORIGINAL



CROWN OF THORNS, GATE, FENCE AND WALL SECURITY TOPPING

We G.M. Topping Private Limited, a company registered under the laws of Zimbabwe, of 13 Lobengula close, Southerton, Harare, Zimbabwe, do hereby declare the invention for which we pray that a patent may be granted to us and the method by which it is to be constructed and the manner in which it is to be used to be particularly described in and by the following statements:-

This invention relates to security toppings of walls, gates, fences or the like, and has for its object the provision of such security toppings in an improved form. Traditionally there are several Security Toppings. At their simplest, security toppings are composed of:-

- Broken glasses affixed on top of brick or concrete walls using cement.
- Huge spikes, occasionally fixed on a metal plane running on top of the wall or gate and fixed to it by any convenient means.
- Barbed wire mounted on top of walls, fences and gates.

Unfortunately, all the above security wall toppings have a disadvantage in one way or another. The broken glass security topping system has a disadvantage in that it can only be mounted on brick or concrete walls, and that it is easily surmountable if a coat, a carpet or even a thin mattress is placed upon it. The huge spikes, though much better than the glass toppings have been known to provide a grip and therefore can not give effective protection. Moreover, huge spikes can not be used on wire fences. The barbed wire topping suffer the same disadvantage prevalent on glass toppings, but has an advantage over the latter in that it can be used on wooden fences, concrete and brick walls.

It is therefore the object of the present invention to provide a security topping which does not suffer the disadvantages prevalent in the conventional security toppings.



AP000061

5 According to the present invention there is provided a security topping comprising, ultra sharp double ended thorn spikes of varying heights from 40mm to 50mm and 4mm thick with both ends facing upwards placed at a distance of 16mm from each other and at an angle of 45° neatly anchored by welding to a straight or slightly cranked anchor wire, to stop adult persons putting their fingers through the distance between the Ultra sharp double ended spikes.

10 Further, according to the invention there is provided a zig-zag snake wire base welded or spot welded to a straight or slightly cranked anchor wire and to most of the ultra sharp thorn spikes to accord strength, stability and fixing points for screws, steel nails and cement in the case of brick and concrete walls, and screws, washers or clout nails
15 in the case of wooden fences. According to the further aspects of the invention the zig-zag snake wire base also provides fixing points for loop wires which go down 30cm to the parallel bottom anchor wire when fixed to wire and mesh fences.

20 According to the invention the 4mm thick wire loop is intended to hold the crown of thorns or the security topping vertically upright thereby giving stability so that no one can mount the wire fence. Further, according to the invention the bottom of the loop wires is bent after being fixed to the
25 fence around the bottom anchor wire which in turn will be bent to stop it from being removed. The bottom anchor will also stop the diamond mesh fence being unwound.

30 An embodiment of the invention will now be described, by way of example with reference to the accompanying drawings, in which:-

Figure 1 is a front elevation of the complete unit of the security topping including the wire loop.

35 Figure 2 is the top elevation of the complete unit clearly showing the zig-zag snake wire (4), ultra sharp double ended thorn spikes(1) and the loop wire (5)



Figure 3 is the side elevation of the security unit clearly showing Ultra sharp double ended thorn spikes (1), the loop wire (5), and the wire rod (6)

Referring to figures 1, 2 and 3, according to the invention there is provided an ultra sharp double ended thorn spikes(1) of 4mm in diameter, and placed at a distance of 16mm from each other facing upwards.

The thorn spikes are at an angle of 45° to the anchor wire (2) and the anchor wire can be straight or slightly cranked depending on the construction of the security topping.

The anchor wire serves as an anchorage to the ultra sharp thorn spike which are welded or spot welded(3) to the same.

According to the invention there is also provided a zig-zag snake wire(4) welded or spot welded to the anchor wire(2) and to of the ultra sharp thorn spikes(1) providing strength, stability and fixing points for cement screws, nails, clout nails and wire loops(5). The wire loops(5) are limited to fixing of the security topping to wire fences and wire mesh fences by going down 30cm to the parallel bottom of the anchor wire when fixed with the wire rod(6) to give strength and stability to the security topping by bending of the same.

Having now particularly described and ascertained our said invention and in what manner the same is to be performed, we declare that:-

WHAT WE CLAIM IS:-

1. A security topping for walls, fences and gates characterized by U-shaped ultra sharp thorn spikes provided with an anchorage base wire, and a zig-zag snake wire.



2. A security topping according to claim 1 in which the U-shaped ultra sharp thorn spikes varying in height from 40mm to 50mm are welded or spot welded to the anchor wire 16mm apart and at an angle to the anchor wire.

3. A security topping according to claim 1 or claim 2 where by, anchor wire is straight or slightly off set.

4. A security topping according to claim 1, 2 and 3 where the zig-zag snake wire is welded or spot welded to the anchor wire and to most of the ultra sharp thorn spikes to give strength, stability and fixing points for cement, screws, nails, clouts and wire loop.

5. A security topping according to any of the above claims in which the U-shaped wire loop is used as an extra fixing aid for wire fence toppings or mesh fences.

Dated this..... day

of

AP000061

AP000061

FIG. 1

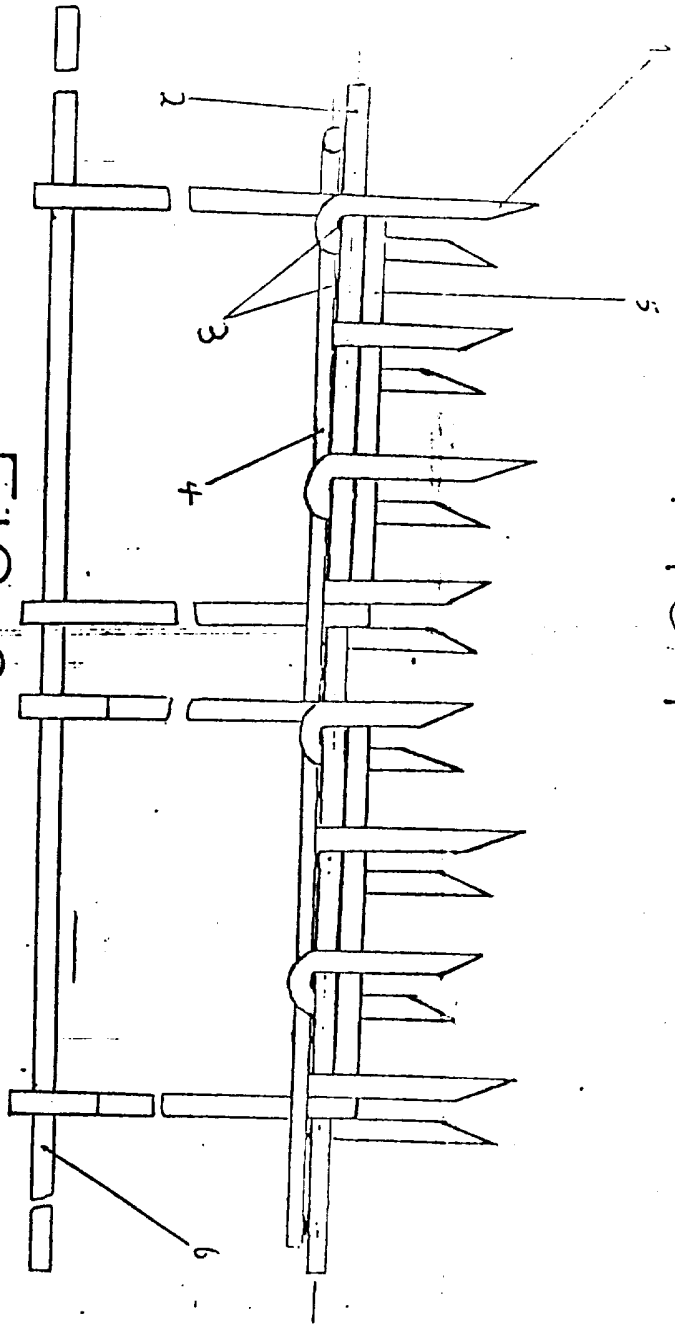


FIG. 3

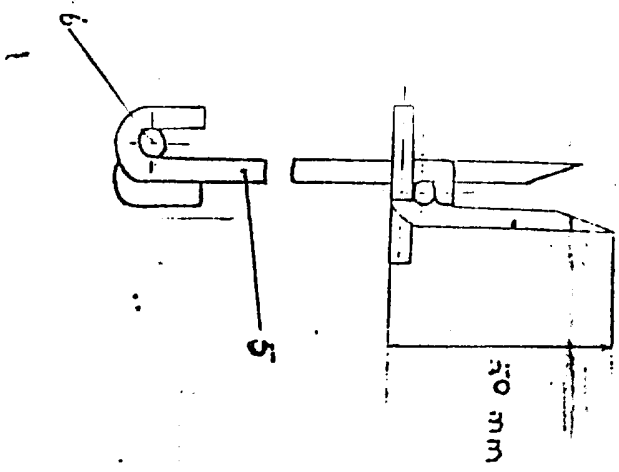


FIG. 2

