



US00D596451S

(12) **United States Design Patent**
Wu

(10) **Patent No.:** **US D596,451 S**

(45) **Date of Patent:** **** Jul. 21, 2009**

(54) **NON-STAINING SAUCE POT WITH LID**

D455,599 S * 4/2002 Cheng D7/354
D509,403 S * 9/2005 Raydo D7/361
D587,062 S * 2/2009 Ek D7/354

(76) Inventor: **Zhi Fei Wu**, House #3-7 Tai Qiao Cun,
Xi Wu Zone, Feng Hua Shi, Zhejiang
(CN)

* cited by examiner

(**) Term: **14 Years**

Primary Examiner—Caron Veynar

Assistant Examiner—Ricky Pham

(21) Appl. No.: **29/312,710**

(74) *Attorney, Agent, or Firm*—Alix, Yale & Ristas, LLP

(22) Filed: **Nov. 6, 2008**

(57) **CLAIM**

(51) **LOC (9) Cl.** **07-02**

The ornamental design for a non-staining sauce pot with lid,
as shown.

(52) **U.S. Cl.** **D7/361**

(58) **Field of Classification Search** D7/323,
D7/354-361, 365, 378-379, 383-384, 391-396.1,
D7/402, 542-543, 545, 560, 584-588, 667;
D10/46.2; 99/337, 422, 425, 445; 210/467;
211/96; 219/620-621, 725-730; 220/573.1-574,
220/769, 912; 222/545, 572

DESCRIPTION

See application file for complete search history.

FIG. 1 is a perspective view of the non-staining sauce pot with
lid showing my new design;

FIG. 2 is a front side view of the non-staining sauce pot with
lid of FIG. 1;

FIG. 3 is a rear side view of the non-staining sauce pot with lid
of FIG. 1;

(56) **References Cited**

U.S. PATENT DOCUMENTS

- 2,303,841 A * 12/1942 Kircher 222/545
- 2,561,806 A * 7/1951 Mailland 211/96
- D237,133 S * 10/1975 Cyren D7/361
- 4,310,418 A * 1/1982 Busbey 210/467
- D327,609 S * 7/1992 Carlson D7/667
- D330,863 S * 11/1992 Green D10/46.2
- 5,388,732 A * 2/1995 Greger 222/572
- 5,653,881 A * 8/1997 Bruss et al. 210/467
- D386,940 S * 12/1997 Hess D7/361
- 5,730,045 A * 3/1998 Delaquis et al. 99/337

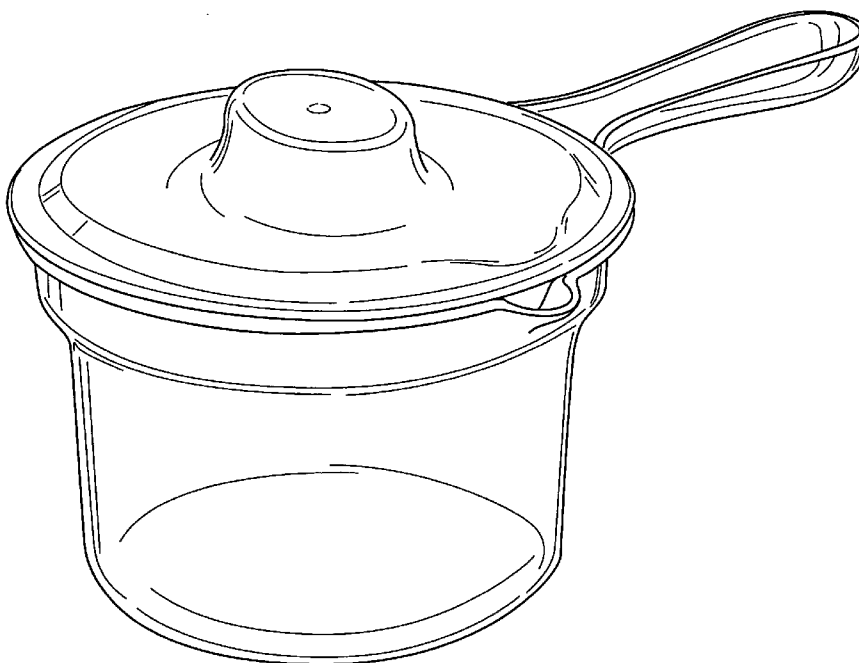
FIG. 4 is a right end view of the non-staining sauce pot with
lid of FIG. 1;

FIG. 5 is a left end view of the non-staining sauce pot with lid
of FIG. 1;

FIG. 6 is a top plan view of the non-staining sauce pot with lid
of FIG. 1; and,

FIG. 7 is a bottom plan view of the non-staining sauce pot
with lid of FIG. 1.

1 Claim, 7 Drawing Sheets



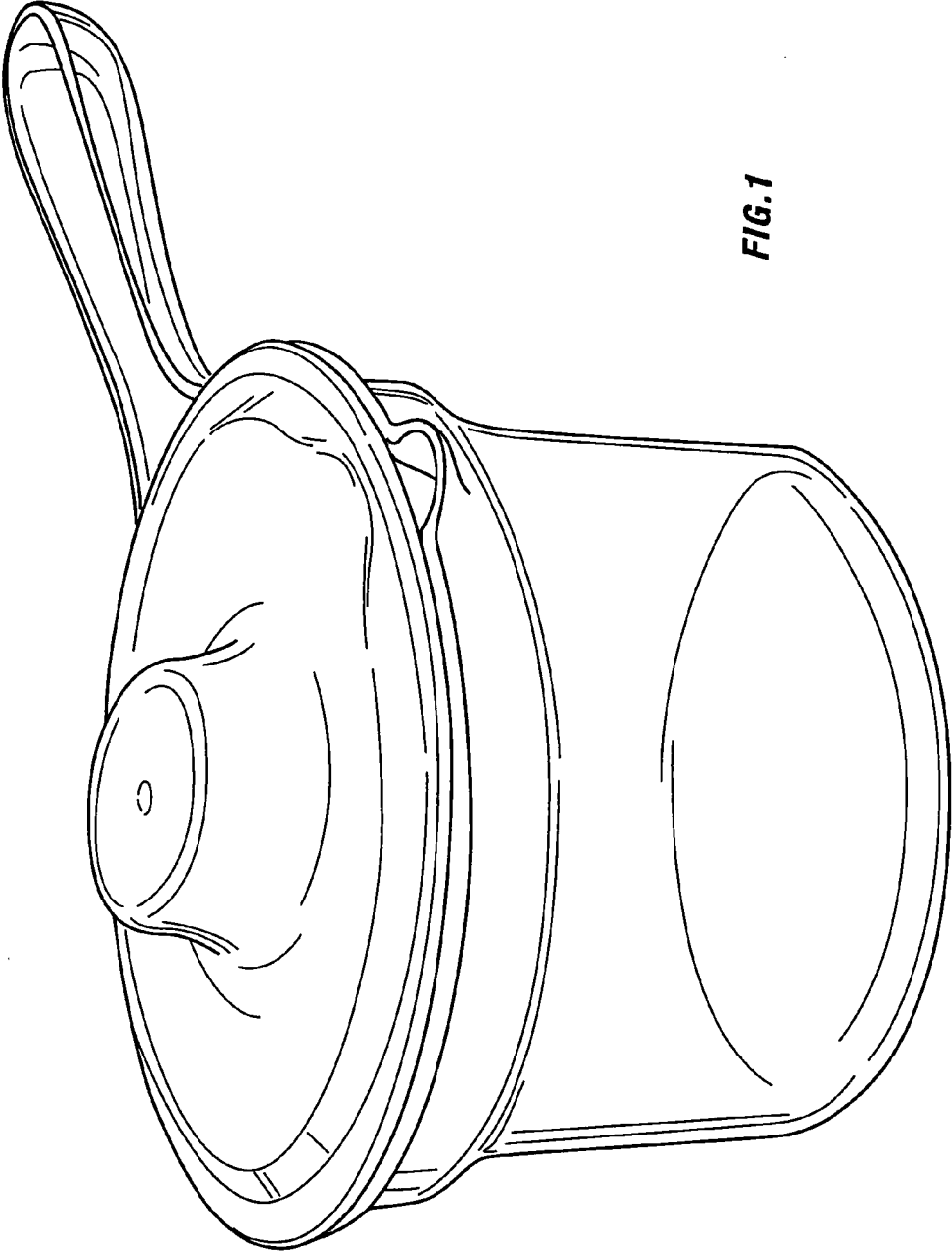


FIG. 1

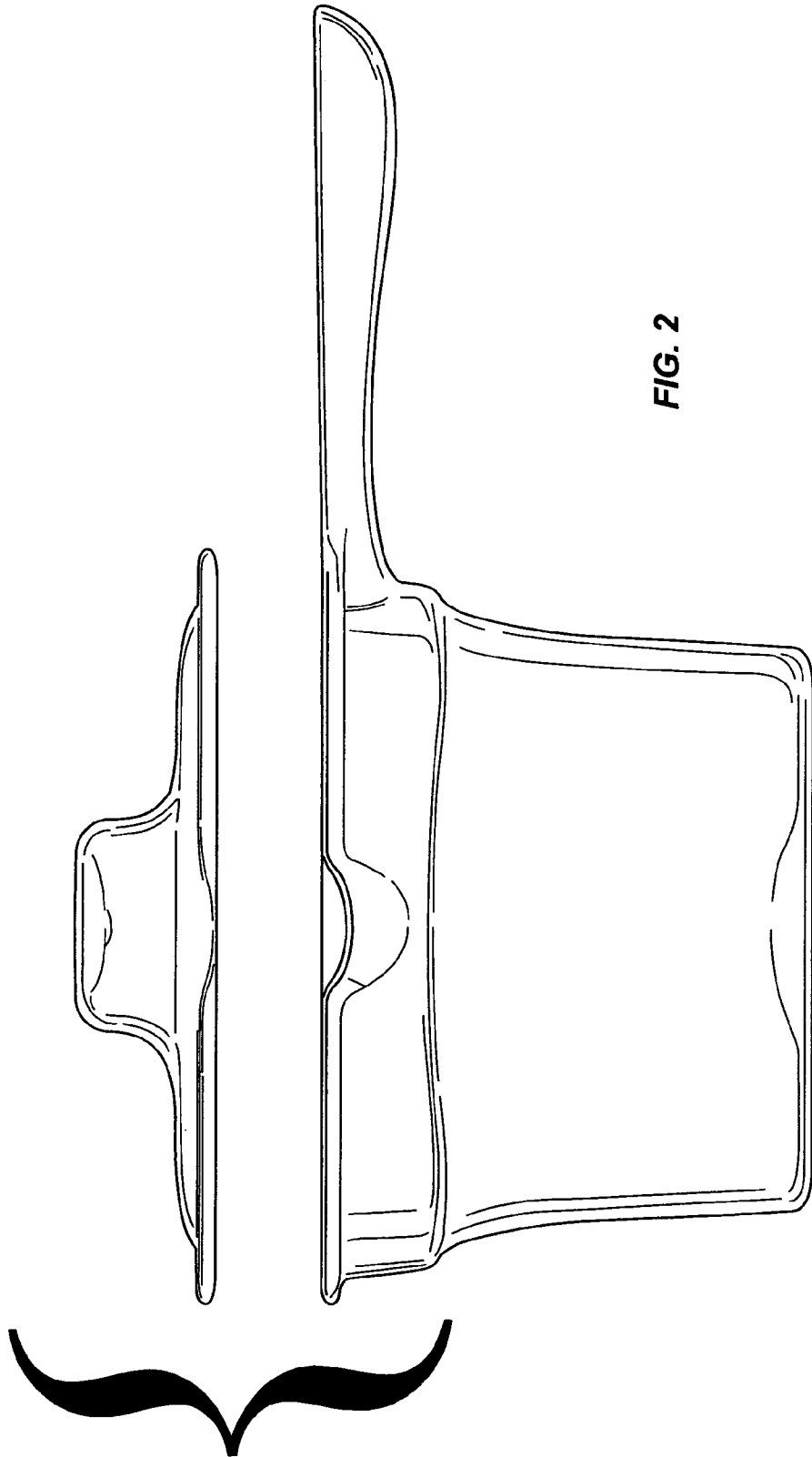


FIG. 2

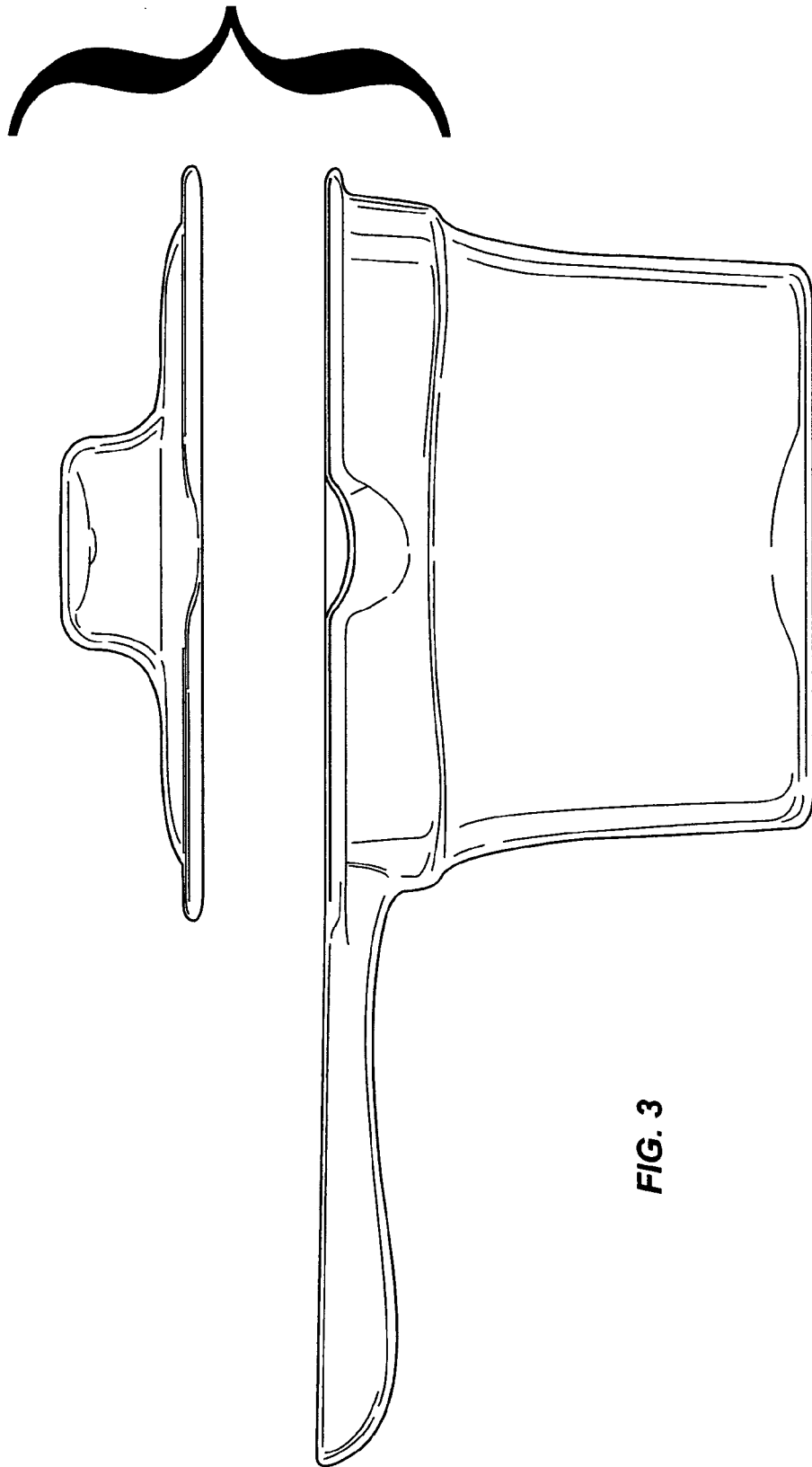


FIG. 3

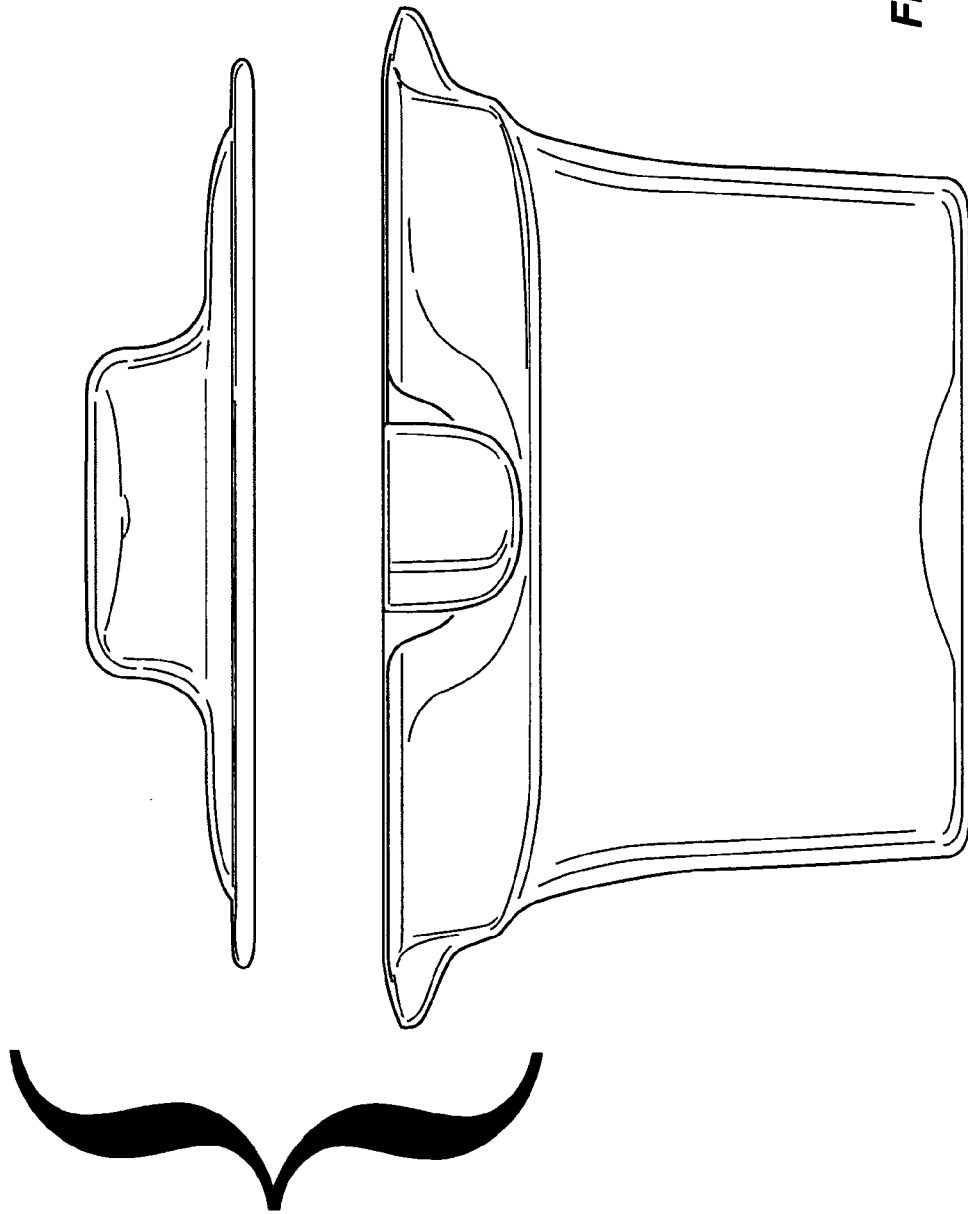


FIG. 4

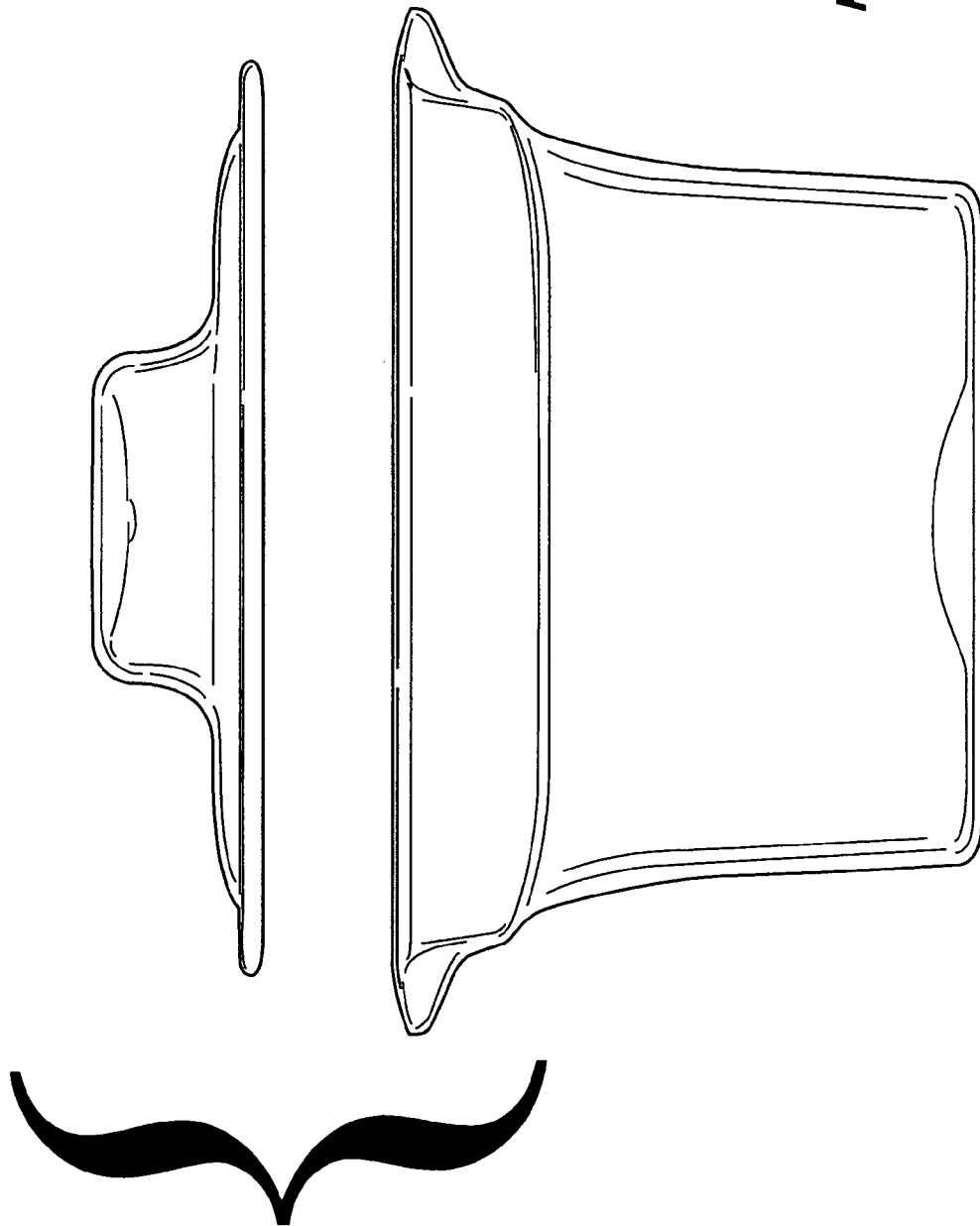


FIG. 5

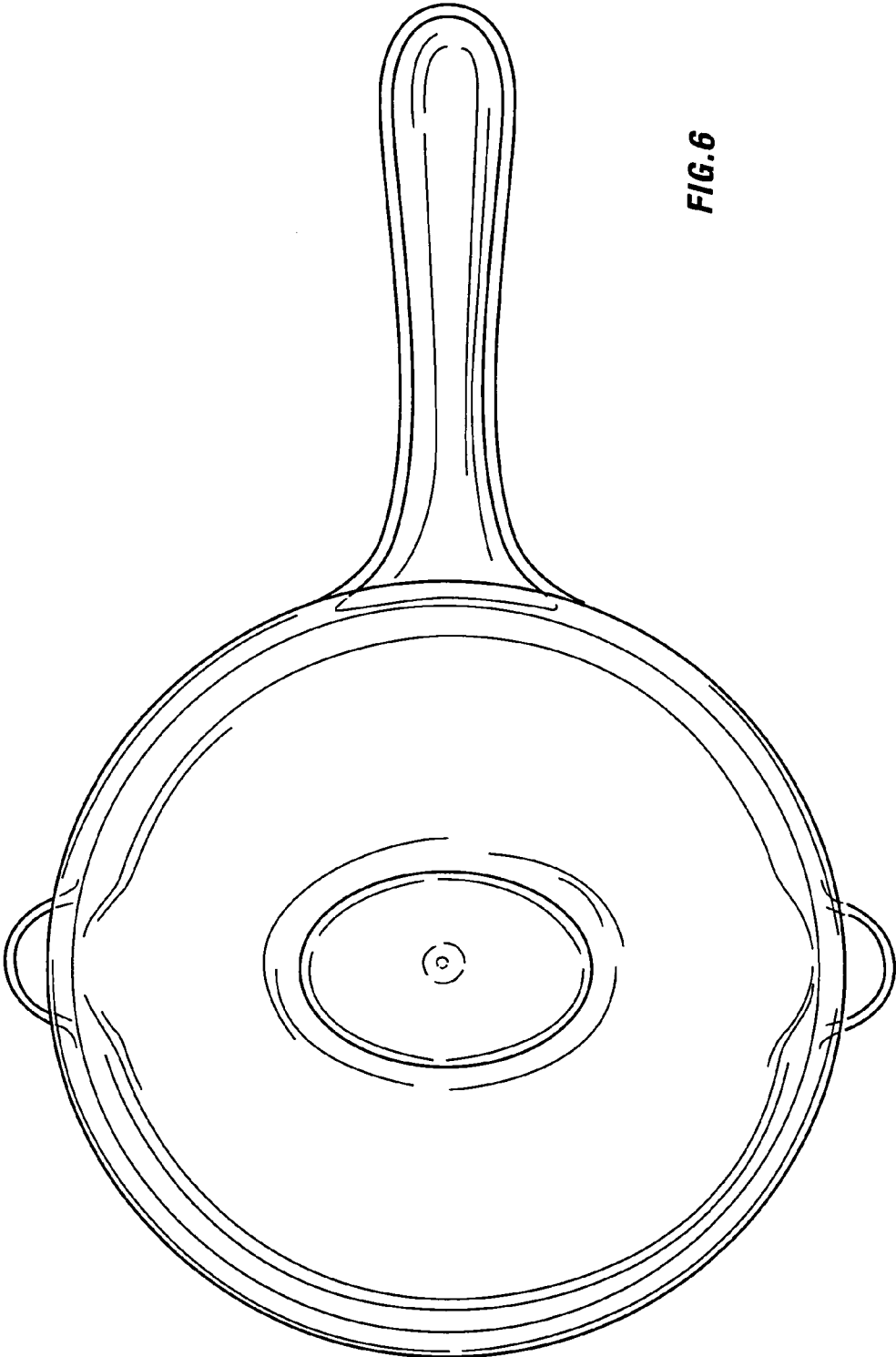


FIG. 6

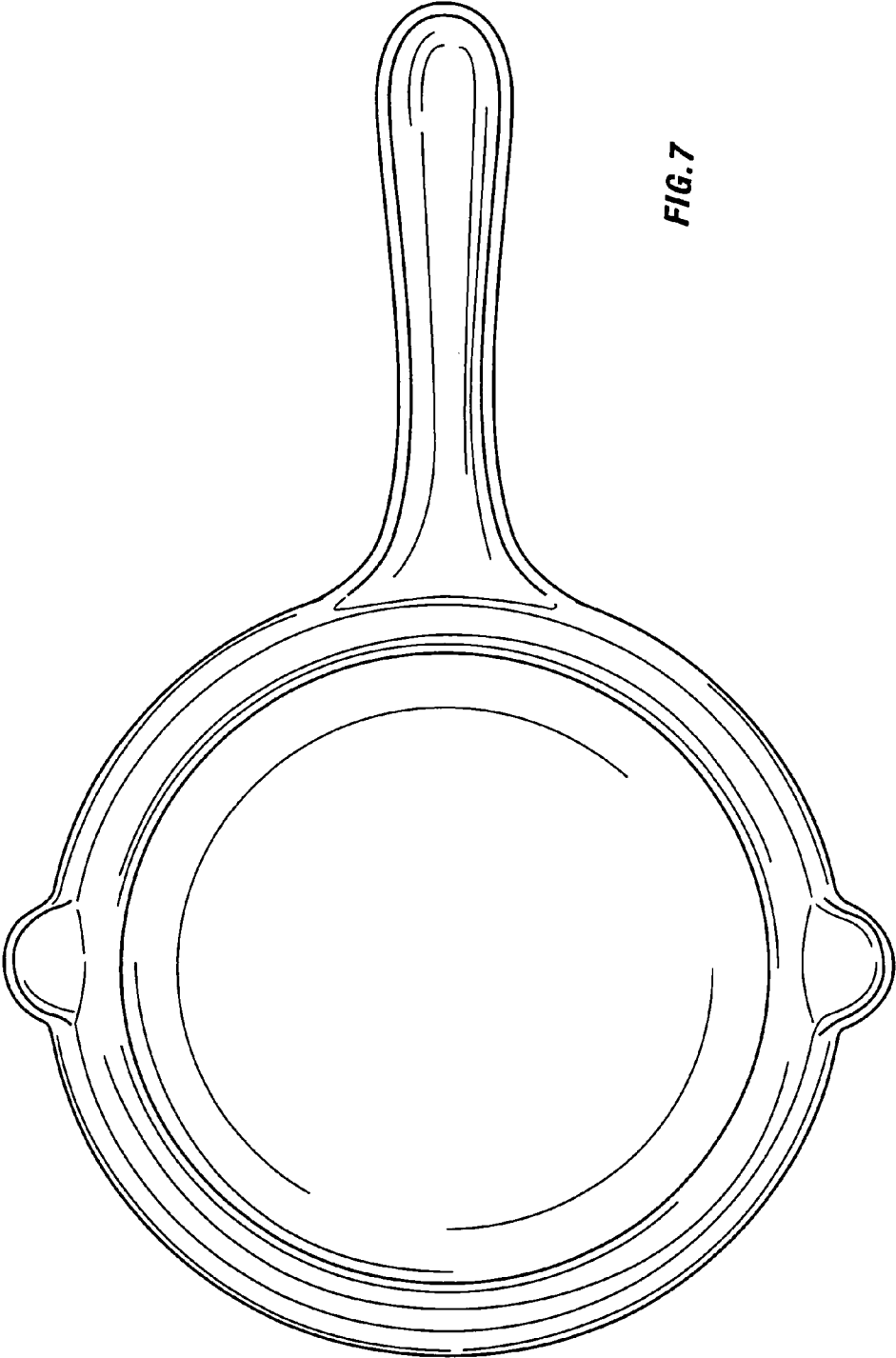


FIG. 7