



US00D993028S

(12) **United States Design Patent**
Lai

(10) **Patent No.:** **US D993,028 S**

(45) **Date of Patent:** **** Jul. 25, 2023**

- (54) **TRUCK RACK SET** 8,668,125 B2 * 3/2014 Williams B60R 9/06
224/403
- (71) Applicant: **Top Racks and Accessories Inc.,** D722,007 S * 2/2015 Ting D12/414
Covina, CA (US) D763,170 S * 8/2016 Marankie D12/414
D843,922 S * 3/2019 Ting D12/414
D931,780 S * 9/2021 Lee D12/406
- (72) Inventor: **Rui Lai, Rowland Heights, CA (US)** 2004/0211802 A1 * 10/2004 Levi B60R 9/0423
224/405
- (73) Assignee: **Top Racks & Accessories Inc., Covina, CA (US)** 2008/0100075 A1 * 5/2008 Derecktor B60P 3/40
296/3
2013/0229025 A1 * 9/2013 Johnasen B60P 3/00
296/3
- (**) Term: **15 Years** 2018/0154817 A1 * 6/2018 Chambers B60P 3/40
2020/0406826 A1 * 12/2020 Ni B60R 9/058
- (21) Appl. No.: **29/775,228**

* cited by examiner

- (22) Filed: **Mar. 22, 2021**
- (51) **LOC (14) Cl.** **12-16**
- (52) **U.S. Cl.**
USPC **D12/406**
- (58) **Field of Classification Search**
USPC D12/406, 407, 412, 413, 414, 414.1;
D6/552; D3/304-306
CPC ... B62D 33/02; B60P 3/00; B60P 3/40; B60R
9/00; B60R 9/045; B60R 9/0423; B60R
9/06; B60R 9/058
See application file for complete search history.

Primary Examiner — Susan E Krakower
Assistant Examiner — Jerry Shiuan-Hua Hsu
(74) *Attorney, Agent, or Firm* — Jen-Feng Lee, Esq.

(57) **CLAIM**

I claim the ornamental design for a truck rack, as shown and described.

DESCRIPTION

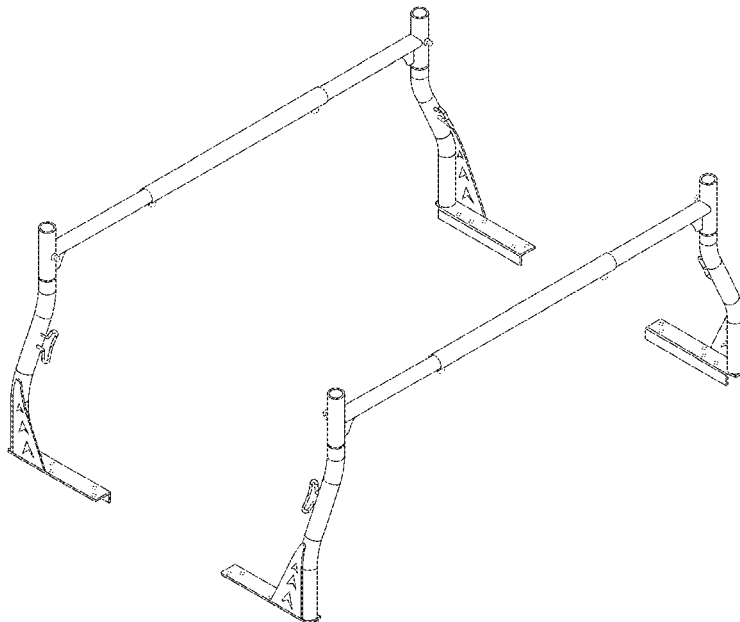
FIG. 1 is a front, left, top perspective view of a truck rack set showing my new design;
FIG. 2 is a front elevational view thereof;
FIG. 3 is a rear elevational view thereof;
FIG. 4 is a left side view thereof;
FIG. 5 is a right side view thereof;
FIG. 6 is a bottom view thereof; and,
FIG. 7 is a top plan view thereof.
The broken lines illustrate portions of the truck rack set which form no part of the claimed design.

1 Claim, 7 Drawing Sheets

(56) **References Cited**

U.S. PATENT DOCUMENTS

- 5,238,280 A * 8/1993 Christensen B60R 9/00
296/3
- 5,494,327 A * 2/1996 Derecktor B60P 3/40
224/544
- D398,284 S * 9/1998 Carter D12/406
- D467,862 S * 12/2002 Jenkins D12/414
- 7,296,836 B1 * 11/2007 Sabo B60P 3/40
296/3
- 7,464,977 B1 * 12/2008 Price B60P 3/40
296/26.05
- D633,431 S * 3/2011 Kennedy D12/412



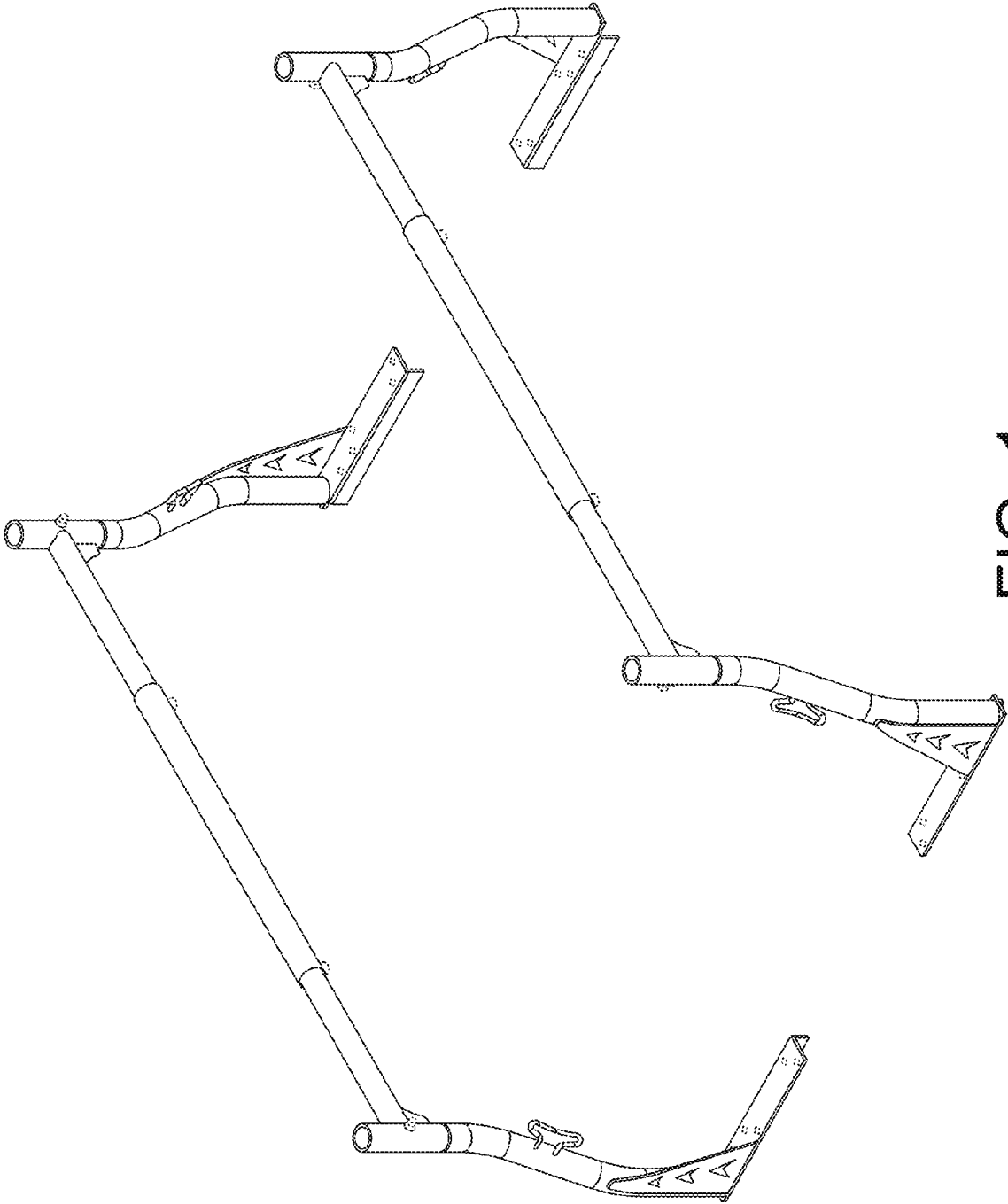


FIG. 1

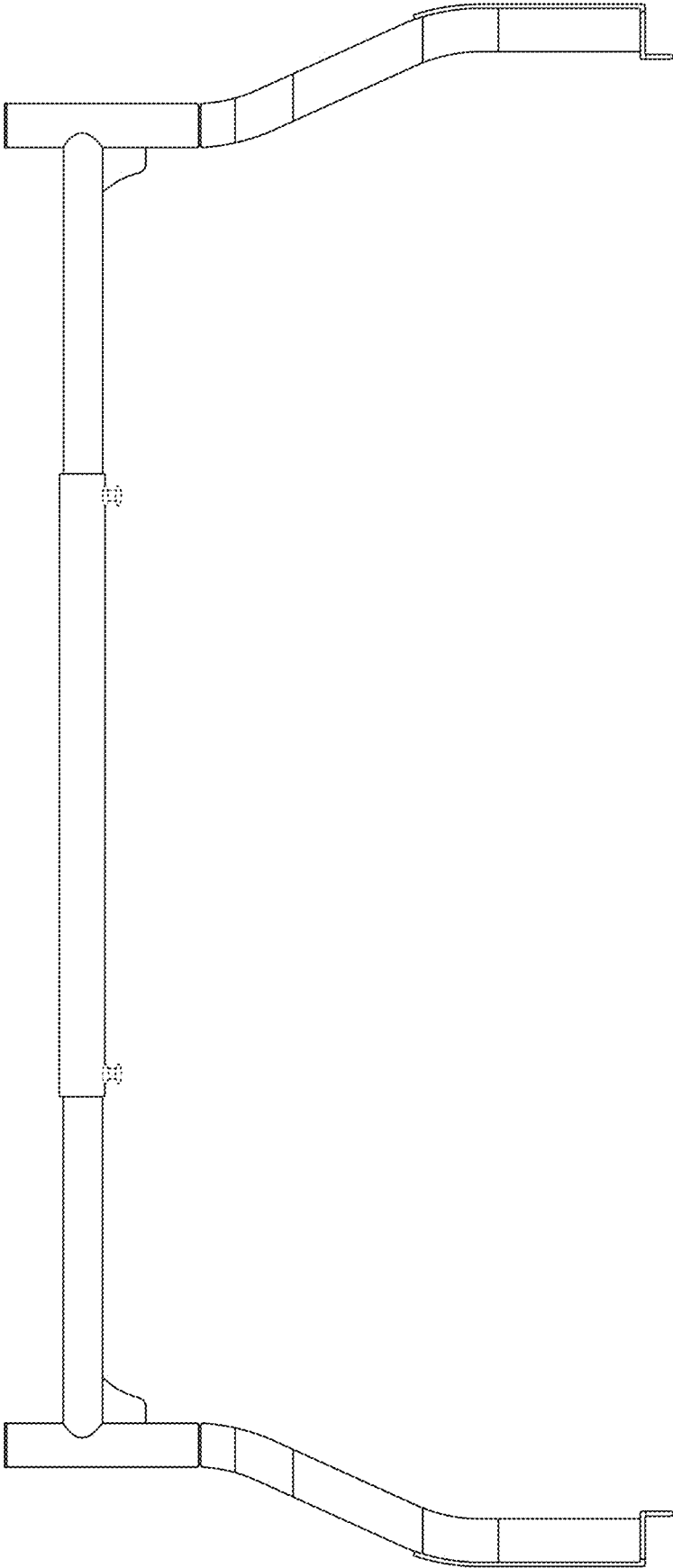


FIG. 2

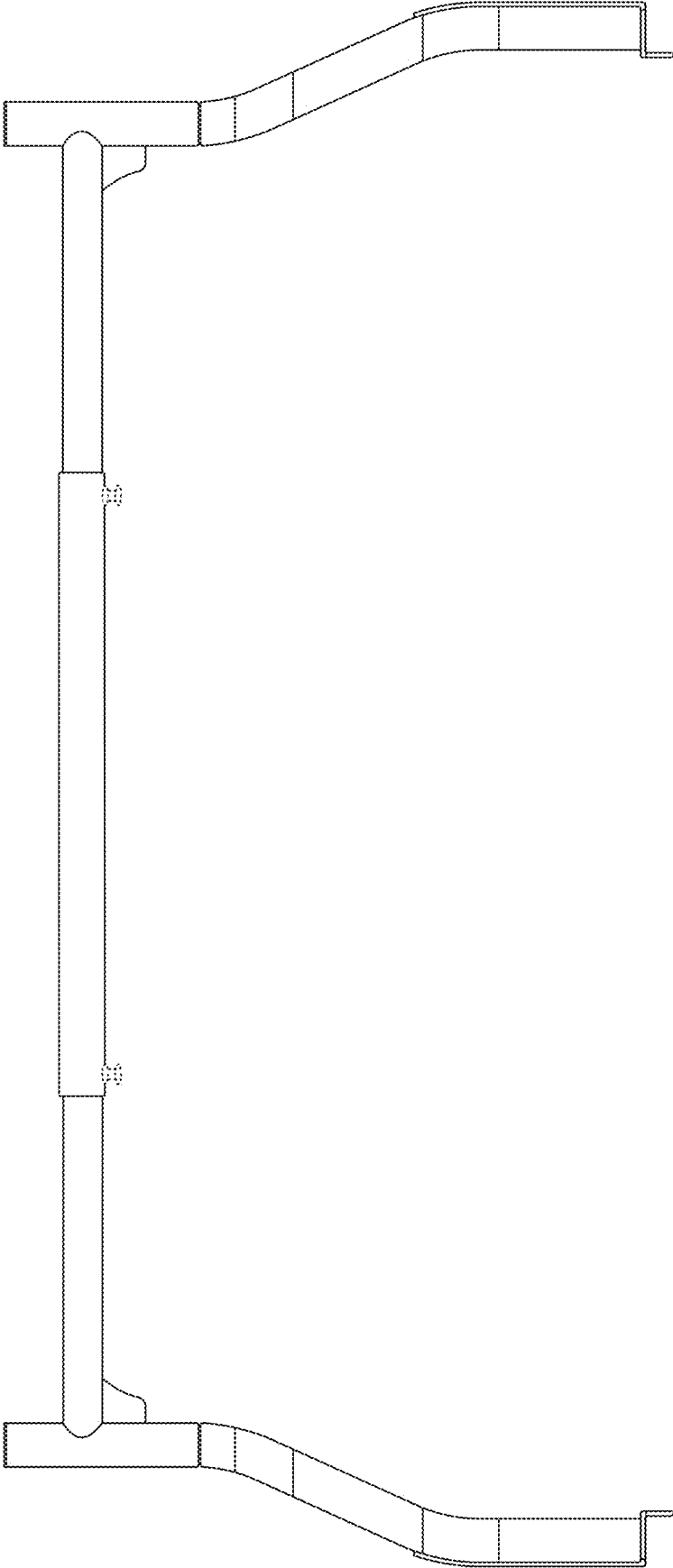


FIG. 3

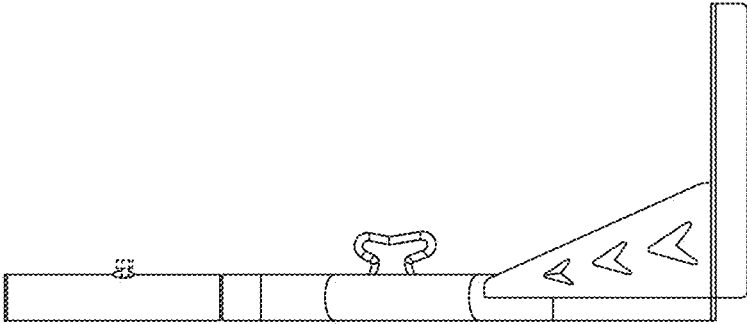
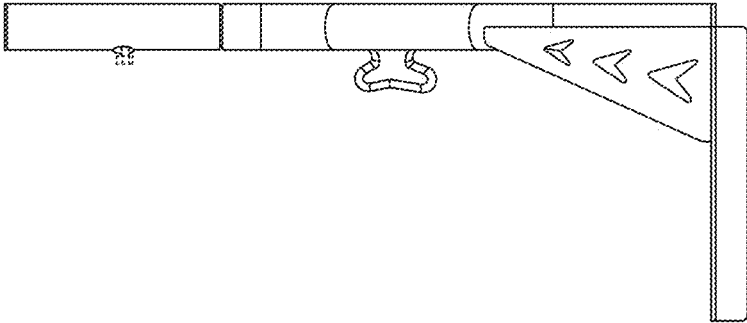


FIG. 4

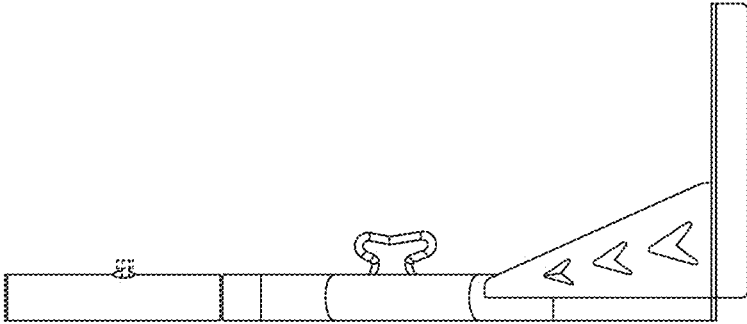
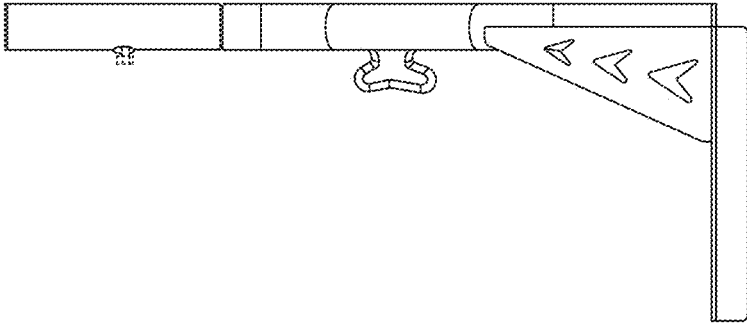


FIG. 5

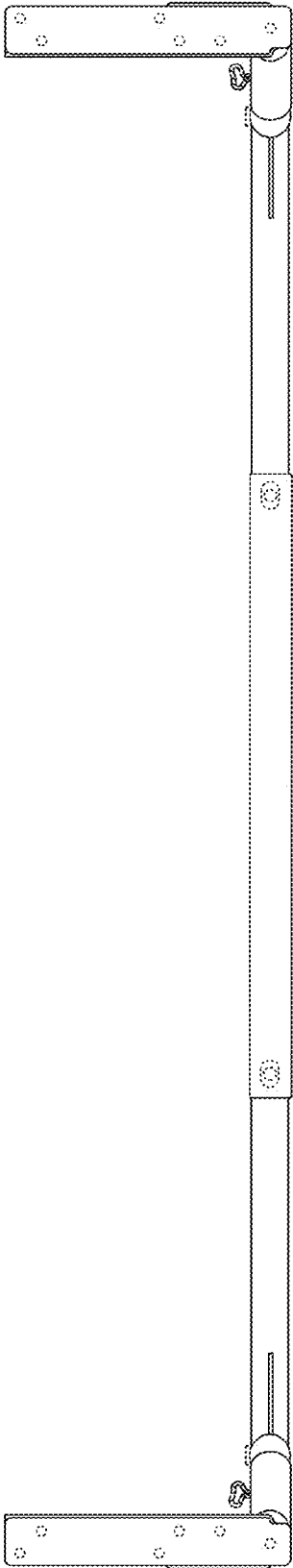
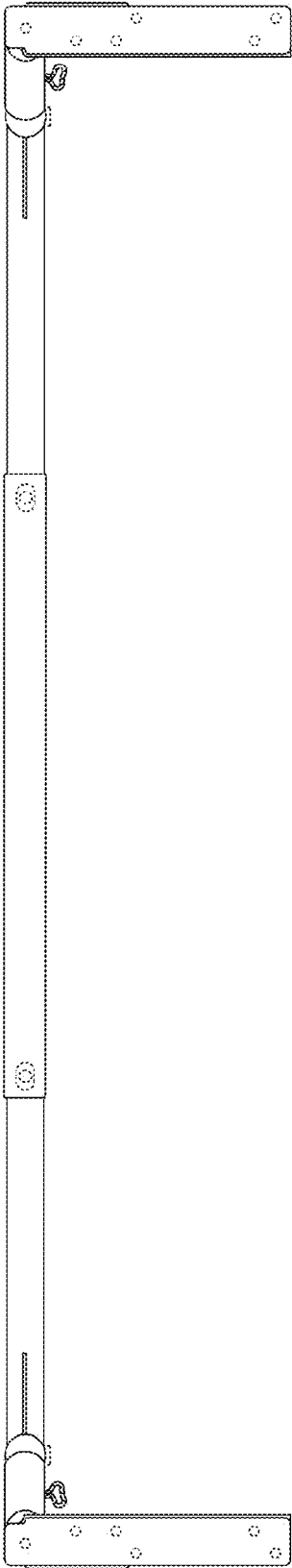


FIG. 6

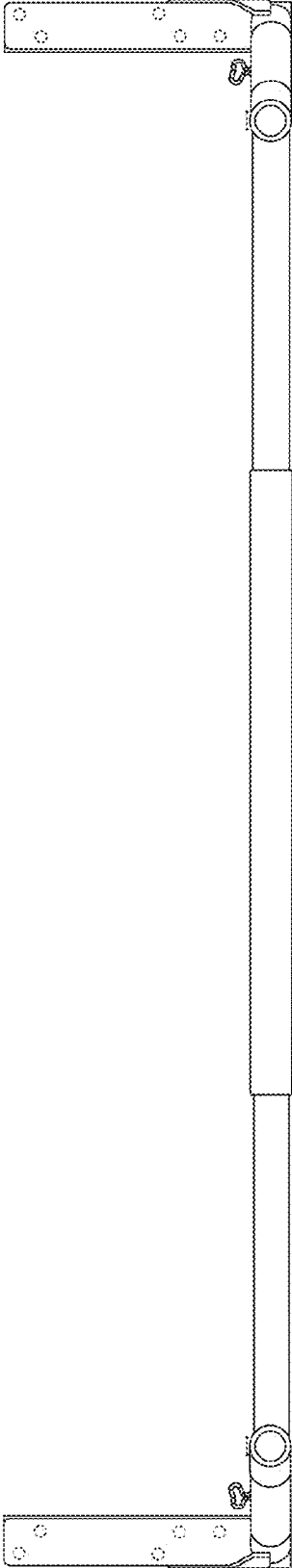
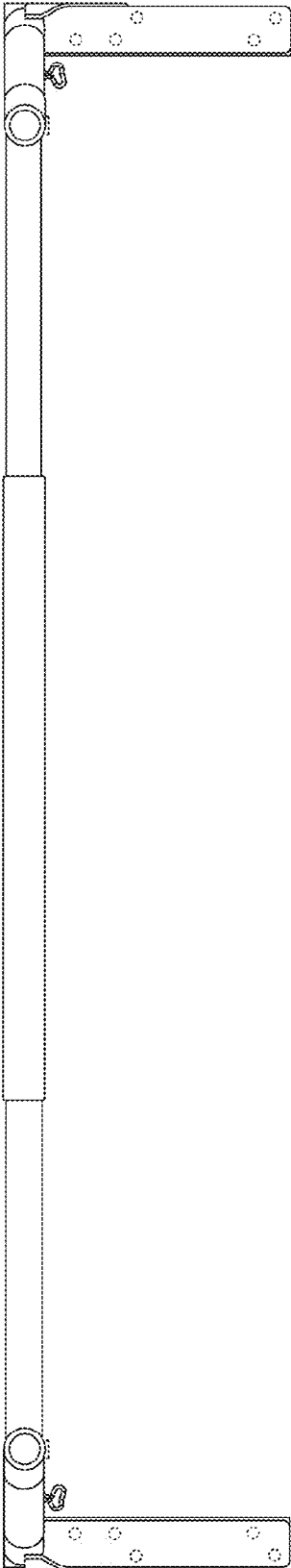


FIG. 7