

(19) World Intellectual Property Organization
International Bureau



(43) International Publication Date
2 February 2006 (02.02.2006)

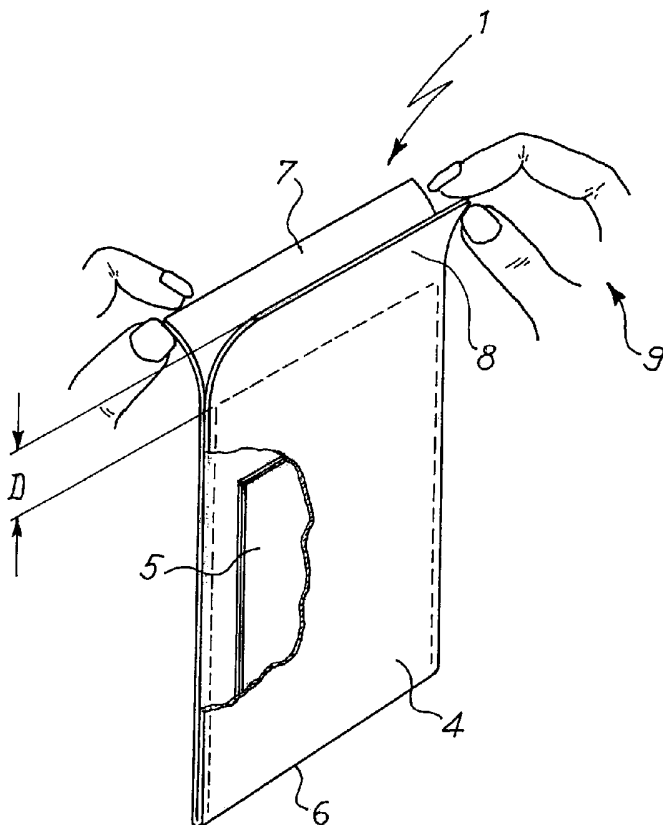
PCT

(10) International Publication Number
WO 2006/010624 A3

- (51) **International Patent Classification:**
B65D 75/20 (2006.01) B65D 75/58 (2006.01)
B65D 75/30 (2006.01)
- (21) **International Application Number:**
PCT/EP2005/008234
- (22) **International Filing Date:** 29 July 2005 (29.07.2005)
- (25) **Filing Language:** English
- (26) **Publication Language:** English
- (30) **Priority Data:**
04425581.8 29 July 2004 (29.07.2004) EP
- (71) **Applicant (for all designated States except US):** GUALA
PACK S.P.A. [IT/IT]; Strada Alessandria-Acqui 2/A,
I-15073 Castellazzo Bormida (IT).
- (72) **Inventor; and**
- (75) **Inventor/Applicant (for US only):** PARADISO, Mas-
simo [IT/IT]; SS91 Varano, 47, I-84020 Serradarce (IT).
- (74) **Agents:** CATTANEO, Elisabetta et al.; c/o Perani Mez-
zanotte & Partners, Piazza San Babila, 5, I-20122 Milano
(IT).
- (81) **Designated States (unless otherwise indicated, for every
kind of national protection available):** AE, AG, AL, AM,
AT, AU, AZ, BA, BB, BG, BR, BW, BY, BZ, CA, CH, CN,
CO, CR, CU, CZ, DE, DK, DM, DZ, EC, EE, EG, ES, FI,
GB, GD, GE, GH, GM, HR, HU, ID, IL, IN, IS, JP, KE,
KG, KM, KP, KR, KZ, LC, LK, LR, LS, LT, LU, LV, MA,
MD, MG, MK, MN, MW, MX, MZ, NA, NG, NI, NO, NZ,
OM, PG, PH, PL, PT, RO, RU, SC, SD, SE, SG, SK, SL,
SM, SY, TJ, TM, TN, TR, TT, TZ, UA, UG, US, UZ, VC,
VN, YU, ZA, ZM, ZW.
- (84) **Designated States (unless otherwise indicated, for every
kind of regional protection available):** ARIPO (BW, GH,
GM, KE, LS, MW, MZ, NA, SD, SL, SZ, TZ, UG, ZM,
ZW), Eurasian (AM, AZ, BY, KG, KZ, MD, RU, TJ, TM),
European (AT, BE, BG, CH, CY, CZ, DE, DK, EE, ES, FI,
FR, GB, GR, HU, IE, IS, IT, LT, LU, LV, MC, NL, PL, PT,
RO, SE, SI, SK, TR), OAPI (BF, BJ, CF, CG, CI, CM, GA,
GN, GQ, GW, ML, MR, NE, SN, TD, TG).
- Published:**
— with international search report

[Continued on next page]

(54) **Title:** CONTAINER FOR SEMIDENSE OR LIQUID COSMETIC OR PHARMACEUTICAL PRODUCTS COMBINED WITH AN APPLICATOR FOR THE SAID COSMETIC OR PHARMACEUTICAL PRODUCTS



(57) **Abstract:** This invention relates to a container for semidense or liquid cosmetic or pharmaceutical products combined with an applicator (3) for the said cosmetic or pharmaceutical products, the said container (2) comprising a sheet of flexible material (4) welded around the said applicator (3), the said applicator (3) comprising a support (5) preimpregnated with the said cosmetic or pharmaceutical products, the said sheet (4) of flexible material being folded upon itself along a fold line (6) to enclose the said support (5), characterised in that the said support (5) is associated with the said sheet (4) of flexible material and in that the said sheet (4) is welded in such a way as to form a pair of flaps (7, 8) so as to permit a user (9) to open and use the said container (1) without touching the said support (5).

WO 2006/010624 A3



— *before the expiration of the time limit for amending the claims and to be republished in the event of receipt of amendments*

For two-letter codes and other abbreviations, refer to the "Guidance Notes on Codes and Abbreviations" appearing at the beginning of each regular issue of the PCT Gazette.

(88) Date of publication of the international search report:

23 March 2006

INTERNATIONAL SEARCH REPORT

International Application No
PCT/EP 2005/008234

A. CLASSIFICATION OF SUBJECT MATTER
B65D75/20 B65D75/30 B65D75/58

According to International Patent Classification (IPC) or to both national classification and IPC

B. FIELDS SEARCHED

Minimum documentation searched (classification system followed by classification symbols)
B65D

Documentation searched other than minimum documentation to the extent that such documents are included in the fields searched

Electronic data base consulted during the international search (name of data base and, where practical, search terms used)
EPO-Internal

C. DOCUMENTS CONSIDERED TO BE RELEVANT

Category*	Citation of document, with indication, where appropriate, of the relevant passages	Relevant to claim No.
X	US 4 896 768 A (ANDERSON LESLIE B) 30 January 1990 (1990-01-30)	1,2,5-10
Y	column 3, lines 1-42; claims 1,12; figures 1,2,6	3
Y	----- US 6 326 069 B1 (BARNETT ROGER ET AL) 4 December 2001 (2001-12-04)	3
	column 5, lines 48-58; figure 1	
X	----- DE 35 08 445 A (PAULY HANS) 11 September 1986 (1986-09-11)	1,2,4, 7-10
	page 2; claim 1; figures 1,2	
A	----- US 5 645 161 A (DOBLER SVEN ET AL) 8 July 1997 (1997-07-08)	1-10
	column 3, line 13 - column 4, line 14; figures 1,2	
	----- -/--	

Further documents are listed in the continuation of Box C.

See patent family annex.

* Special categories of cited documents :

- *A* document defining the general state of the art which is not considered to be of particular relevance
- *E* earlier document but published on or after the international filing date
- *L* document which may throw doubts on priority claim(s) or which is cited to establish the publication date of another citation or other special reason (as specified)
- *O* document referring to an oral disclosure, use, exhibition or other means
- *P* document published prior to the international filing date but later than the priority date claimed

- *T* later document published after the international filing date or priority date and not in conflict with the application but cited to understand the principle or theory underlying the invention
- *X* document of particular relevance; the claimed invention cannot be considered novel or cannot be considered to involve an inventive step when the document is taken alone
- *Y* document of particular relevance; the claimed invention cannot be considered to involve an inventive step when the document is combined with one or more other such documents, such combination being obvious to a person skilled in the art.
- *&* document member of the same patent family

Date of the actual completion of the international search

27 January 2006

Date of mailing of the international search report

08/02/2006

Name and mailing address of the ISA/

European Patent Office, P.B. 5818 Patentlaan 2
NL - 2280 HV Rijswijk
Tel. (+31-70) 340-2040, Tx. 31 651 epo nl,
Fax: (+31-70) 340-3016

Authorized officer

Cazacu, C

INTERNATIONAL SEARCH REPORT

 International application No
 PCT/EP2005/008234

C(Continuation). DOCUMENTS CONSIDERED TO BE RELEVANT

Category*	Citation of document, with indication, where appropriate, of the relevant passages	Relevant to claim No.
A	US 3 938 659 A (WARDWELL CHARLES R) 17 February 1976 (1976-02-17) column 2, line 59 - column 4, line 24; claim 12; figures 1-3 -----	1-10
A	FR 2 599 716 A (PLANCHARD CHRISTIAN) 11 December 1987 (1987-12-11) page 7, line 10 - page 10, line 11; figures 1-3 -----	1-10
A	US 3 256 981 A (KURTZ LEONARD D) 21 June 1966 (1966-06-21) column 3, line 1 - column 4, line 21; claims 1,6; figure 1 -----	1-10
A	US 3 595 468 A (REPKO JOHN P) 27 July 1971 (1971-07-27) column 2; figures 1-3 -----	1-10
A	US 4 372 098 A (MASON ET AL) 8 February 1983 (1983-02-08) column 3; lines 3-12; figures 1-3 -----	1-10

INTERNATIONAL SEARCH REPORT

ation on patent family members

International Application No

PCT/EP2005/008234

Patent document cited in search report		Publication date	Patent family member(s)	Publication date
US 4896768	A	30-01-1990	CA 1286218 C	16-07-1991
US 6326069	B1	04-12-2001	AT 237461 T	15-05-2003
			AU 738533 B2	20-09-2001
			AU 8073098 A	30-12-1998
			BR 9810249 A	19-09-2000
			CA 2293353 A1	17-12-1998
			DE 69813610 D1	22-05-2003
			DE 69813610 T2	25-03-2004
			DE 1034073 T1	19-07-2001
			EP 1034073 A1	13-09-2000
			ES 2195350 T3	01-12-2003
			JP 3637359 B2	13-04-2005
			JP 2002511824 T	16-04-2002
			PL 343893 A1	10-09-2001
			PT 1034073 T	30-09-2003
			WO 9856568 A1	17-12-1998
DE 3508445	A	11-09-1986	NONE	
US 5645161	A	08-07-1997	US 6364097 B1	02-04-2002
US 3938659	A	17-02-1976	CA 1066963 A1	27-11-1979
FR 2599716	A	11-12-1987	NONE	
US 3256981	A	21-06-1966	NONE	
US 3595468	A	27-07-1971	NONE	
US 4372098	A	08-02-1983	NONE	