



US00D999645S

(12) **United States Design Patent**
Kobler

(10) **Patent No.:** **US D999,645 S**

(45) **Date of Patent:** **** Sep. 26, 2023**

(54) **SMALL VOLUME BEVERAGE CONTAINER**

(71) Applicant: **Anthony Kobler**, Aurora, CO (US)

(72) Inventor: **Anthony Kobler**, Aurora, CO (US)

(**) Term: **15 Years**

(21) Appl. No.: **29/757,052**

(22) Filed: **Nov. 2, 2020**

Related U.S. Application Data

(63) Continuation of application No. 17/085,538, filed on Oct. 30, 2020, and a continuation of application No. 16/501,135, filed on Nov. 1, 2019.

(51) **LOC (14) Cl.** **09-01**

(52) **U.S. Cl.**
USPC **D9/772**

(58) **Field of Classification Search**

USPC .. D9/500, 763-783, 416, 434, 435, 438, 518, D9/902, 903, 743-745
CPC B21D 51/26; B21D 51/383; B29C 66/71; B65D 1/00; B65D 1/02; B65D 1/12; B65D 1/14; B65D 1/40; B65D 1/44; B65D 1/023; B65D 1/0223; B65D 1/165; B65D 1/238; B65D 1/246; B65D 1/253; B65D 7/04; B65D 21/0209; B65D 21/0233; B65D 25/00; B65D 25/28; B65D 41/0457; B65D 41/17; B65D 53/06; B65D 75/56; B65D 79/005; B65D 2501/0036; B65D 2543/00064; B65D 2543/00074; B65D 2543/00083; B65D 2543/00092; B65D 2543/00101; B65D 2543/00111; Y10T 29/49826

See application file for complete search history.

(56) **References Cited**

U.S. PATENT DOCUMENTS

D253,580 S * 12/1979 Mascia D9/518
D253,632 S * 12/1979 Mascia D9/518
D253,633 S * 12/1979 Mascia D9/518
D253,634 S * 12/1979 Mascia D9/518

D253,635 S * 12/1979 Mascia D9/518
D305,303 S * 1/1990 Saunders D9/518
4,930,636 A 6/1990 Meadows

(Continued)

FOREIGN PATENT DOCUMENTS

GR 20160100385 A 3/2018
WO 2017183971 A1 10/2017

OTHER PUBLICATIONS

Mohan, Anne Marie, "Portable, stackable single-serve wine launched", Packaging World, Aug. 22, 2012, 7 pp.

(Continued)

Primary Examiner — Keli L Hill

(74) *Attorney, Agent, or Firm* — Perkins Coie LLP

(57) **CLAIM**

The ornamental design for a SMALL VOLUME BEVERAGE CONTAINER as shown and described.

DESCRIPTION

FIG. 1 is a top, front perspective view of a SMALL VOLUME BEVERAGE CONTAINER showing my new design;

FIG. 2 is a front view of the SMALL VOLUME BEVERAGE CONTAINER of FIG. 1;

FIG. 3 is a back view of the SMALL VOLUME BEVERAGE CONTAINER of FIG. 1;

FIG. 4 is a right view of the SMALL VOLUME BEVERAGE CONTAINER of FIG. 1;

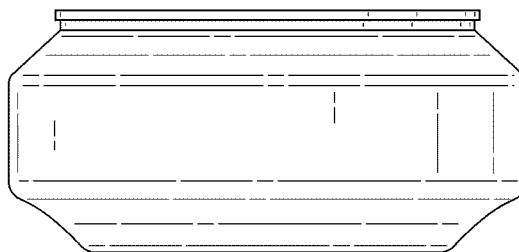
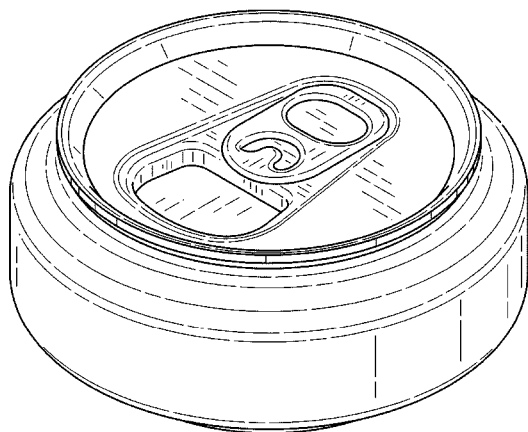
FIG. 5 is a left view of the SMALL VOLUME BEVERAGE CONTAINER of FIG. 1;

FIG. 6 is a top view of the SMALL VOLUME BEVERAGE CONTAINER of FIG. 1; and

FIG. 7 is a top, front perspective view of the SMALL VOLUME BEVERAGE CONTAINER of FIG. 1 stacked on a larger volume beverage container.

FIG. 8 is a top, front perspective view of a stack of the SMALL VOLUME BEVERAGE CONTAINER of FIG. 1.

1 Claim, 8 Drawing Sheets



(56)

References Cited

U.S. PATENT DOCUMENTS

5,279,841	A	1/1994	Yu	
5,385,326	A	1/1995	Bidwell	
D413,264	S	8/1999	Uechi	
6,296,137	B1	10/2001	Bjørnsen	
6,971,521	B2	12/2005	Pinyot	
D530,613	S *	10/2006	Farrow et al.	D9/502
D542,153	S *	5/2007	Farrow et al.	D9/779
D605,061	S *	12/2009	Moreno	D9/777
7,967,135	B2	6/2011	Boatner	
D644,537	S *	9/2011	Hu	D9/779
D654,663	S *	2/2012	Pedersen	D9/503
9,278,781	B1	3/2016	Boldis	
D751,924	S	3/2016	Boldis	
D926,262	S *	7/2021	Falemi et al.	D21/483
D964,861	S *	9/2022	Vidmar	D9/745
D967,717	S *	10/2022	Timmers	D27/172
2004/0159662	A1	8/2004	Johnson et al.	
2004/0163986	A1	8/2004	Pinyot	
2005/0208186	A1	9/2005	Kirkland	
2007/0158225	A1	7/2007	Stephens	
2009/0050637	A1	2/2009	Shetty et al.	
2012/0040058	A1	2/2012	Colo et al.	
2014/0158577	A1	6/2014	Furey	

OTHER PUBLICATIONS

Screen captures from Amazon. Attachment entitled "Smallest Soda Can". Available as: Kidsmania Soda Can Fizzy Candy 72 Can Variety Pack on Jul. 9, 2018 by Asub Shop. Retrieved from the Internet: <https://www.amazon.com/Kidsmania-Soda-Fizzy-Candy-Variety/dp/B0108A2TM8/> (Year: 2018).

* cited by examiner

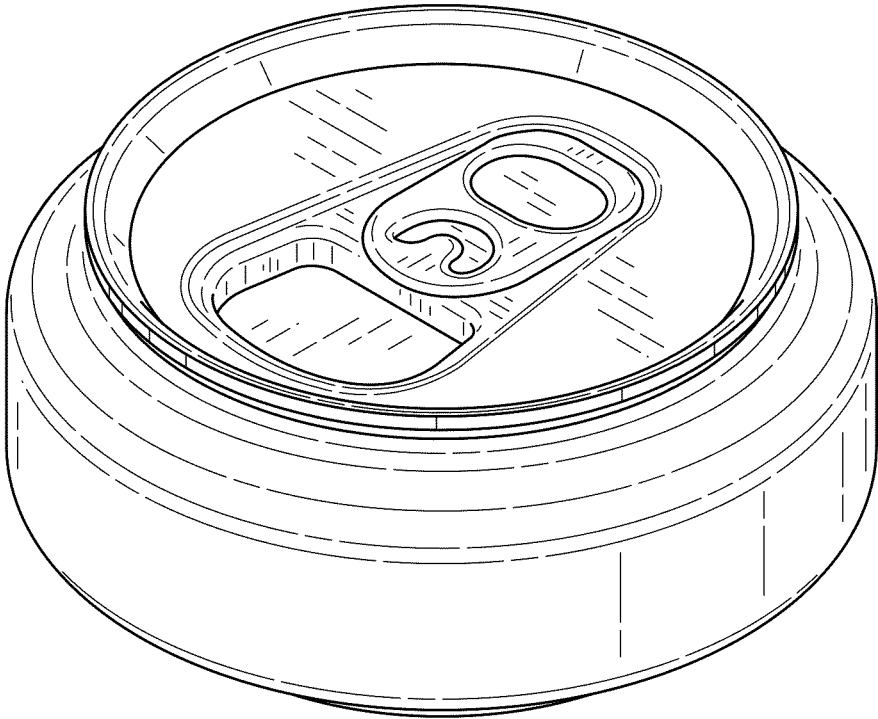


FIG.1

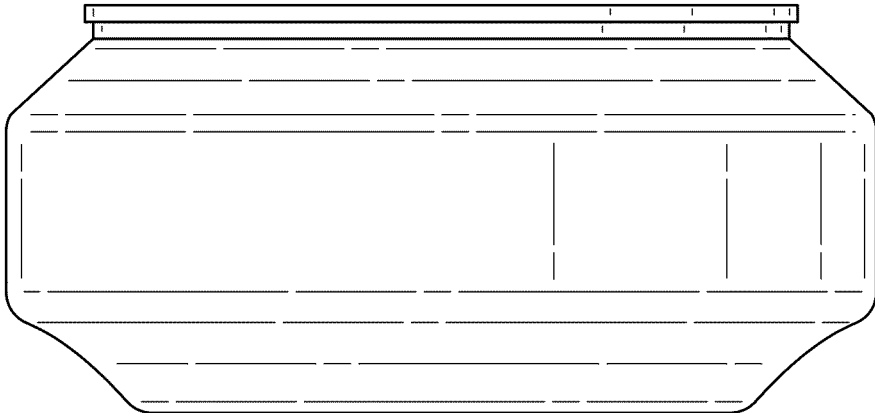


FIG.2

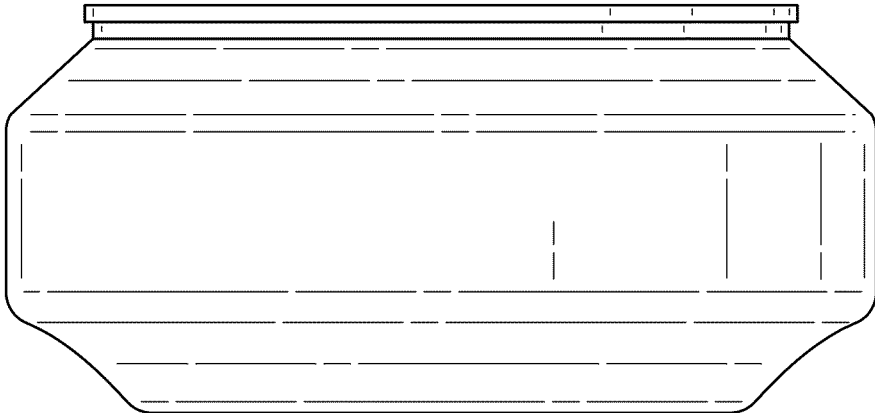


FIG.3

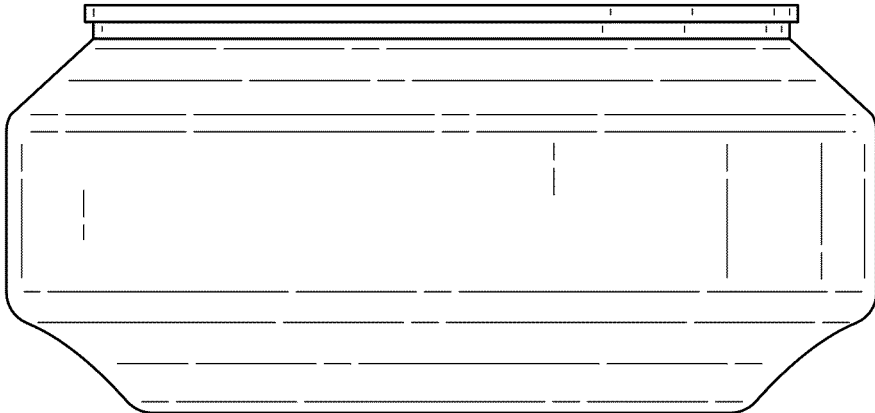


FIG.4

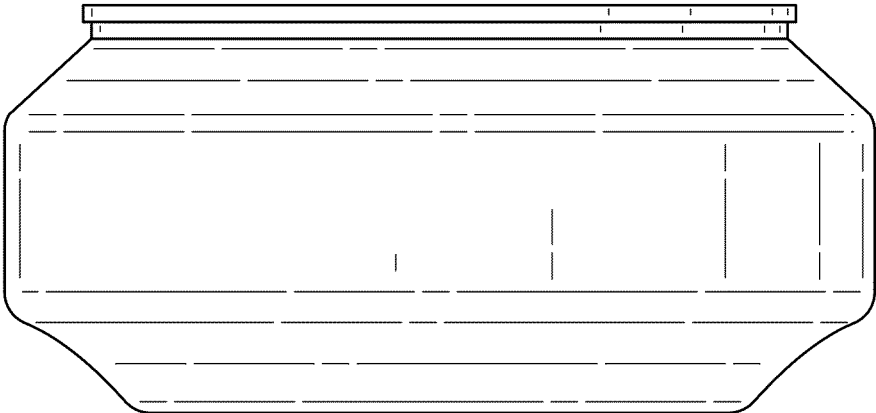


FIG.5

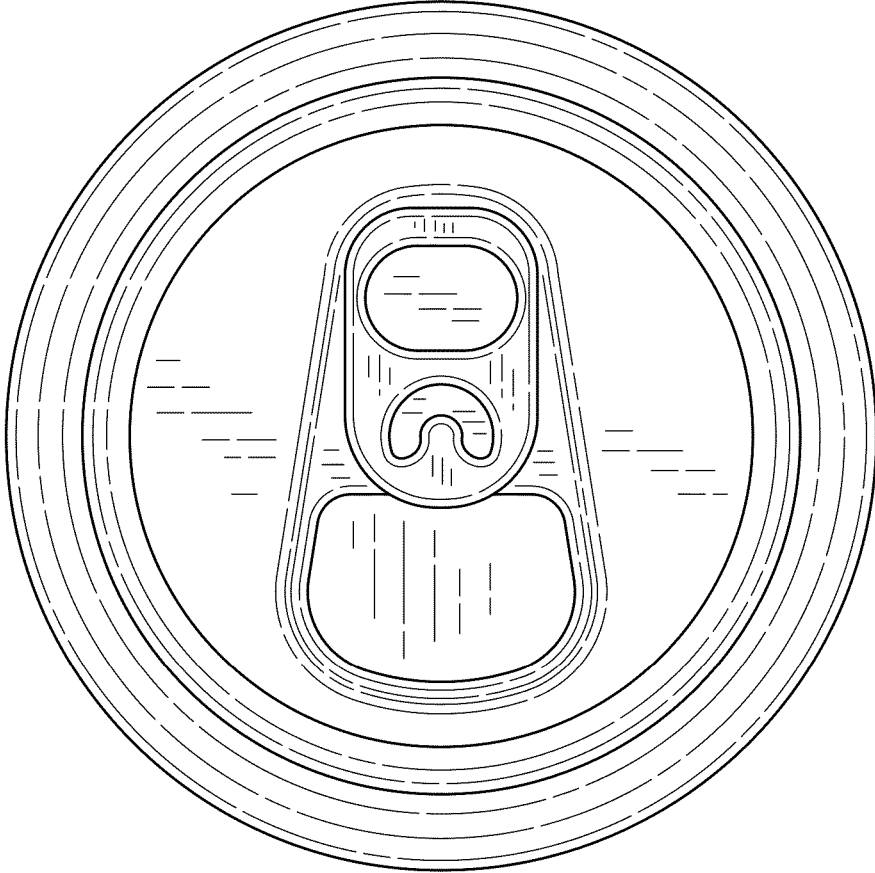


FIG.6

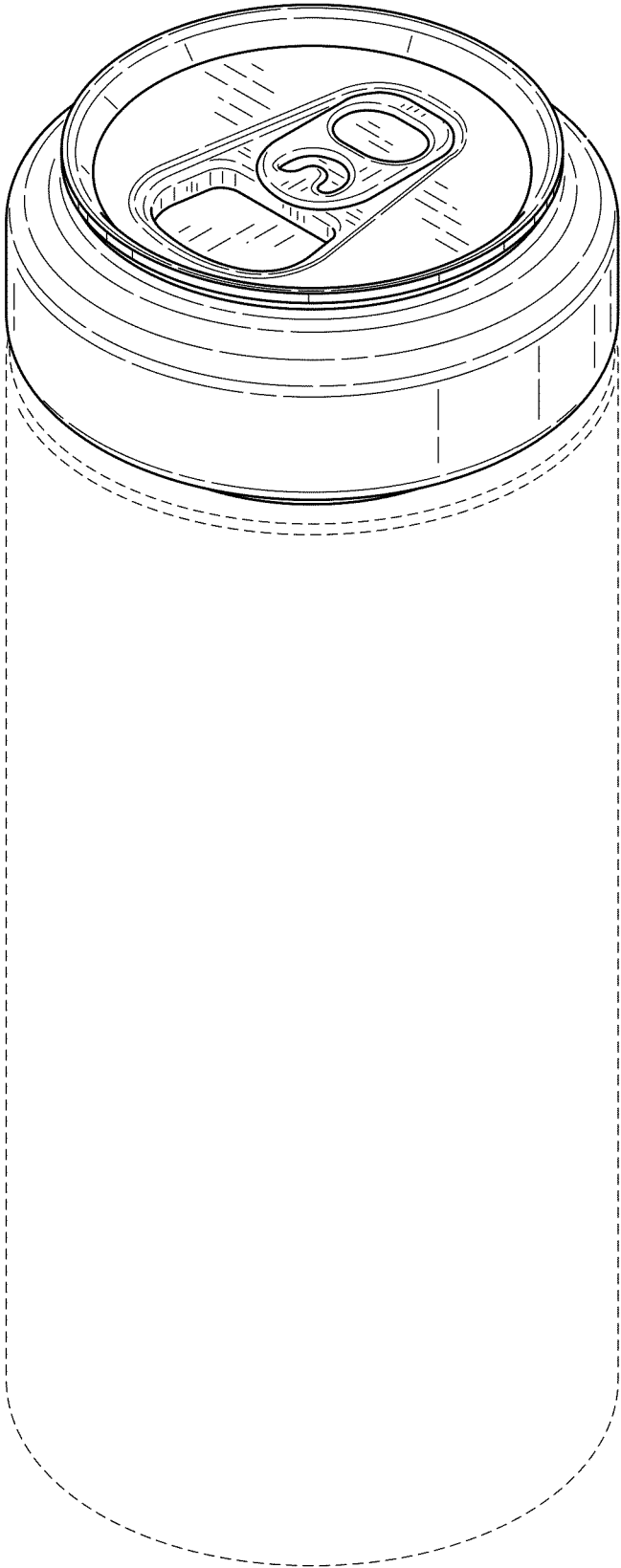


FIG.7

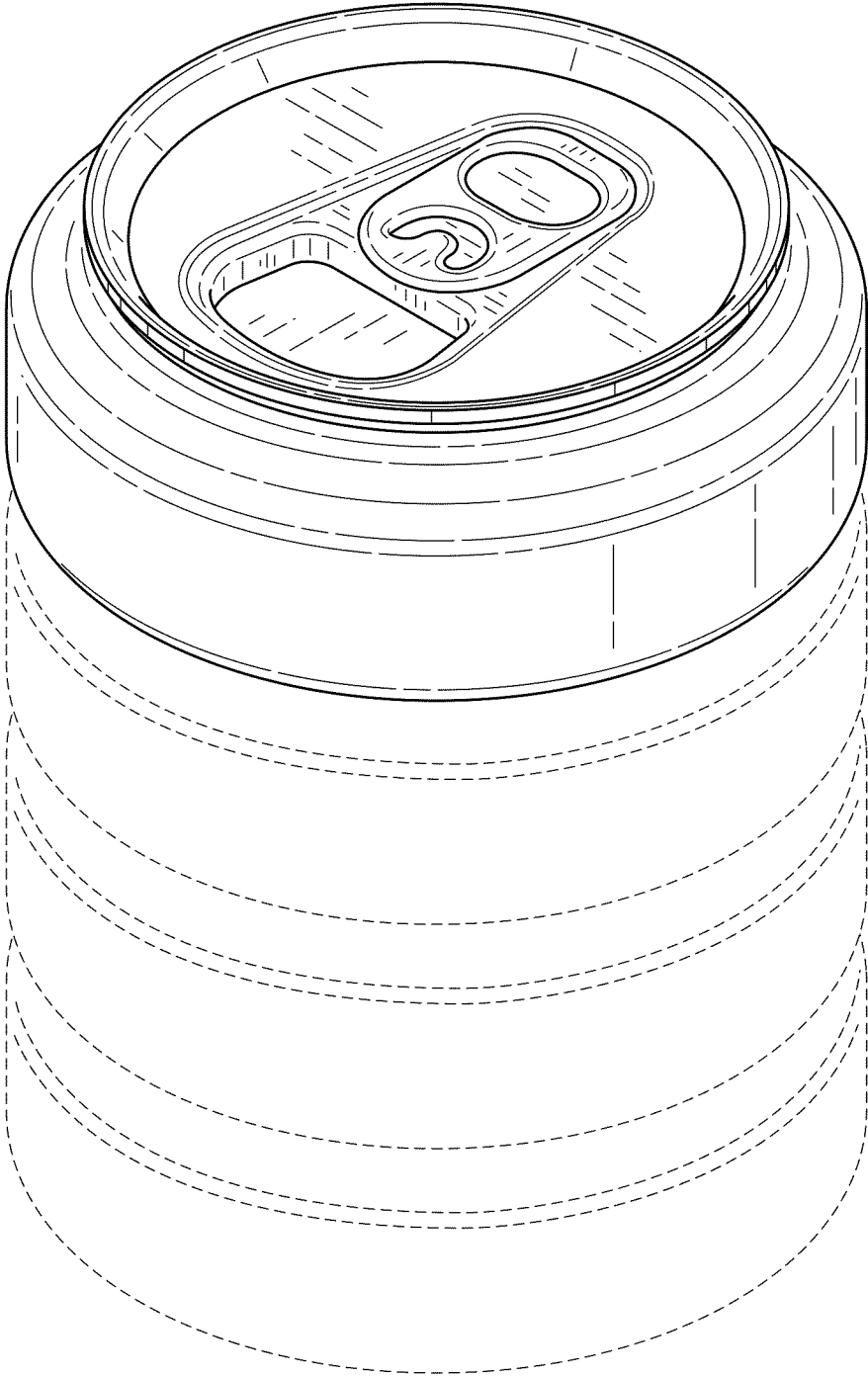


FIG.8