

(19) World Intellectual Property Organization
International Bureau



(43) International Publication Date
10 December 2009 (10.12.2009)

PCT

(10) International Publication Number
WO 2009/146709 A3

(51) International Patent Classification:
A47B 9/04 (2006.01)

(74) Agent: LINAK A/S; Patent Department, P.O. Box 238,
DK-9100 Aalborg (DK).

(21) International Application Number:
PCT/DK2009/000137

(81) Designated States (unless otherwise indicated, for every kind of national protection available): AE, AG, AL, AM, AO, AT, AU, AZ, BA, BB, BG, BH, BR, BW, BY, BZ, CA, CH, CL, CN, CO, CR, CU, CZ, DE, DK, DM, DO, DZ, EC, EE, EG, ES, FI, GB, GD, GE, GH, GM, GT, HN, HR, HU, ID, IL, IN, IS, JP, KE, KG, KM, KN, KP, KR, KZ, LA, LC, LK, LR, LS, LT, LU, LY, MA, MD, ME, MG, MK, MN, MW, MX, MY, MZ, NA, NG, NI, NO, NZ, OM, PE, PG, PH, PL, PT, RO, RS, RU, SC, SD, SE, SG, SK, SL, SM, ST, SV, SY, TJ, TM, TN, TR, TT, TZ, UA, UG, US, UZ, VC, VN, ZA, ZM, ZW.

(22) International Filing Date:
8 June 2009 (08.06.2009)

(25) Filing Language: Danish

(26) Publication Language: English

(30) Priority Data:
PA 2008 00777 6 June 2008 (06.06.2008) DK

(71) Applicant (for all designated States except US): LINAK A/S [DK/DK]; Smedevægnet 8, Guderup, DK-6430 Nordborg (DK).

(84) Designated States (unless otherwise indicated, for every kind of regional protection available): ARIPO (BW, GH, GM, KE, LS, MW, MZ, NA, SD, SL, SZ, TZ, UG, ZM, ZW), Eurasian (AM, AZ, BY, KG, KZ, MD, RU, TJ, TM), European (AT, BE, BG, CH, CY, CZ, DE, DK, EE, ES, FI, FR, GB, GR, HR, HU, IE, IS, IT, LT, LU, LV, MC, MK, MT, NL, NO, PL, PT, RO, SE, SI, SK, TR),

(72) Inventors; and
(75) Inventors/Applicants (for US only): KLINKE, Norbert [DE/DK]; Sønder Kettingskov 19, DK-6440 Augustenborg (DK). LOLK, Søren [DK/DK]; Skolevej 4, DK-8362 Hørning (DK).

[Continued on next page]

(54) Title: ADJUSTABLE ARTICLE OF FURNITURE

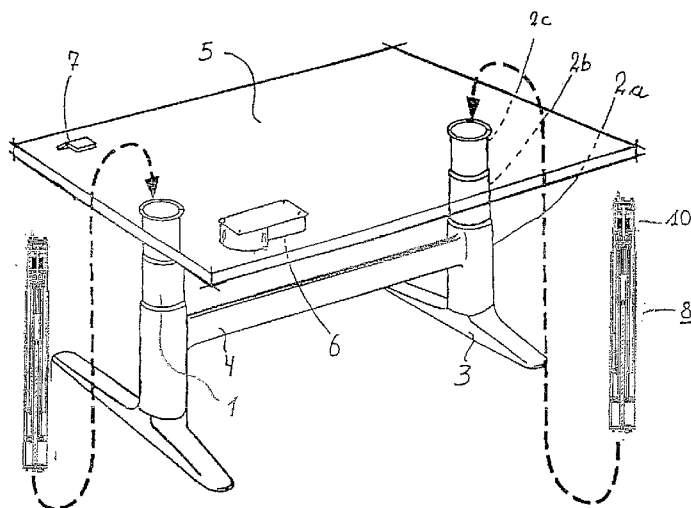


Fig. 1

(57) Abstract: An adjustable table into which a linear actuator (8) is incorporated, where a squeeze protection device (11) is arranged in connection with the table. The device for squeeze protection (11) is arranged in connection with a mounting bracket, which connects the adjustable column (1) to the table top (5). The device for squeeze protection is based on a piezo element (16, 28) incorporated in the mounting bracket (14, 22). The piezo element (16, 28) is equipped with cables (29, 38), so that the signal from the squeeze protection in a simple manner may be communicated to an operating and control device (6), which can stop the motor (10) or momentarily reverse the direction of movement thus releasing a trapped object.



OAPI (BF, BJ, CF, CG, CI, CM, GA, GN, GQ, GW, ML,
MR, NE, SN, TD, TG).

— before the expiration of the time limit for amending the
claims and to be republished in the event of receipt of
amendments (Rule 48.2(h))

Published:

— with international search report (Art. 21(3))

(88) Date of publication of the international search report:

29 April 2010

INTERNATIONAL SEARCH REPORT

International application No
PCT/DK2009/000137

A. CLASSIFICATION OF SUBJECT MATTER
INV. A47B9/04

According to International Patent Classification (IPC) or to both national classification and IPC

B. FIELDS SEARCHED

Minimum documentation searched (classification system followed by classification symbols)
A47B

Documentation searched other than minimum documentation to the extent that such documents are included in the fields searched

Electronic data base consulted during the international search (name of data base and, where practical, search terms used)

EPO-Internal

C. DOCUMENTS CONSIDERED TO BE RELEVANT

Category*	Citation of document, with indication, where appropriate, of the relevant passages	Relevant to claim No.
X	EP 1 891 872 A1 (KESSEBOEHMER PRODUKTIONS GMBH [DE]) 27 February 2008 (2008-02-27) paragraph [0018] - paragraph [0028]; figures 1-8	1-12

Further documents are listed in the continuation of Box C.

See patent family annex.

* Special categories of cited documents :

"A" document defining the general state of the art which is not considered to be of particular relevance

"E" earlier document but published on or after the international filing date

"L" document which may throw doubts on priority claim(s) or which is cited to establish the publication date of another citation or other special reason (as specified)

"O" document referring to an oral disclosure, use, exhibition or other means

"P" document published prior to the international filing date but later than the priority date claimed

"T" later document published after the international filing date or priority date and not in conflict with the application but cited to understand the principle or theory underlying the invention

"X" document of particular relevance; the claimed invention cannot be considered novel or cannot be considered to involve an inventive step when the document is taken alone

"Y" document of particular relevance; the claimed invention cannot be considered to involve an inventive step when the document is combined with one or more other such documents, such combination being obvious to a person skilled in the art.

"&" document member of the same patent family

Date of the actual completion of the international search

8 March 2010

Date of mailing of the international search report

12/03/2010

Name and mailing address of the ISA/

European Patent Office, P.B. 5818 Patentlaan 2
NL - 2280 HV Rijswijk
Tel. (+31-70) 340-2040,
Fax: (+31-70) 340-3016

Authorized officer

Ottesen, Rune

INTERNATIONAL SEARCH REPORT

Information on patent family members

International application No

PCT/DK2009/000137

Patent document cited in search report	Publication date	Patent family member(s)	Publication date
EP 1891872	A1	27-02-2008 US 2008289544 A1	27-11-2008