

(19) World Intellectual Property
Organization
International Bureau



(43) International Publication Date
24 March 2005 (24.03.2005)

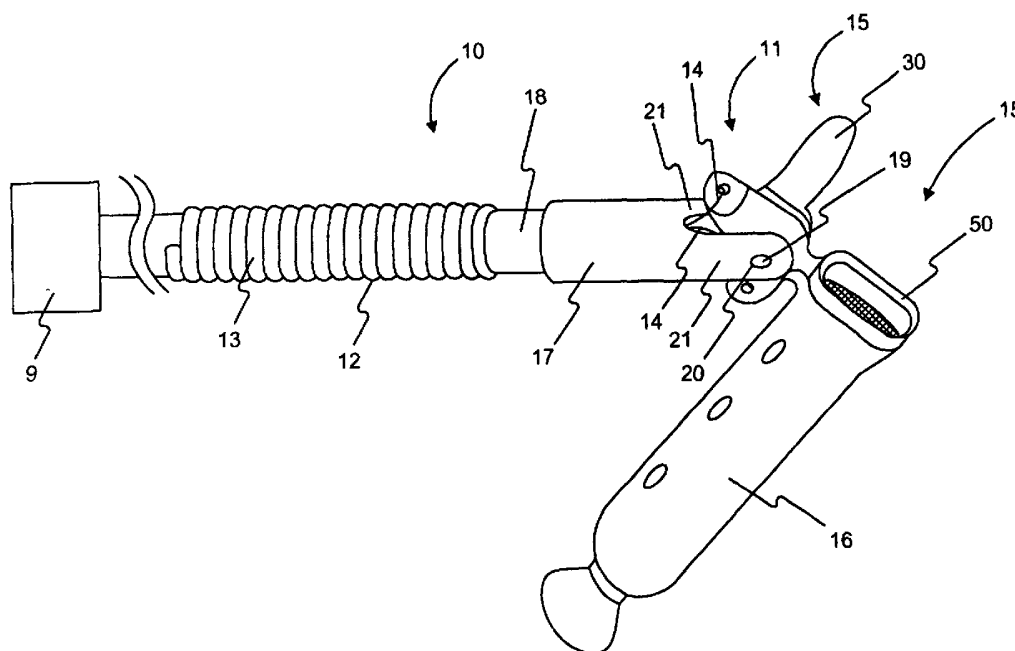
PCT

(10) International Publication Number
WO 2005/025426 A3

- (51) International Patent Classification⁷: A61B 10/00, 17/34
- (21) International Application Number: PCT/US2004/026728
- (22) International Filing Date: 9 September 2004 (09.09.2004)
- (25) Filing Language: English
- (26) Publication Language: English
- (30) Priority Data: 10/658,261 10 September 2003 (10.09.2003) US
- (71) Applicant (for all designated States except US): SCIMED LIFE SYSTEMS, INC. [US/US]; One Scimed Place, Maple Grove, MN 55311-1566 (US).
- (72) Inventors; and
- (75) Inventors/Applicants (for US only): COHEN, Adam L. [US/US]; 46 Varnum Street, Arlington, MA 02474 (US). GOLDEN, John B. [US/US]; 1 Furnace Pond Way, Norton, MA 02766 (US). VU, Liem T. [US/US]; 97 Wayne Road, Needham, MA 02494 (US).
- (74) Agents: GARRETT, Arthur, S. et al.; Finnegan, Henderson, Farabow, Garrett & Dunner, LLP, 901 New York Avenue, NW, Washington, D.C. 20001-4413 (US).
- (81) Designated States (unless otherwise indicated, for every kind of national protection available): AE, AG, AL, AM, AT, AU, AZ, BA, BB, BG, BR, BW, BY, BZ, CA, CH, CN, CO, CR, CU, CZ, DE, DK, DM, DZ, EC, EE, EG, ES, FI, GB, GD, GE, GH, GM, HR, HU, ID, IL, IN, IS, JP, KE, KG, KP, KR, KZ, LC, LK, LR, LS, LT, LU, LV, MA, MD, MG, MK, MN, MW, MX, MZ, NA, NI, NO, NZ, OM, PG, PH, PL, PT, RO, RU, SC, SD, SE, SG, SK, SL, SY, TJ, TM, TN, TR, TT, TZ, UA, UG, US, UZ, VC, VN, YU, ZA, ZM, ZW.
- (84) Designated States (unless otherwise indicated, for every kind of regional protection available): ARIPO (BW, GH, GM, KE, LS, MW, MZ, NA, SD, SL, SZ, TZ, UG, ZM, ZW), Eurasian (AM, AZ, BY, KG, KZ, MD, RU, TJ, TM), European (AT, BE, BG, CH, CY, CZ, DE, DK, EE, ES, FI, FR, GB, GR, HU, IE, IT, LU, MC, NL, PL, PT, RO, SE, SI, SK, TR), OAPI (BF, BJ, CF, CG, CI, CM, GA, GN, GQ, GW, ML, MR, NE, SN, TD, TG).

[Continued on next page]

(54) Title: A FORCEPS AND COLLECTION ASSEMBLY WITH ACCOMPANYING MECHANISMS AND RELATED METHODS OF USE



(57) Abstract: The invention includes a forceps and collection assembly for acquiring and storing a plurality of tissue samples in a single pass, and accompanying mechanisms for use with the forceps and collection assembly. The accompanying mechanisms include an endoscope working channel cap assembly configured to minimize compression of a pouch of the forceps and collection assembly as it traverses a seal of the cap assembly, and a flush adapter configured to be coupled to the pouch so as to assist in removing tissue samples in the pouch by flowing fluid through the pouch.

WO 2005/025426 A3



Published:

— *with international search report*

(88) Date of publication of the international search report:

9 June 2005

For two-letter codes and other abbreviations, refer to the "Guidance Notes on Codes and Abbreviations" appearing at the beginning of each regular issue of the PCT Gazette.

INTERNATIONAL SEARCH REPORT

International Application No
PCT/032004/026728

<p>A. CLASSIFICATION OF SUBJECT MATTER IPC 7 A61B10/00 A61B17/34</p>		
<p>According to International Patent Classification (IPC) or to both national classification and IPC</p>		
<p>B. FIELDS SEARCHED</p>		
<p>Minimum documentation searched (classification system followed by classification symbols) IPC 7 A61B</p>		
<p>Documentation searched other than minimum documentation to the extent that such documents are included in the fields searched</p>		
<p>Electronic data base consulted during the international search (name of data base and, where practical, search terms used) EPO-Internal</p>		
<p>C. DOCUMENTS CONSIDERED TO BE RELEVANT</p>		
Category °	Citation of document, with indication, where appropriate, of the relevant passages	Relevant to claim No.
X	<p>US 6 110 127 A (SUZUKI TAKAYUKI) 29 August 2000 (2000-08-29)</p> <p>abstract; figures 1,7,17 column 15, line 28 - line 51 -----</p>	<p>1-3, 5-27, 46-48, 50-58</p>
X	<p>WO 01/30242 A (PATERNUOSTO MARIO IMMACOLATO) 3 May 2001 (2001-05-03)</p>	<p>14-25</p>
A	<p>page 3, line 18 - page 6, paragraph 2; figures 2,7 -----</p>	<p>1,46</p>
A	<p>US 5 538 008 A (CROWE JOHN) 23 July 1996 (1996-07-23)</p> <p>abstract; figures 21,22 column 13, line 34 - line 45 -----</p>	<p>1-3, 5-13, 46-48, 50-58</p>
	-/--	
<p><input checked="" type="checkbox"/> Further documents are listed in the continuation of box C. <input checked="" type="checkbox"/> Patent family members are listed in annex.</p>		
<p>° Special categories of cited documents :</p>		
<p>"A" document defining the general state of the art which is not considered to be of particular relevance</p> <p>"E" earlier document but published on or after the international filing date</p> <p>"L" document which may throw doubts on priority claim(s) or which is cited to establish the publication date of another citation or other special reason (as specified)</p> <p>"O" document referring to an oral disclosure, use, exhibition or other means</p> <p>"P" document published prior to the international filing date but later than the priority date claimed</p>		<p>"T" later document published after the international filing date or priority date and not in conflict with the application but cited to understand the principle or theory underlying the invention</p> <p>"X" document of particular relevance; the claimed invention cannot be considered novel or cannot be considered to involve an inventive step when the document is taken alone</p> <p>"Y" document of particular relevance; the claimed invention cannot be considered to involve an inventive step when the document is combined with one or more other such documents, such combination being obvious to a person skilled in the art.</p> <p>"&" document member of the same patent family</p>
<p>Date of the actual completion of the international search 8 December 2004</p>		<p>Date of mailing of the international search report 11 MAR 2005</p>
<p>Name and mailing address of the ISA European Patent Office, P.B. 5818 Patentlaan 2 NL - 2280 HV Rijswijk Tel. (+31-70) 340-2040, Tx. 31 651 epo nl, Fax: (+31-70) 340-3016</p>		<p>Authorized officer Moers, R</p>

INTERNATIONAL SEARCH REPORT

International Application No
PCT/S2004/026728

C.(Continuation) DOCUMENTS CONSIDERED TO BE RELEVANT		
Category °	Citation of document, with indication, where appropriate, of the relevant passages	Relevant to claim No.
A	US 5 662 671 A (PASTRONE GIOVANNI ET AL) 2 September 1997 (1997-09-02) column 19, line 13 - line 28; figures 23,23a -----	1,14,46
A	US 6 071 248 A (ZIMMON DAVID S) 6 June 2000 (2000-06-06) abstract; figures 1-5 -----	1,14,46
A	US 3 889 657 A (BAUMGARTEN CARL B) 17 June 1975 (1975-06-17) abstract; figure 2 -----	1,14,46

INTERNATIONAL SEARCH REPORT

International application No.
PCT/US2004/026728

Box II Observations where certain claims were found unsearchable (Continuation of item 2 of first sheet)

This International Search Report has not been established in respect of certain claims under Article 17(2)(a) for the following reasons:

1. Claims Nos.: 62-72
because they relate to subject matter not required to be searched by this Authority, namely:
Rule 39.1(iv) PCT - Method for treatment of the human or animal body by surgery
2. Claims Nos.:
because they relate to parts of the International Application that do not comply with the prescribed requirements to such an extent that no meaningful International Search can be carried out, specifically:
3. Claims Nos.:
because they are dependent claims and are not drafted in accordance with the second and third sentences of Rule 6.4(a).

Box III Observations where unity of invention is lacking (Continuation of item 3 of first sheet)

This International Searching Authority found multiple inventions in this international application, as follows:

see additional sheet

1. As all required additional search fees were timely paid by the applicant, this International Search Report covers all searchable claims.
2. As all searchable claims could be searched without effort justifying an additional fee, this Authority did not invite payment of any additional fee.
3. As only some of the required additional search fees were timely paid by the applicant, this International Search Report covers only those claims for which fees were paid, specifically claims Nos.:
4. No required additional search fees were timely paid by the applicant. Consequently, this International Search Report is restricted to the invention first mentioned in the claims; it is covered by claims Nos.:
1-27, 46-58

Remark on Protest

- The additional search fees were accompanied by the applicant's protest.
- No protest accompanied the payment of additional search fees.

FURTHER INFORMATION CONTINUED FROM PCT/ISA/ 210

This International Searching Authority found multiple (groups of) inventions in this international application, as follows:

1. claims: 1-27, 46-58

Device for storing a plurality of samples comprising a container with an open top and an open bottom having a portion with a restriction and a cutting portion coupled to the open top.

2. claims: 28-33, 59

Endoscope working channel cap.

3. claims: 34-45, 60, 61, 73-77

Flushing device and method

INTERNATIONAL SEARCH REPORT

International Application No

PCT/JP2004/026728

Patent document cited in search report		Publication date	Patent family member(s)	Publication date
US 6110127	A	29-08-2000	JP 11225951 A	24-08-1999
			DE 19905311 A1	26-08-1999

WO 0130242	A	03-05-2001	IT CE990004 A1	24-01-2000
			AU 774983 B2	15-07-2004
			AU 7812100 A	08-05-2001
			CA 2387467 A1	03-05-2001
			DE 60008906 D1	15-04-2004
			DE 60008906 T2	03-02-2005
			EP 1225835 A1	31-07-2002
			WO 0130242 A1	03-05-2001
			JP 2003512121 T	02-04-2003

US 5538008	A	23-07-1996	IE 930032 A2	27-07-1994
			IE 930033 A2	27-07-1994
			AU 5822094 A	15-08-1994
			WO 9415533 A2	21-07-1994

US 5662671	A	02-09-1997	AU 3888097 A	09-02-1998
			CA 2261111 A1	22-01-1998
			EP 0930842 A2	28-07-1999
			US 5997557 A	07-12-1999
			US 2002123761 A1	05-09-2002
			WO 9802084 A2	22-01-1998
			US 6179851 B1	30-01-2001
			US 6309399 B1	30-10-2001
			US 6010522 A	04-01-2000
			US 5895399 A	20-04-1999
			US 5993469 A	30-11-1999

US 6071248	A	06-06-2000	US 5980468 A	09-11-1999
			US 6322522 B1	27-11-2001
			AU 744792 B2	07-03-2002
			AU 9037798 A	12-04-1999
			EP 1028650 A1	23-08-2000
			JP 2001517468 T	09-10-2001
			WO 9915073 A1	01-04-1999

US 3889657	A	17-06-1975	NONE	
