



- (51) **International Patent Classification:**  
G01S 13/89 (2006.01)
- (21) **International Application Number:**  
PCT/US2011/024654
- (22) **International Filing Date:**  
11 February 2011 (11.02.2011)
- (25) **Filing Language:** English
- (26) **Publication Language:** English
- (30) **Priority Data:**  
12/723,098 12 March 2010 (12.03.2010) US
- (71) **Applicant (for all designated States except US):** THE BOEING COMPANY [US/US]; 100 North Riverside Plaza, Chicago, Illinois 60606-2016 (US).
- (72) **Inventors; and**
- (75) **Inventors/Applicants (for US only):** CAPRON, Barbara A. [US/US]; 20129 SE 32nd Street, Sammamish, Washington 98075 (US). PARAZZOLI, Claudio G. [US/US]; 20445 1st Avenue Southwest, Seattle, Washington 98198 (US). TANELIAN, Minas H. [US/US]; 4603 146th Place Southeast, Bellevue, Washington 98006-3148 (US).
- (74) **Agents:** FIELDS, Kevin G et al.; THE BOEING COMPANY, P.O. Box 2515, MC 110-SD54, Seal Beach, California 90740-1515 (US).

(81) **Designated States** (unless otherwise indicated, for every kind of national protection available): AE, AG, AL, AM, AO, AT, AU, AZ, BA, BB, BG, BH, BR, BW, BY, BZ, CA, CH, CL, CN, CO, CR, CU, CZ, DE, DK, DM, DO, DZ, EC, EE, EG, ES, FI, GB, GD, GE, GH, GM, GT, HN, HR, HU, ID, IL, IN, IS, JP, KE, KG, KM, KN, KP, KR, KZ, LA, LC, LK, LR, LS, LT, LU, LY, MA, MD, ME, MG, MK, MN, MW, MX, MY, MZ, NA, NG, NI, NO, NZ, OM, PE, PG, PH, PL, PT, RO, RS, RU, SC, SD, SE, SG, SK, SL, SM, ST, SV, SY, TH, TJ, TM, TN, TR, TT, TZ, UA, UG, US, UZ, VC, VN, ZA, ZM, ZW.

(84) **Designated States** (unless otherwise indicated, for every kind of regional protection available): ARIPO (BW, GH, GM, KE, LR, LS, MW, MZ, NA, SD, SL, SZ, TZ, UG, ZM, ZW), Eurasian (AM, AZ, BY, KG, KZ, MD, RU, TJ, TM), European (AL, AT, BE, BG, CH, CY, CZ, DE, DK, EE, ES, FI, FR, GB, GR, HR, HU, IE, IS, IT, LT, LU, LV, MC, MK, MT, NL, NO, PL, PT, RO, RS, SE, SI, SK, SM, TR), OAPI (BF, BJ, CF, CG, CI, CM, GA, GN, GQ, GW, ML, MR, NE, SN, TD, TG).

**Declarations under Rule 4.17:**

- as to the identity of the inventor (Rule 4.17(i))
- as to applicant's entitlement to apply for and be granted a patent (Rule 4.17(ii))
- as to the applicant's entitlement to claim the priority of the earlier application (Rule 4.17(iii))

[Continued on next page]

(54) **Title:** SUPER-RESOLUTION IMAGING RADAR

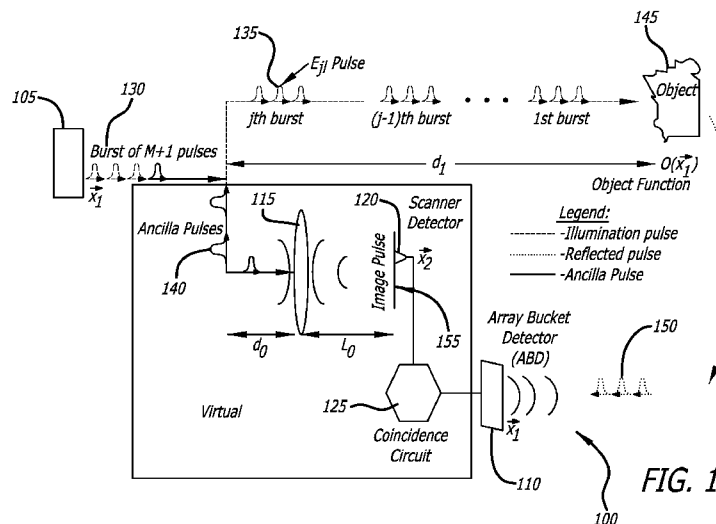


FIG. 1

(57) **Abstract:** A system, apparatus, and method are disclosed for a super-resolution imaging radar (SRIR). The SRIR employs a pulse signal generator that propagates bursts of radio frequency (RF) energy. Each burst contains a number of pulses. One pulse of each burst is an ancilla pulse, and the remaining pulses are propagated towards an object. An array bucket detector (ABD) collects pulses that are reflected from the object. Also, the ancilla pulses are propagated through a virtual lens. A virtual scanning detector detects the virtual ancilla electric field. A processor calculates a virtual ancilla electric field, which would be present at the scanning detector. Further, a coincidence circuit calculates a cross-time correlation function of the electric fields of the reflected pulses that are collected by the ABD and the virtual ancilla electric field. The coincidence circuit uses cross-time correlation function results to generate pixels of an image of the object.

WO 2011/112313 A1

**Published:**

— *with international search report (Art. 21(3))*

## SUPER-RESOLUTION IMAGING RADAR

### BACKGROUND

The present disclosure relates to super-resolution imaging radar (SRIR). In particular, it relates to super-resolution imaging radar that uses high-order imaging in order to achieve enhanced resolution.

### SUMMARY

The present disclosure relates to a system, apparatus, and method for super-resolution imaging radar. In one or more embodiments, the super-resolution imaging radar involves a pulse signal generator that propagates N number of bursts of radio frequency (RF) energy. Each burst contains M+1 number of single pulses. One of the single pulses of each burst is an ancilla pulse, and the remaining M number of pulses of each burst are propagated towards an object of interest. Also, an array bucket detector (ABD) collects pulses that are reflected from the object.

In one or more embodiments, the ancilla pulses are propagated through a virtual lens. In addition, a virtual scanning detector is used to detect the virtual ancilla electric field propagated through the virtual lens. Additionally, a processor uses the ancilla pulses, virtual lens properties, and virtual scanning detector properties to calculate a virtual ancilla electric field, which would be present at the scanning detector plane. Further, a coincidence circuit calculates a cross-time correlation function of the electric fields of the reflected pulses that are collected by the ABD and the virtual ancilla electric field calculated by the processor. The coincidence circuit uses cross-time correlation function results to generate pixels of an image of the object.

In some embodiments, the M number of pulses sequentially illuminate the object. In at least one embodiment, the N number of bursts is inversely proportional to the granularity of the image of the object. In one or more embodiments, the ABD comprises a plurality of RF antenna elements. In at least one embodiment, the condition

$$K_{A\perp}^i = -\frac{1}{M} K_{I\perp}^0$$

must be satisfied.  $K_{I\perp}$  represents the transverse component of the wave vector of the imaging fields emitted in each burst, and  $K_{A\perp}$  represents the transverse component of the wave vector of the virtual ancilla field.

In one or more embodiments, the amplitudes of the reflected pulses that are collected by the ABD are stored in digital form. The cross-time correlation function is computed using data that is stored in digital form. In some embodiments, the cross-time correlation function is related to an image-pixel intensity at a location of the virtual scanning detector. In at least one embodiment, the cross-time correlation function is

5 given by 
$$G^{2(M+1)}(\vec{x}_{2j}) = \sum_{i=1}^{N_e} \left\langle E_{0j}^*(T_{0j}, \vec{x}_{2j}) E_{1j}^*(T_{1j}, i) \dots E_{Mj}^*(T_{Mj}, i) E_{Mj}(T_{Mj}, i) \dots E_{1j}(T_{1j}, i) E_{0j}(T_{0j}, \vec{x}_{2j}) \right\rangle$$
  $\vec{x}_{2j} =$

location of the virtual scanning detector; j = burst index that corresponds to location  $\vec{x}_{2j}$  = 1, 2, ..., N; E = electric field; E\* = complex conjugate of the electric field; and T = time of arrival of each burst.

10 In some embodiments, a method for obtaining super-resolution images involves providing a super-resolution imaging radar (SRIR). In one or more embodiments, the SRIR comprises a pulse signal generator, an array bucket detector (ABD), a virtual lens, a virtual scanning detector, a processor, and a coincidence circuit. The method also involves propagating with the pulse signal generator N number of bursts of radio

15 frequency (RF) energy, where each burst contains M+1 number of single pulses. One of the single pulses of each burst is an ancilla pulse, and the remaining M number of pulses of each burst are propagated towards an object of interest.

The method further involves collecting with the ABD pulses that are reflected from the object. The method also involves propagating the ancilla pulses through the

20 virtual lens and detecting with the virtual scanning detector the virtual ancilla electric field. In addition, the method involves calculating with the processor a virtual ancilla electric field, which would be detected by the virtual scanning detector. Also, the method involves calculating with the coincidence circuit a cross-time correlation function of the electric fields of the reflected pulses that are collected by the ABD and the virtual

25 ancilla electric field calculated by the processor. Lastly, the method involves, generating with the coincidence circuit pixels of an image of the object by using cross-time correlation function results.

In alternative embodiments, a super-resolution imaging radar (SRIR) involves a pulse signal generator that propagates N number of bursts of radio frequency (RF)

30 energy. Each burst contains M+1 number of single pulses. In addition, one of the

single pulses of each burst is an ancilla pulse, and the remaining M pulses of each burst are propagated towards an object of interest. The super-resolution imaging radar further involves an array bucket detector (ABD) that collects pulses that are reflected from the object, and a lens. The ancilla pulses are propagated through the lens.

5 Also, the super-resolution imaging radar involves a scanning detector that detects the ancilla electric field. In addition, the super-resolution imaging radar involves a coincidence circuit that calculates a cross-time correlation function of the electric fields of the reflected pulses that are collected by the ABD and the ancilla electric field detected by the scanning detector. The coincidence circuit uses cross-time correlation  
10 function results to generate pixels of an image of the object.

In other embodiments, a method for obtaining super-resolution images involves providing a super-resolution imaging radar (SRIR). The SRIR comprises a pulse signal generator, an array bucket detector (ABD), a lens, a scanning detector, and a coincidence circuit. Also, the method involves propagating with the pulse signal  
15 generator N number of bursts of radio frequency (RF) energy. Each burst contains M+1 number of single pulses. And, one of the single pulses of each burst is an ancilla pulse, and the remaining M pulses of each burst are propagated towards an object of interest.

Further, the method involves collecting with the ABD pulses that are reflected from the object, and propagating the ancilla pulses through the lens. In addition, the  
20 method involves detecting with the scanning detector the ancilla electric field propagated through the lens to the scanning detector plane. Further, the method involves calculating with the coincidence circuit a cross-time correlation function of the electric fields of the reflected pulses that are collected by the ABD and the ancilla electric field detected by the scanning detector. Also, the method involves generating  
25 with the coincidence circuit pixels of an image of the object by using cross-time correlation function results.

## DRAWINGS

These and other features, aspects, and advantages of the present disclosure will become better understood with regard to the following description, appended claims,  
30 and accompanying drawings where:

FIG. 1 illustrates a schematic diagram of a super-resolution imaging radar (SRIR), in accordance with at least one embodiment of the present disclosure.

FIG. 2 shows test data from a simulation of a super-resolution imaging radar, in accordance with at least one embodiment of the present disclosure.

5

## DESCRIPTION

The methods and apparatus disclosed herein provide an operative system for super-resolution imaging radar (SRIR). Specifically, this system relates to super-resolution imaging radar that uses high order imaging in order to achieve enhanced resolution.

10 The disclosed system modifies a technique known as "ghost imaging" in the optical regime, and adapts it for use with high-resolution imaging radar. This modified technique employs the fourth-order correlation of the electric fields in the microwave or radio frequency (RF) regime to form an image that has a 100x resolution improvement over current state-of-the-art imaging radar. A direct comparison of the disclosed system  
15 with the current state-of-the-art in imaging radar shows that the point spread function (PSF) can be decreased from 5-10 m to ~ 0.045 m.

Imaging radar works very much like a flash camera in that it provides its own light to illuminate an area on the ground and it takes a snapshot picture. But unlike a camera, imaging radar uses radio wavelengths. A flash camera sends out a pulse of  
20 light (i.e., the flash) and records on film the light that is reflected back at it through the camera lens. Instead of using a camera lens and film, imaging radar employs a radar antenna and digital computer tapes and/or memory to record the images. Imaging radar measures the strength and round-trip time of the microwave signals that are emitted by the radar antenna and reflected off a distant surface or object. As such, a  
25 radar image only shows the light that was reflected back towards the radar antenna.

Currently, there are two main types of imaging radar that are used to generate high-resolution radar images. These two main types are synthetic aperture radar (SAR) and inverse synthetic aperture radar (ISAR). The first of these two types, synthetic aperture radar, is a form of radar in which multiple radar images are processed to yield  
30 higher-resolution images than would be possible by using conventional means. Synthetic aperture radar uses (1) one or more antennas mounted on a moving platform,

such as an airplane or spacecraft, to illuminate a target area; (2) uses many low-directivity small stationary antennas that are scattered over an area near the target area; or (3) uses combinations thereof. In the case where many low-directivity small stationary antennas are employed, the many echo waveforms received at the different  
5 antenna positions are post-processed to resolve the target area.

As such, a disadvantage of synthetic aperture radar is that since synthetic aperture radar can only be implemented by using one or more moving antennas over relatively immobile targets, using multiple stationary antennas over a relatively large area, or using combinations thereof, it requires a high cost, complex system. Additional  
10 disadvantages of synthetic aperture radar include the fact that it requires a lot of data storage and the fact that it requires much post-processing in order to generate the resulting image.

The second of the two main types of imaging radar that are used to generate high-resolution radar images is inverse synthetic aperture radar. Inverse synthetic  
15 aperture radar is used to generate a two-dimensional (2D) high-resolution image of a target. Inverse synthetic aperture radar images are produced by rotating the target and processing the resultant Doppler histories of the scattering centers.

During operation of an inverse synthetic aperture radar, if the target rotates in the azimuth direction at a constant rate through a small angle, scatters will approach or  
20 recede from the radar at a rate depending on the cross range position, which is the distance normal to the radar line of sight with the origin being located at the center of the target axis of rotation. The rotation will result in the generation of cross range dependent Doppler frequencies, which can be sorted by a Fourier transform. This operation is equivalent to the generation of a large synthetic aperture phased array  
25 antenna, which is formed by the coherent summation of the receiver outputs for the varying target and/or antenna geometries. As such, if the target is rotated through small angles, the resulting inverse synthetic aperture radar image is the two-dimensional Fourier transform of the received signal as a function of frequency and the target aspect angle.

30 Conversely, if the target is rotated through large angles, the Doppler frequency history of a scatter is non-linear and follows a sine-wave trajectory. The Doppler frequency history cannot be processed directly by a Fourier transform because the

smearred Doppler frequency history will result in a loss of cross range resolution. The maximum angle of rotation that is processed by an unmodified Fourier transform is determined by the constraint that the aperture phase error across the synthesized aperture should vary by less than a specified arbitrary amount, which is usually 45  
5 degrees.

Inverse synthetic aperture radar has a few disadvantages. One disadvantage is that inverse synthetic aperture radar requires motion, which is usually a rotation, between the image and the sensor. Other disadvantages include the fact that inverse synthetic aperture radar requires a lot of data storage and significant post-processing in  
10 order to obtain the resulting image of the target.

It should be noted that both of the aforementioned types of imaging radar, synthetic aperture radar and inverse synthetic aperture radar, are limited to using second order correlations of the electric fields in order to produce the resulting image. Currently, there are no known techniques that use higher order correlations for radar  
15 imaging. The system of the present disclosure employs higher order correlations between electromagnetic fields at radar frequencies to form images. By employing higher order imaging, the resolution is enhanced due to the mathematical superposition of many exponential products.

The disclosed technique is similar to "coincidence imaging" or ghost imaging in  
20 the optical regime. However, a number of modifications are required in order to be able to employ the technique for a radar configuration. In ghost imaging, an object is imaged through the light that illuminates the object and the light that is collected by a single-pixel detector that has no spatial resolution (i.e., a bucket detector). This is accomplished through the use of two spatially correlated beams. One of the beams  
25 illuminates the object, and the photons transmitted by the object are collected by the bucket detector. The other beam impinges on a multipixel detector (e.g., a charge-coupled device (CCD) camera) without ever passing through the object. Nevertheless, by correlating the intensities measured by the bucket detector with the intensities of each pixel in the multipixel detector, an image of the object is reconstructed.

The system of the present disclosure uses a technique that is similar to the  
30 technique used in ghost imaging. The main difference between these two techniques is that the system of the present disclosure images an object through the use of radio



frequency (RF) energy and, conversely, ghost imaging images an object through the use of beams of light. A detailed discussion of the technique employed by the system of the present disclosure follows.

In the following description, numerous details are set forth in order to provide a more thorough description of the system. It will be apparent, however, to one skilled in the art, that the disclosed system may be practiced without these specific details. In the other instances, well known features have not been described in detail so as not to unnecessarily obscure the system.

FIG. 1 shows a schematic diagram of a super-resolution imaging radar (SRIR) 100, in accordance with at least one embodiment of the present disclosure. In this figure, the super-resolution imaging radar comprises a pulse signal generator 105, an array bucket detector (ABD) 110, a virtual lens 115, a virtual scanning detector 120, a processor (not shown), and a coincidence circuit 125.

During operation of the super-resolution imaging radar (SRIR), the pulse signal generator 105 propagates N number of bursts 130 of radio frequency (RF) energy. Each burst 130 of RF energy contains M+1 single pulses 135. One of the single pulses of each burst 130 is an ancilla pulse 140, and the remaining M pulses of each burst 130 are propagated towards an object 145 of interest. As seen in this figure, M pulses sequentially illuminate the object 145. The N number of bursts 130 is inversely proportional to the granularity of the resultant image of the object 145.

An array bucket detector 110 collects the pulses 150 that are reflected from the object 145. In one or more embodiments, the array bucket detector 110 comprises a plurality of RF antenna elements. Various types of RF antenna elements may be employed for the array bucket detector 110 of the present disclosure. In some embodiments, the amplitudes of the reflected pulses 150 that are collected by the array bucket detector 110 are stored in digital form.

Also shown in this figure, the ancilla pulses 140 are propagated through a virtual lens 115. The transverse components of the wave vectors of the imaging fields  $K_{i\perp}$  emitted in each burst 130 must satisfy the condition  $K_{i\perp}^i = -\frac{1}{M} K_{i\perp}^0$  relative to the transverse component of the wave vector of the virtual ancilla electric field  $K_{A\perp}$ .

After a virtual ancilla electric field is propagated through the virtual lens, a virtual scanning detector 120 detects the virtual ancilla electric field along a plane 155. A processor uses the ancilla pulses 140, virtual lens 115 properties, and virtual scanning detector 120 properties to calculate a virtual ancilla electric field, which would be present at the virtual scanning detector 120. A coincidence circuit 125 is used to calculate the cross-time correlation function of the electric fields of the reflected pulses 150 that are collected by the array bucket detector 110 and the virtual ancilla electric field calculated by the processor. In one or more embodiments, the coincidence circuit 125 uses the amplitudes of the reflected pulses 150 that are collected by the array bucket detector 110 and are stored in digital form to compute the cross-time correlation function.

In analogy with the coincidence imaging case, the cross-time correlation function, which is related to the image pixel intensity at  $\bar{x}_{2j}$ , is given by

$$G^{2(M+1)}(\bar{x}_{2j}) = \sum_{i=1}^N \left\langle E_{0j}^*(T_{0j}, \bar{x}_{2j}) E_{1j}^*(T_{1j}, i) \dots E_{Mj}^*(T_{Mj}, i) E_{Mj}(T_{Mj}, i) \dots E_{1j}(T_{1j}, i) E_{0j}(T_{0j}, \bar{x}_{2j}) \right\rangle$$

$\bar{x}_{2j}$  is the location of the virtual scanning detector 120. And,  $\bar{x}_{1j}$  is the location of the object 145. Also,  $j = 1, 2, \dots, N$ ; and  $j$  is burst index that corresponds to location  $\bar{x}_{2j} = 1, 2, \dots, N$ . In addition,  $E$  is the electric field,  $E^*$  is the complex conjugate of the electric field, and  $T$  is the time of arrival of each burst 130. In alternative embodiments, various other types of cross-time correlation functions may be used with the disclosed system. It should be noted that all of the functions that reside in the box labeled "virtual" in this figure may be performed virtually by software.

In alternative embodiments, some or all of the items that reside in the box labeled "virtual" may actually be non-virtual devices. For example, in at least one embodiment, a tangible RF lens may be substituted for the virtual lens 115 depicted in this figure. Additionally, in some embodiments, a tangible scanning detector may be substituted for the virtual scanning detector 120 of this system. In any embodiment where a "virtual" device is present, a processor is used to calculate the appropriate electric field.

After the coincidence circuit 125 computes the cross-time correlation function, the coincidence circuit 125 uses the cross-time correlation function results to generate

pixels of an image of the object 145. Each burst 130 is used to generate one pixel of the resulting image. Subsequent bursts 130 fully paint an image of the object 145. As such, the number of bursts 130 will determine the granularity of the final image.

5 FIG. 2 shows test data from a simulation of a super-resolution imaging radar, in accordance with at least one embodiment of the present disclosure. For this simulation, software developed for quantum ghost imaging was adapted to simulate the super-resolution imaging radar of the present disclosure. For this process, several assumptions were made for the sake of simplicity, but the basic elements were preserved. For this particular simulation, radiation at 1.76 cm (17.0 GHz) was used to  
10 illuminate an object that was formed by two apodized reflectors of 0.5 m radius. The two-apodized reflectors were separated by 1.0 m, and located at 3.0 Km from the source. The object was illuminated by bursts with M pulses, and the resulting images are shown in this figure. As can be seen in this figure, when the object is illuminated by either 50 or 100 pulses, the outline of the target is completely blurred. When the  
15 number of pulses is increased to 200-265, a fully resolved picture of the object is obtained.

Although certain illustrative embodiments and methods have been disclosed herein, it can be apparent from the foregoing disclosure to those skilled in the art that variations and modifications of such embodiments and methods can be made without  
20 departing from the true spirit and scope of the art disclosed. Many other examples of the art disclosed exist, each differing from others in matters of detail only. Accordingly, the art disclosed shall be limited only to the extent required by the appended claims and the rules and principles of applicable law.

**WE CLAIM:**

1. A super-resolution imaging radar (SRIR), the SRIR comprising:  
a pulse signal generator,  
wherein the pulse signal generator propagates N number of bursts of radio  
5 frequency (RF) energy,  
wherein each burst contains M+1 single pulses,  
wherein one of the single pulses of each burst is an ancilla pulse, and the  
remaining M pulses of each burst are propagated towards an object of interest;  
an array bucket detector (ABD), wherein the ABD collects pulses that are  
10 reflected from the object;  
a virtual lens, wherein the ancilla pulses are propagated through the virtual  
lens;  
a virtual scanning detector, wherein the virtual scanning detector detects  
the virtual ancilla electric field;  
15 a processor, wherein the processor uses the ancilla pulses, virtual lens  
properties, and virtual scanning detector properties to calculate a virtual ancilla electric  
field, which would be present at the virtual scanning detector; and  
a coincidence circuit, wherein the coincidence circuit calculates a cross-  
time correlation function of the electric fields of the reflected pulses that are collected by  
20 the ABD and the virtual ancilla electric field,  
and wherein the coincidence circuit uses cross-time correlation function  
results to generate pixels of an image of the object.
2. The SRIR of claim 1, wherein the M number of pulses sequentially  
illuminate the object.
- 25 3. The SRIR of claim 1, wherein the N number of bursts is inversely  
proportional to the granularity of the image of the object.
4. The SRIR of claim 1, wherein the ABD comprises a plurality of RF  
antenna elements.

5. The SRIR of claim 1, wherein the condition  $K_{A\perp}^i = -\frac{1}{M}K_{I\perp}^0$  must be satisfied where,

$K_{I\perp}$  represents the transverse component of the wave vector of the imaging fields emitted in each burst, and

5  $K_{A\perp}$  represents the transverse component of the wave vector of the virtual ancilla field.

6. The SRIR of claim 5, wherein the cross-time correlation function is computed using data that is stored in digital form.

7. The SRIR of claim 1, wherein the cross-time correlation function is related  
10 to an image pixel intensity at a location of the virtual scanning detector.

8. The SRIR of claim 1, wherein the cross-time correlation function is given by:

$$G^{2(M+1)}(\vec{x}_{2j}) = \sum_{i=1}^{N_e} \left\langle E_{0j}^*(T_{0j}, \vec{x}_{2j}) E_{1j}^*(T_{1j}, i) \dots E_{Mj}^*(T_{Mj}, i) E_{Mj}(T_{Mj}, i) \dots E_{1j}(T_{1j}, i) E_{0j}(T_{0j}, \vec{x}_{2j}) \right\rangle, \text{ where}$$

$\vec{x}_{2j}$  = location of the virtual scanning detector;

15  $j$  = burst index that corresponds to location  $\vec{x}_{2j} = 1, 2, \dots, N$ ;

$E$  = electric field;

$E^*$  = complex conjugate of the electric field; and

$T$  = time of arrival of each burst.

9. A method for obtaining super-resolution images, the method comprising:  
20 providing a super-resolution imaging radar (SRIR),  
wherein the SRIR comprises a pulse signal generator, an array bucket detector (ABD), a virtual lens, a virtual scanning detector, a processor, and a coincidence circuit;

propagating with the pulse signal generator  $N$  number of bursts of radio  
25 frequency (RF) energy,

wherein each burst contains  $M+1$  number of single pulses,

wherein one of the single pulses of each burst is an ancilla pulse, and the remaining M number of pulses of each burst are propagated towards an object of interest;

collecting with the ABD pulses that are reflected from the object;

5 propagating the ancilla pulses through the virtual lens;

detecting with the virtual scanning detector the virtual ancilla electric field;

calculating with the processor a virtual ancilla electric field, which would be present at the virtual scanning detector, by using the ancilla pulses, virtual lens properties, and virtual scanning detector properties;

10 calculating with the coincidence circuit a cross-time correlation function of the electric fields of the reflected pulses that are collected by the ABD and the virtual ancilla electric field detected at a virtual scanning detector plane; and

generating with the coincidence circuit pixels of an image of the object by using cross-time correlation function results.

15 10. The method for obtaining super-resolution images of claim 9, wherein the M pulses sequentially illuminate the object.

11. The method for obtaining super-resolution images of claim 9 wherein the N number of bursts is inversely proportional to the granularity of the image of the object.

20 12. The method for obtaining super-resolution images of claim 9, wherein the ABD comprises a plurality of RF antenna elements.

13. The method for obtaining super-resolution images of claim 9, wherein the amplitudes of the reflected pulses that are collected by the ABD are stored in digital form.

25 14. The method for obtaining super-resolution images of claim 15, wherein the cross-time correlation function is computed using data that is stored in digital form.

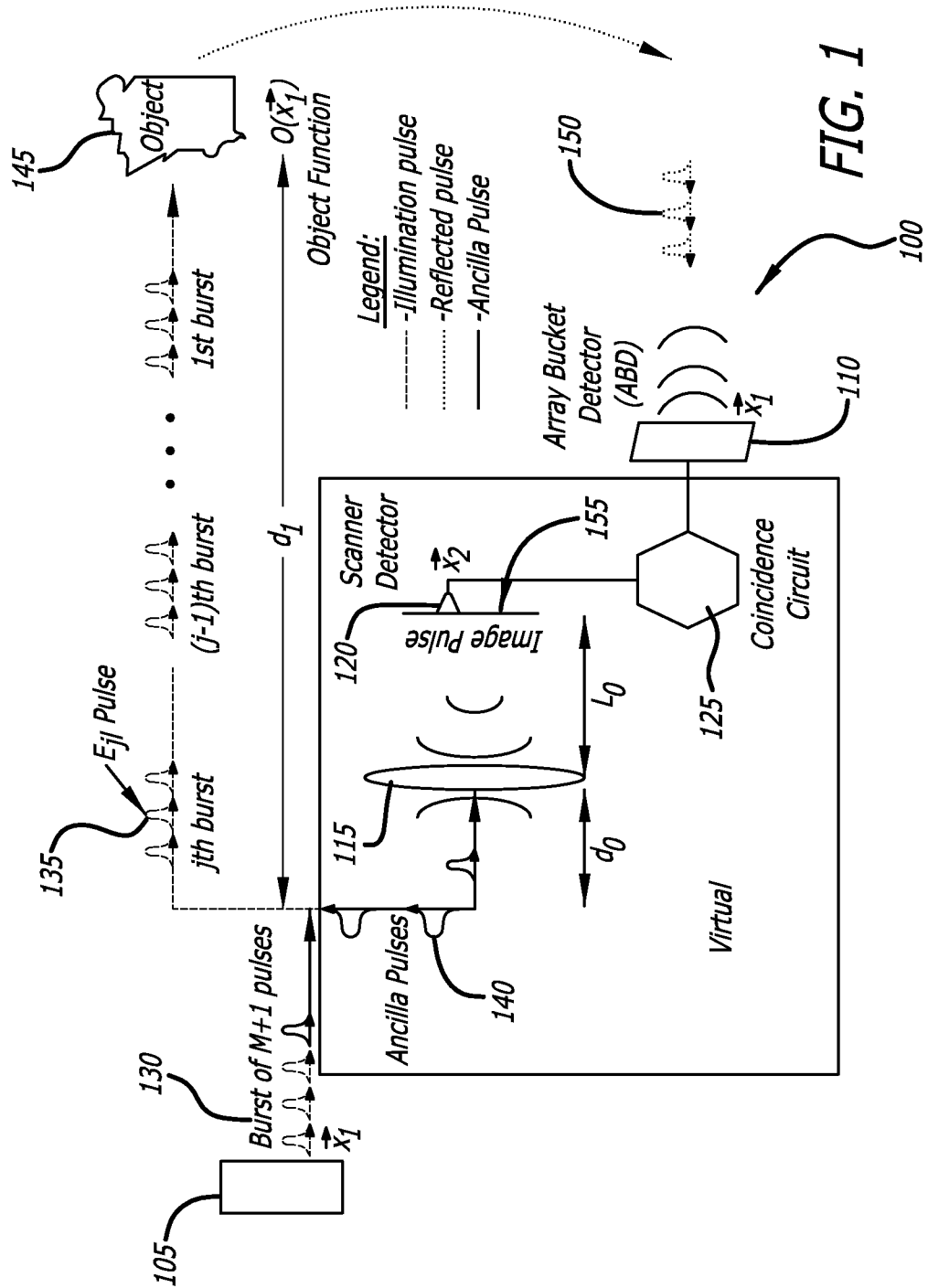
15. The method for obtaining super-resolution images of claim 9, wherein the cross-time correlation function is related to an image pixel intensity at a location of the virtual scanning detector.

16. A super-resolution imaging radar (SRIR), the SRIR comprising:  
a pulse signal generator means,  
wherein the pulse signal generator means propagates N bursts of radio  
frequency (RF) energy,  
5 wherein each burst contains M+1 single pulses,  
wherein one of the single pulses of each burst is an ancilla pulse, and the  
remaining M pulses of each burst are propagated towards an object of interest;  
an array bucket detector (ABD) means, wherein the ABD means collects  
pulses that are reflected from the object;  
10 a virtual lens means, wherein the ancilla pulses are propagated through  
the virtual lens means;  
a virtual scanning detector means, wherein the virtual scanning detector  
means detects the virtual ancilla electric field;  
a processor means, wherein the processor means uses the ancilla pulses,  
15 virtual lens means properties, and virtual scanning detector means properties to  
calculate a virtual ancilla electric field, which would be present at the virtual scanning  
detector means; and  
a coincidence circuit means, wherein the coincidence circuit means  
calculates a cross-time correlation function of the electric fields of the reflected pulses  
20 that are collected by the ABD means and the virtual ancilla electric field,  
and wherein the coincidence circuit means uses cross-time correlation  
function results to generate pixels of an image of the object.

17. A method for obtaining super-resolution images, the method comprising:  
providing a super-resolution imaging radar (SRIR),  
25 wherein the SRIR comprises a pulse signal generator, an array bucket  
detector (ABD), a lens, a scanning detector, a processor, and a coincidence circuit;  
propagating with the pulse signal generator N bursts of radio frequency  
(RF) energy,  
wherein each burst contains M+1 single pulses,  
30 wherein one of the single pulses of each burst is an ancilla pulse, and the  
remaining M number of pulses of each burst are propagated towards an object of  
interest;  
collecting with the ABD pulses that are reflected from the object;

propagating the ancilla pulses through the lens;  
detecting with the scanning detector the ancilla electric field;  
calculating with the coincidence circuit a cross-time correlation function of  
the electric fields of the reflected pulses that are collected by the ABD and the ancilla  
5 electric field detected by the scanning detector; and  
generating with the coincidence circuit pixels of an image of the object by  
using cross-time correlation function results.





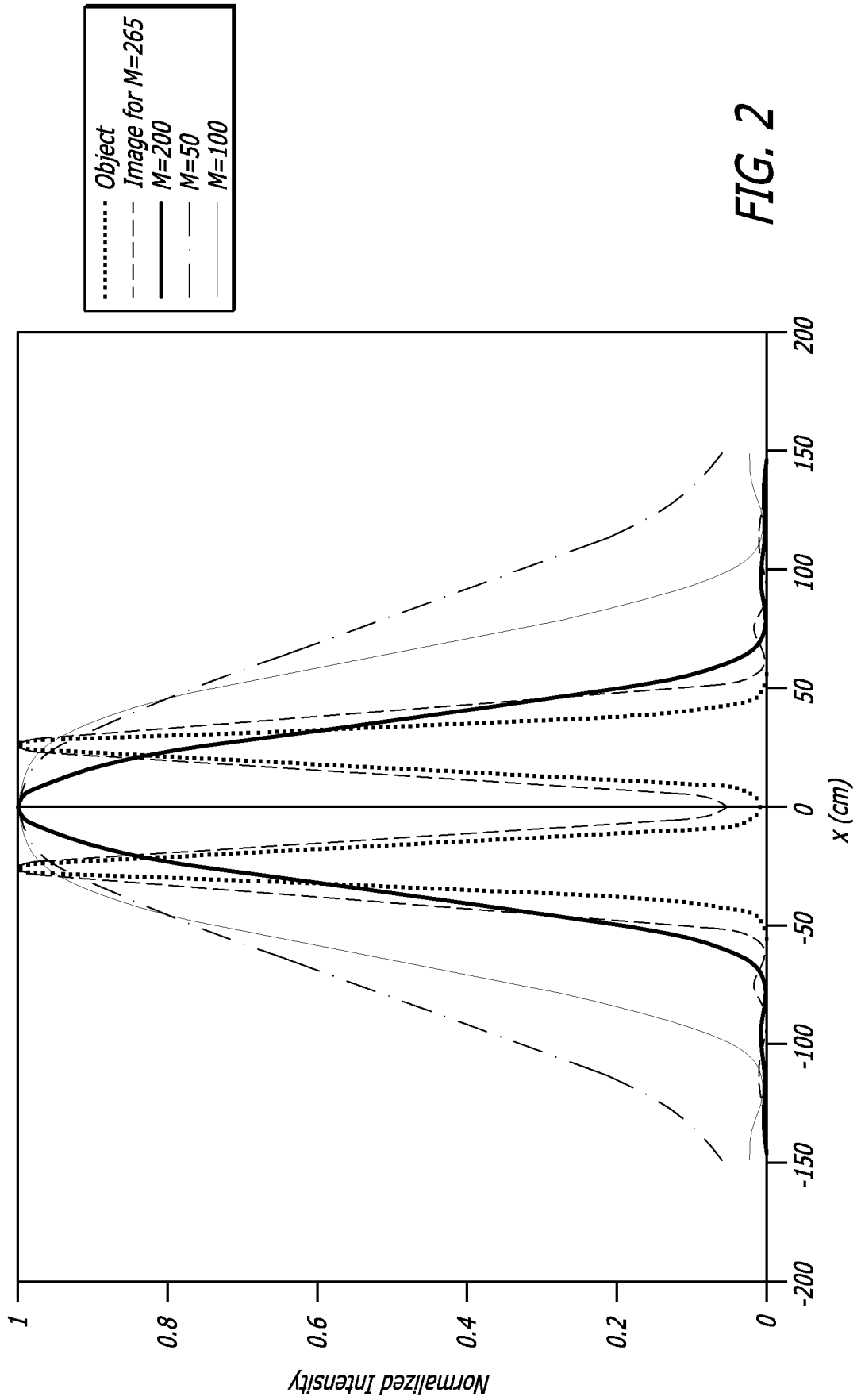


FIG. 2

INTERNATIONAL SEARCH REPORT

International application No  
PCT/US2011/024654

A. CLASSIFICATION OF SUBJECT MATTER  
INV. G01S13/89  
ADD.  
According to International Patent Classification (IPC) or to both national classification and IPC

B. FIELDS SEARCHED  
Minimum documentation searched (classification system followed by classification symbols)  
G01S  
Documentation searched other than minimum documentation to the extent that such documents are included in the fields searched

Electronic data base consulted during the international search (name of data base and, where practical, search terms used)  
EPO-Internal, WPI Data, INSPEC

C. DOCUMENTS CONSIDERED TO BE RELEVANT		
Category*	Citation of document, with indication, where appropriate, of the relevant passages	Relevant to claim No.
A	US 5 227 801 A (PIERCE ROBERT D [US]) 13 July 1993 (1993-07-13) abstract column 1, line 7 - column 8, line 16	1-16
A	EP 1 099 959 A2 (ESSEX CORP [US]) 16 May 2001 (2001-05-16) paragraphs [0017], [ 175]	1-16

Further documents are listed in the continuation of Box C.

See patent family annex.

\* Special categories of cited documents :

- "A" document defining the general state of the art which is not considered to be of particular relevance
- "E" earlier document but published on or after the international filing date
- "L" document which may throw doubts on priority claim(s) or which is cited to establish the publication date of another citation or other special reason (as specified)
- "O" document referring to an oral disclosure, use, exhibition or other means
- "P" document published prior to the international filing date but later than the priority date claimed

- "T" later document published after the international filing date or priority date and not in conflict with the application but cited to understand the principle or theory underlying the invention
- "X" document of particular relevance; the claimed invention cannot be considered novel or cannot be considered to involve an inventive step when the document is taken alone
- "Y" document of particular relevance; the claimed invention cannot be considered to involve an inventive step when the document is combined with one or more other such documents, such combination being obvious to a person skilled in the art.
- "&" document member of the same patent family

Date of the actual completion of the international search  
10 May 2011

Date of mailing of the international search report  
17/05/2011

Name and mailing address of the ISA/  
European Patent Office, P.B. 5818 Patentlaan 2  
NL - 2280 HV Rijswijk  
Tel. (+31-70) 340-2040,  
Fax: (+31-70) 340-3016

Authorized officer  
Van den Bosch, I

# INTERNATIONAL SEARCH REPORT

Information on patent family members

International application No

PCT/US2011/024654

Patent document cited in search report	Publication date	Patent family member(s)	Publication date
US 5227801	A	NONE	
EP 1099959	A2	NONE	