

(19) World Intellectual Property Organization
International Bureau



(43) International Publication Date
24 February 2000 (24.02.2000)

PCT

(10) International Publication Number
WO 00/09896 A3

(51) International Patent Classification⁷: F16C 33/72, 35/00

(21) International Application Number: PCT/ZA99/00064

(22) International Filing Date: 11 August 1999 (11.08.1999)

(25) Filing Language: English

(26) Publication Language: English

(30) Priority Data:
98/4816 11 August 1998 (11.08.1998) ZA

(71) Applicant and

(72) Inventor: SLABBERT, David, Hercules [ZA/ZA]; 486
Mussouri Street, Faerie Glen, Ext 1, Pretoria, 0043 (ZA).

(74) Agent: JOHN & KERNICK; Kernick House, Howick
Close, Waterfall Park, 1685 Midrand (ZA).

(81) Designated States (national): AE, AL, AM, AT, AU, AZ,
BA, BB, BG, BR, BY, CA, CH, CN, CU, CZ, DE, DK, EE,

ES, FI, GB, GD, GE, GH, GM, HR, HU, ID, IL, IN, IS, JP,
KE, KG, KP, KR, KZ, LC, LK, LR, LS, LT, LU, LV, MD,
MG, MK, MN, MW, MX, NO, NZ, PL, PT, RO, RU, SD,
SE, SG, SI, SK, SL, TJ, TM, TR, TT, UA, UG, US, UZ,
VN, YU, ZA, ZW.

(84) Designated States (regional): ARIPO patent (GH, GM,
KE, LS, MW, SD, SL, SZ, UG, ZW), Eurasian patent (AM,
AZ, BY, KG, KZ, MD, RU, TJ, TM), European patent (AT,
BE, CH, CY, DE, DK, ES, FI, FR, GB, GR, IE, IT, LU, MC,
NL, PT, SE), OAPI patent (BF, BJ, CF, CG, CI, CM, GA,
GN, GW, ML, MR, NE, SN, TD, TG).

Published:

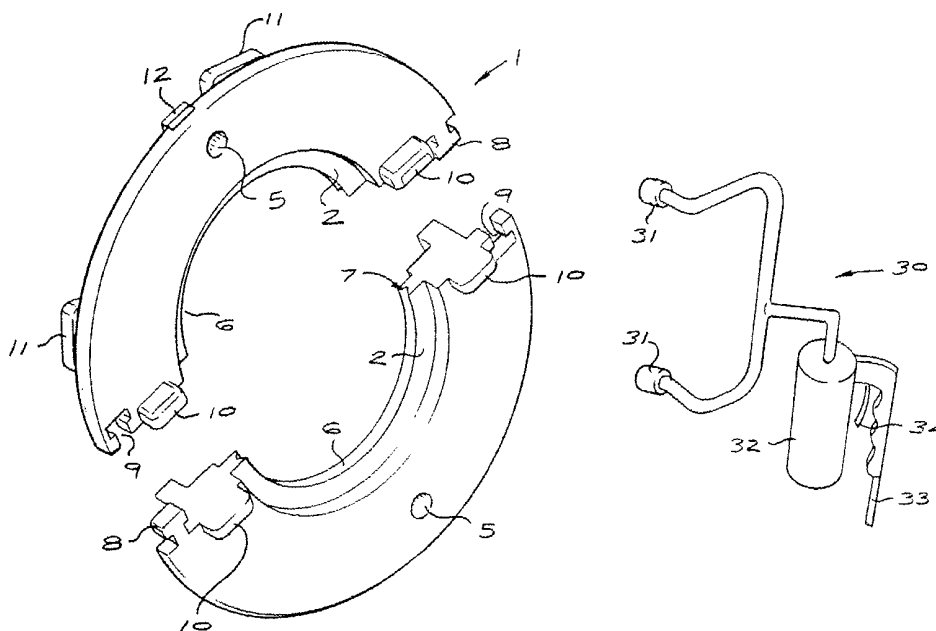
— with international search report

(88) Date of publication of the international search report:

30 May 2002

For two-letter codes and other abbreviations, refer to the "Guidance Notes on Codes and Abbreviations" appearing at the beginning of each regular issue of the PCT Gazette.

(54) Title: BEARING MAINTENANCE ACCESSORY



(57) Abstract: This invention relates to an accessory for maintaining bearings, more particularly but not exclusively, to an accessory for use in the cleaning of bearings. The bearings maintenance accessory is used for the maintenance and cleaning of a bearing located on a shaft within a bearing housing. The accessory consists of an annular manifold split into at least two parts. Each of the two parts has interlocking formations for releasably interlocking the parts together about a shaft. The manifold has an inlet in flow communication with an outlet through a flow passage for forcing a fluid through the manifold. A side of the manifold having the outlet is engageable against a face of a bearing housing.



WO 00/09896 A3

INTERNATIONAL SEARCH REPORT

International Application No

PCT/ZA 99/00064

A. CLASSIFICATION OF SUBJECT MATTER
 IPC 7 F16C33/72 F16C35/00

According to International Patent Classification (IPC) or to both national classification and IPC

B. FIELDS SEARCHED

Minimum documentation searched (classification system followed by classification symbols)
 IPC 7 F16C F16J

Documentation searched other than minimum documentation to the extent that such documents are included in the fields searched

Electronic data base consulted during the international search (name of data base and, where practical, search terms used)

C. DOCUMENTS CONSIDERED TO BE RELEVANT

Category °	Citation of document, with indication, where appropriate, of the relevant passages	Relevant to claim No.
A	US 3 746 415 A (THOMSON J) 17 July 1973 (1973-07-17) column 6-7; figures 4,5,7 ----	1,5
A	FR 2 750 465 A (HARMEL BERNARD) 2 January 1998 (1998-01-02) the whole document ----	1,5
A	US 5 271 676 A (KECK RICHARD K ET AL) 21 December 1993 (1993-12-21) column 6, line 39-54; figures 1,4,5 ----	1,5
A	EP 0 634 594 A (HOSOKAWA ALPINE AG) 18 January 1995 (1995-01-18) ----	
A	US 5 695 288 A (SUGIHARA SADATO ET AL) 9 December 1997 (1997-12-09) ----- -/--	

Further documents are listed in the continuation of box C.

Patent family members are listed in annex.

° Special categories of cited documents :

- "A" document defining the general state of the art which is not considered to be of particular relevance
- "E" earlier document but published on or after the international filing date
- "L" document which may throw doubts on priority claim(s) or which is cited to establish the publication date of another citation or other special reason (as specified)
- "O" document referring to an oral disclosure, use, exhibition or other means
- "P" document published prior to the international filing date but later than the priority date claimed

- "T" later document published after the international filing date or priority date and not in conflict with the application but cited to understand the principle or theory underlying the invention
- "X" document of particular relevance; the claimed invention cannot be considered novel or cannot be considered to involve an inventive step when the document is taken alone
- "Y" document of particular relevance; the claimed invention cannot be considered to involve an inventive step when the document is combined with one or more other such documents, such combination being obvious to a person skilled in the art.
- "&" document member of the same patent family

Date of the actual completion of the international search

15 October 1999

Date of mailing of the international search report

25/10/1999

Name and mailing address of the ISA

European Patent Office, P.B. 5818 Patentlaan 2
 NL - 2280 HV Rijswijk
 Tel. (+31-70) 340-2040, Tx. 31 651 epo nl,
 Fax: (+31-70) 340-3016

Authorized officer

BEGUIN, C

INTERNATIONAL SEARCH REPORT

International Application No

PCT/ZA 99/00064

C.(Continuation) DOCUMENTS CONSIDERED TO BE RELEVANT

Category °	Citation of document, with indication, where appropriate, of the relevant passages	Relevant to claim No.
A	EP 0 458 352 A (CRANE JOHN INC) 27 November 1991 (1991-11-27) -----	

INTERNATIONAL SEARCH REPORT

Information on patent family members

International Application No

PCT/ZA 99/00064

Patent document cited in search report	Publication date	Patent family member(s)	Publication date
US 3746415 A	17-07-1973	BE 784459 A CA 950519 A CH 555486 A DE 2233166 A FR 2149176 A GB 1389857 A IT 958361 B NL 7207787 A,B, SE 380592 B	02-10-1972 02-07-1974 31-10-1974 20-06-1973 23-03-1973 09-04-1975 20-10-1973 07-02-1973 10-11-1975
FR 2750465 A	02-01-1998	NONE	
US 5271676 A	21-12-1993	NONE	
EP 0634594 A	18-01-1995	DE 4323161 A AT 173802 T DE 59407325 D DK 634594 T ES 2128467 T	12-01-1995 15-12-1998 07-01-1999 12-07-1999 16-05-1999
US 5695288 A	09-12-1997	JP 9112554 A	02-05-1997
EP 0458352 A	27-11-1991	US 5114163 A AT 125919 T AU 637232 B AU 7725491 A BR 9102132 A CA 2043236 A CN 1057513 A,B DE 69111691 D DE 69111691 T ES 2077113 T IE 911791 A JP 2936292 B JP 4231775 A MX 173546 B US 5490682 A US 5199720 A ZA 9103899 A	19-05-1992 15-08-1995 20-05-1993 28-11-1991 24-12-1991 26-11-1991 01-01-1992 07-09-1995 21-03-1996 16-11-1995 04-12-1991 23-08-1999 20-08-1992 14-03-1994 13-02-1996 06-04-1993 26-02-1992