



US00D401960S

**United States Patent** [19]  
**Pearl**

[11] **Patent Number:** **Des. 401,960**  
[45] **Date of Patent:** **\*\*Dec. 1, 1998**

- [54] **FLIP-LENS DEVICE WITH LOW PRESCRIPTION MAGNIFIER**
- [76] Inventor: **Greg Pearl**, 226 Second St., #8, Hermosa Beach, Calif. 90254
- [\*\*] Term: **14 Years**
- [21] Appl. No.: **79,427**
- [22] Filed: **Nov. 17, 1997**
- [51] **LOC (6) Cl.** ..... **16-06**
- [52] **U.S. Cl.** ..... **D16/330; D16/900; D16/304**
- [58] **Field of Search** ..... **D16/300, 101, D16/304, 309, 315-321, 325-330, 900; 351/41, 44, 51, 52, 47-48, 57-59, 158; 2/247, 248**

- D. 193,872 10/1962 Petitto ..... D16/316
- D. 228,806 10/1973 Harrell ..... D16/326
- 3,238,005 3/1966 Petitto .
- 5,416,537 5/1995 Sadler .

*Primary Examiner*—Raphael Barkai

[57] **CLAIM**

The ornamental design for a flip-lens device with low prescription magnifier, as shown and described.

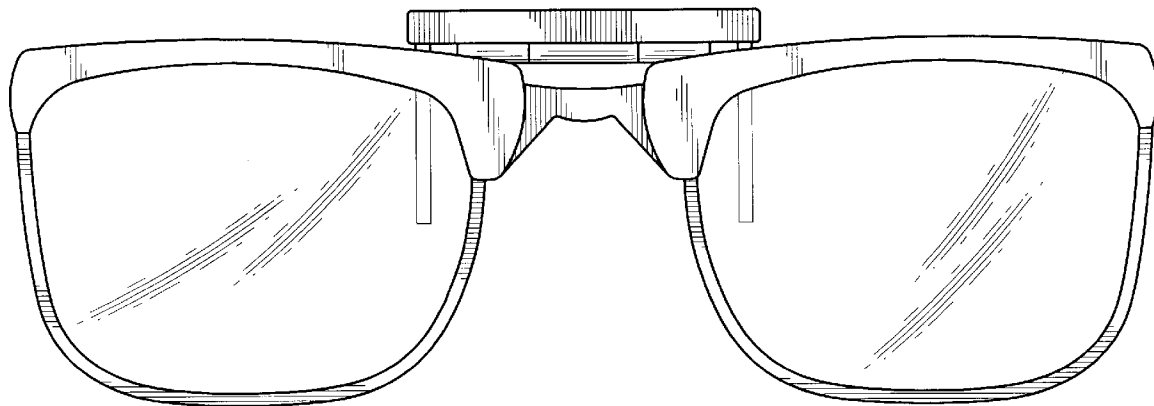
**DESCRIPTION**

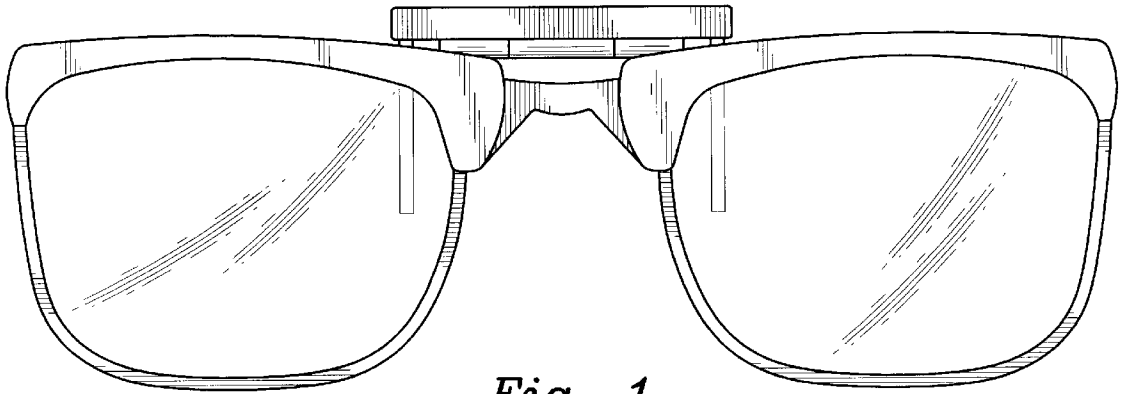
FIG. 1 is a front elevational view of the flip-lens device with low prescription magnifier showing my new design;  
 FIG. 2 is a rear elevational view thereof;  
 FIG. 3 is a right side view thereof;  
 FIG. 4 is a left side view thereof;  
 FIG. 5 is a top plan view thereof; and,  
 FIG. 6 is a bottom plan view thereof.

[56] **References Cited**  
**U.S. PATENT DOCUMENTS**

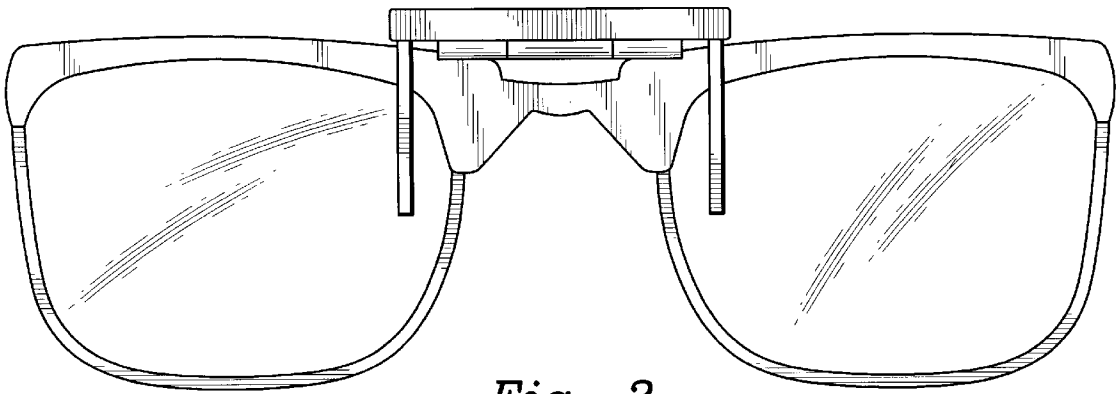
D. 183,845 11/1958 Liataud .

**1 Claim, 3 Drawing Sheets**

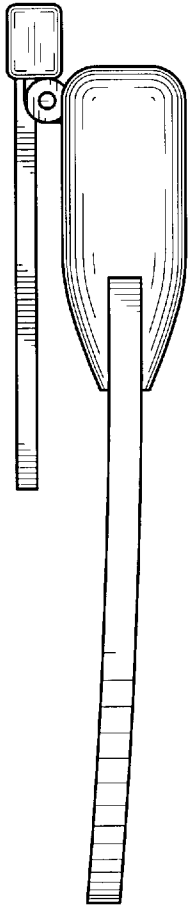




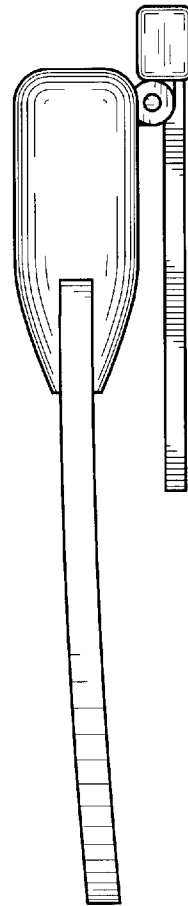
*Fig. 1*



*Fig. 2*



*Fig. 3*



*Fig. 4*



*Fig. 5*



*Fig. 6*