



US00D577005S

(12) **United States Design Patent**
Amai

(10) **Patent No.:** **US D577,005 S**

(45) **Date of Patent:** **** Sep. 16, 2008**

(54) **LOUDSPEAKER**

FOREIGN PATENT DOCUMENTS

- (75) Inventor: **Masatoshi Amai**, Meguro-ku (JP)
- (73) Assignee: **Pioneer Kabushiki Kaisha**, Tokyo (JP)
- (**) Term: **14 Years**
- (21) Appl. No.: **29/290,334**
- (22) Filed: **Nov. 21, 2007**

JP	S-1201071	4/2004
JP	S-1201615	4/2004
JP	S-1223334	11/2004
JP	S-1241701	6/2005
JP	S-1241800	6/2005
JP	S-1269145	4/2006
JP	S-1269160	4/2006

* cited by examiner

Primary Examiner—Nanda Bondade
(74) *Attorney, Agent, or Firm*—Olliff & Berridge, PLC

(30) **Foreign Application Priority Data**

May 30, 2007 (JP) 2007-014305

(57) **CLAIM**

- (51) **LOC (8) Cl.** **14-01**
 - (52) **U.S. Cl.** **D14/216**
 - (58) **Field of Classification Search** D14/204,
D14/209–216, 219–220, 222; 181/143–144,
181/147–148, 150, 157, 198–199, 151, 153;
381/300–302, 306, 333, 345, 361–364, 386–388,
381/332, 336
- See application file for complete search history.

The ornamental design for a loudspeaker, as shown and described.

DESCRIPTION

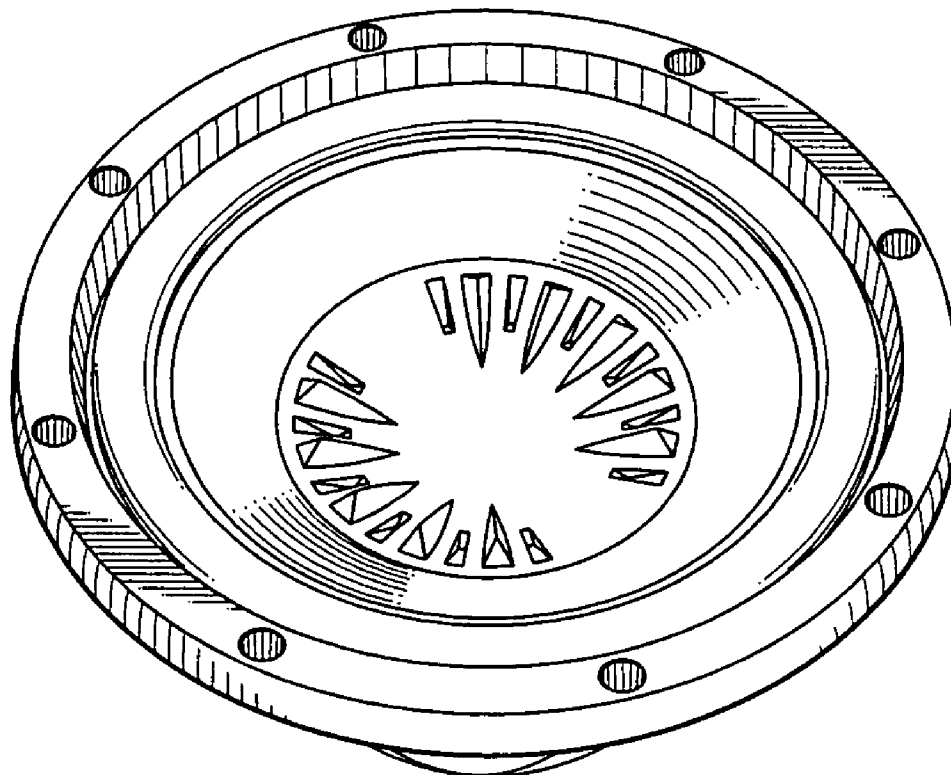
- FIG. 1 is a perspective view of a loudspeaker;
- FIG. 2 is a front view thereof;
- FIG. 3 is a rear view thereof;
- FIG. 4 is a left-side view thereof;
- FIG. 5 is a right-side view thereof;
- FIG. 6 is a top view thereof; and,
- FIG. 7 is a bottom view thereof.

(56) **References Cited**

U.S. PATENT DOCUMENTS

D244,781 S *	6/1977	Saidel	D14/219
D250,586 S *	12/1978	Nussdorfer et al.	D14/216
D432,118 S *	10/2000	Honnert	D14/216
D510,084 S *	9/2005	Hasbrook	D14/221

1 Claim, 3 Drawing Sheets



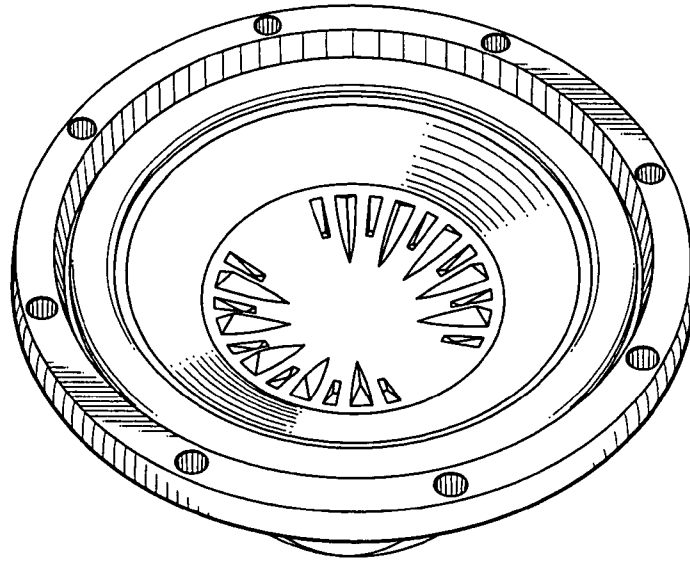


FIG. 1

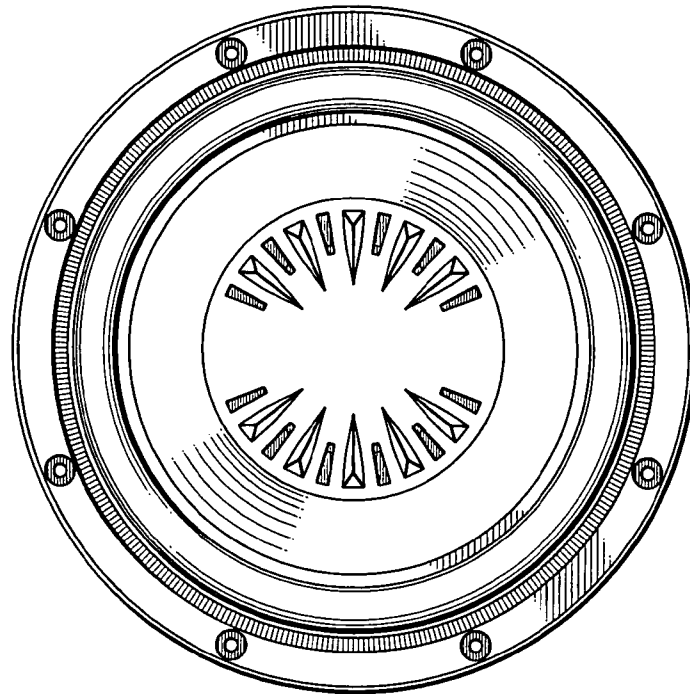


FIG. 2

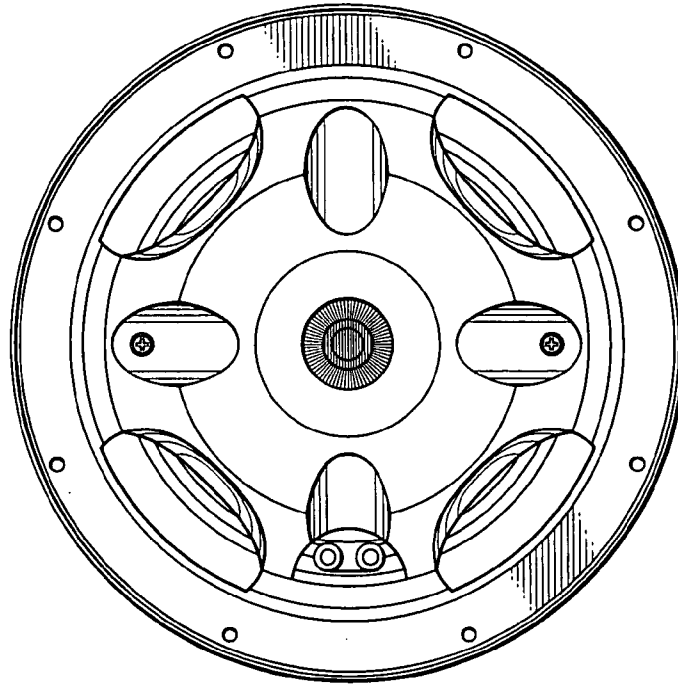


FIG. 3

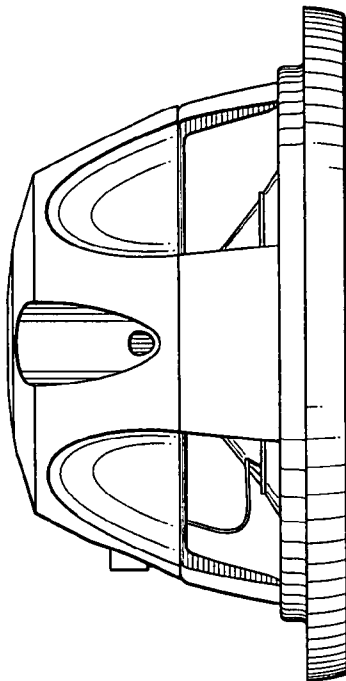


FIG. 4

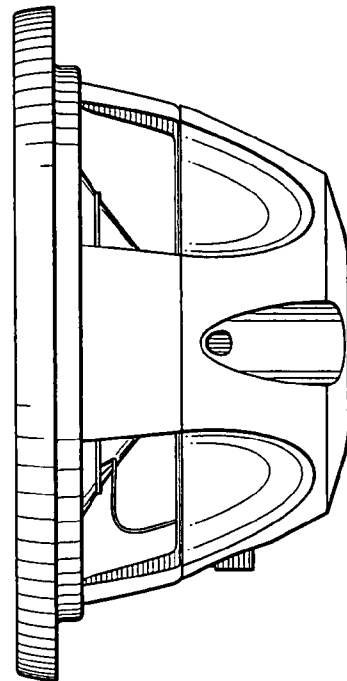


FIG. 5

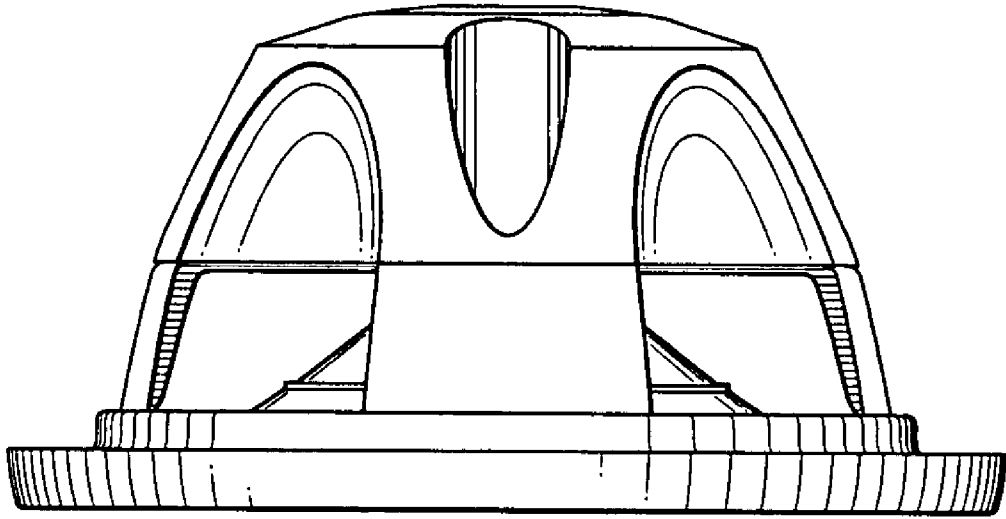


FIG. 6

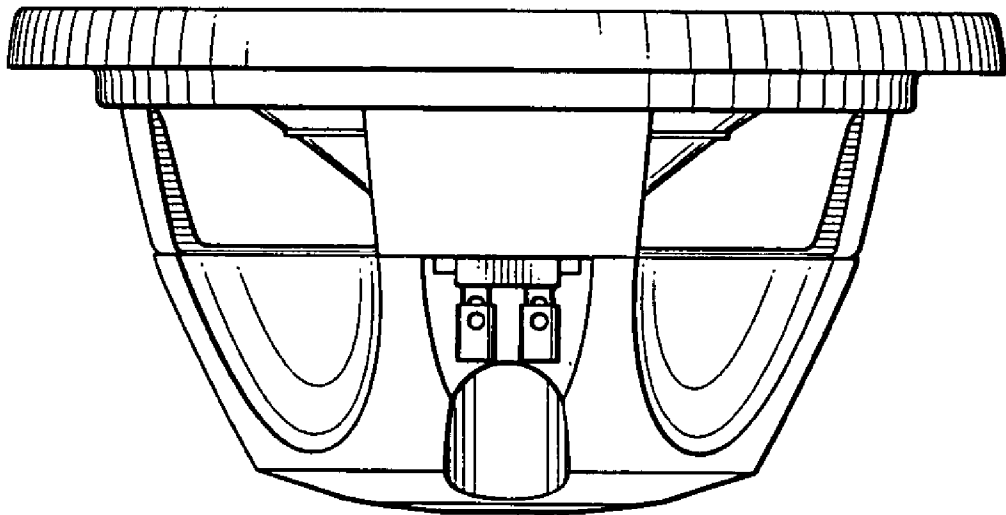


FIG. 7