



US00D722248S

(12) **United States Design Patent**  
**Rudisill et al.**

(10) **Patent No.:** **US D722,248 S**

(45) **Date of Patent:** **\*\* Feb. 10, 2015**

(54) **LID**

(76) Inventors: **Cathy L. Rudisill**, Greer, SC (US); **L. Edwin Rudisill**, Greer, SC (US)

(\*\*) Term: **14 Years**

(21) Appl. No.: **29/431,642**

(22) Filed: **Sep. 10, 2012**

(51) **LOC (10) Cl.** ..... **07-01**

(52) **U.S. Cl.**

USPC ..... **D7/396.2; D7/392.1**

(58) **Field of Classification Search**

CPC ..... B65D 2543/00092; B65D 77/283  
USPC ..... D7/300, 300.2, 391, 392, 392.1, 396.1,  
D7/397, 398, 500, 507, 509, 510, 511, 514,  
D7/516; D9/434, 435, 436, 440-443, 447,  
D9/450-452, 454, 520, 668, 682; D34/4;  
215/200, 217, 222, 223, 229, 235, 236,  
215/252, 254, 329, 238, 243, 305, 316-323,  
215/355-364; 222/553, 566, 568, 570

See application file for complete search history.

(56) **References Cited**

**U.S. PATENT DOCUMENTS**

2,546,122 A \* 3/1951 Goldfarb ..... 446/72  
D262,083 S \* 12/1981 Adamo ..... D7/392.1  
D288,064 S \* 2/1987 Gager ..... D9/436  
D424,376 S \* 5/2000 Malusek ..... D7/511  
D448,971 S \* 10/2001 Hughes ..... D7/392.1  
D471,060 S \* 3/2003 Salsman ..... D7/392.1

D475,295 S \* 6/2003 Love ..... D9/451  
D650,275 S \* 12/2011 Dunwoody ..... D9/435  
D670,960 S \* 11/2012 Rudisill, Jr. .... D7/392.1  
D670,961 S \* 11/2012 Rudisill, Jr. .... D7/392.1  
D670,962 S \* 11/2012 Rudisill, Jr. .... D7/392.1  
D670,964 S \* 11/2012 Rudisill ..... D7/392.1  
D677,980 S \* 3/2013 Levin ..... D7/392

\* cited by examiner

*Primary Examiner* — Robert M Spear

*Assistant Examiner* — Marissa J Cash

(74) *Attorney, Agent, or Firm* — Sara C. Kanos; Nexsen Pruet, LLC

(57) **CLAIM**

We claim the ornamental design for a lid, as described.

**DESCRIPTION**

FIG. 1 is a front right perspective of a lid showing our new design;  
FIG. 2 is a rear left perspective thereof;  
FIG. 3 is a front elevation view thereof;  
FIG. 4 is a rear elevation view thereof;  
FIG. 5 is a right side elevation view thereof;  
FIG. 6 is a left side elevation view thereof;  
FIG. 7 is a top view thereof; and,  
FIG. 8 is a bottom view thereof.

The broken lines in the drawings represent unclaimed environmental subject matter and form no part of the claim. The Seminole logo forming part of the claimed design is a registered trademark of the Florida State University.

**1 Claim, 7 Drawing Sheets**





Fig. 1

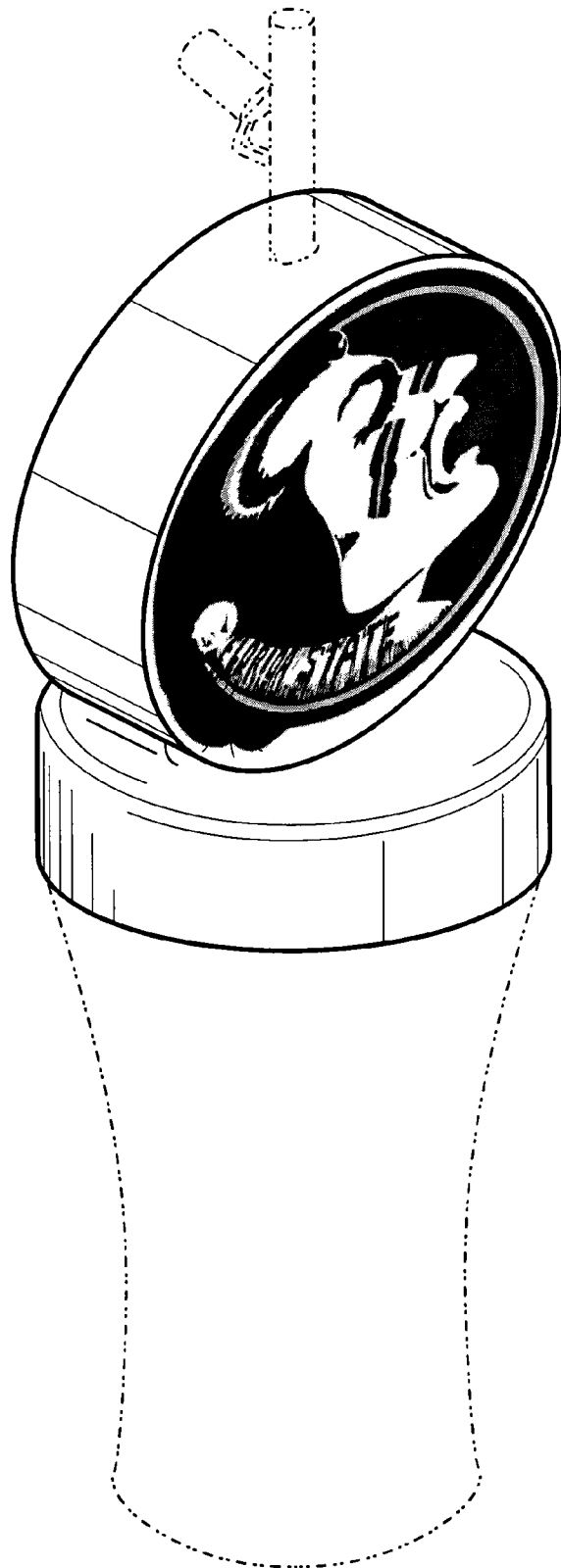


Fig. 2

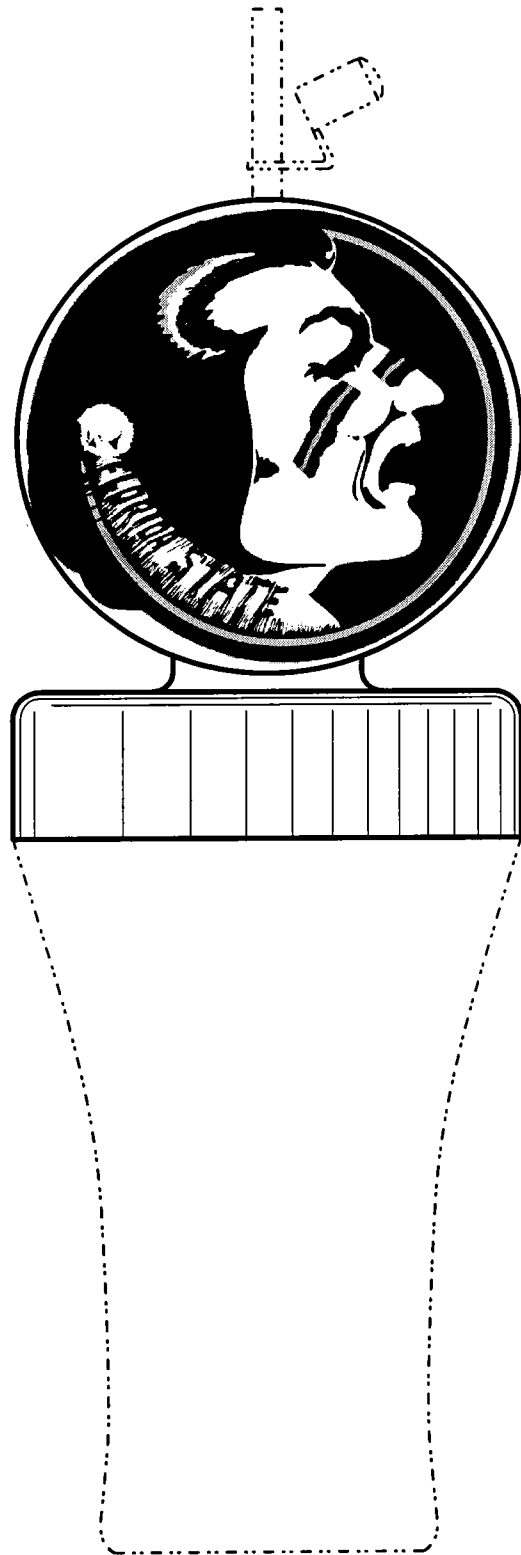


Fig. 3

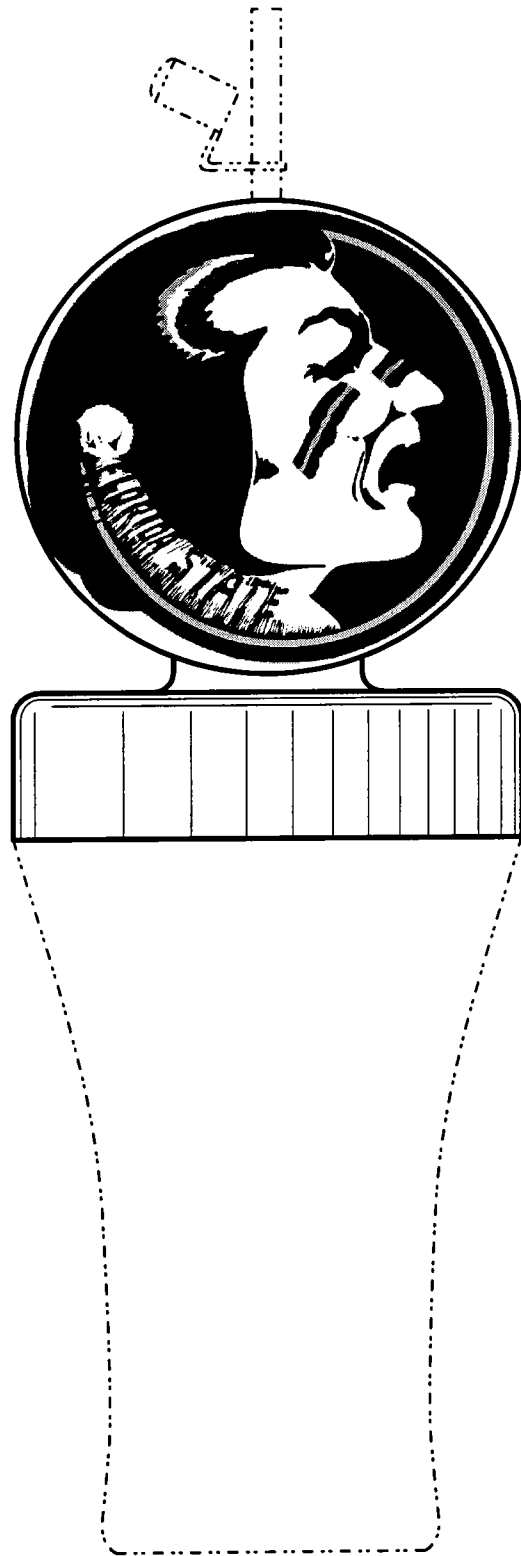


Fig. 4

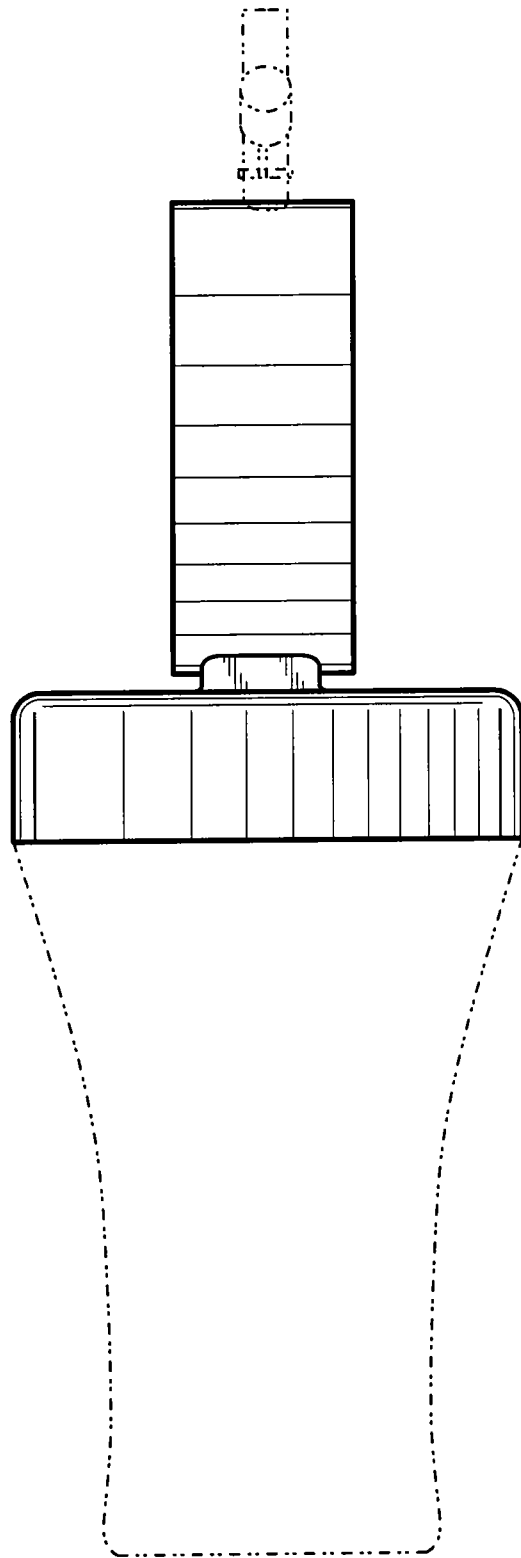


Fig. 5

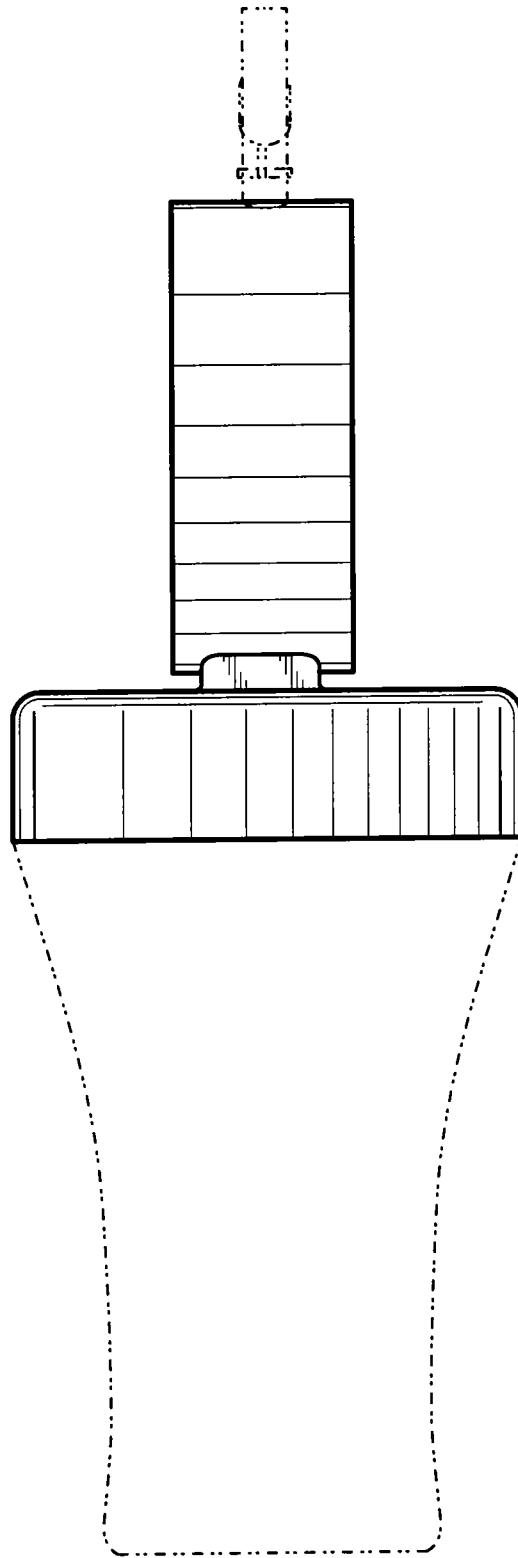


Fig. 6

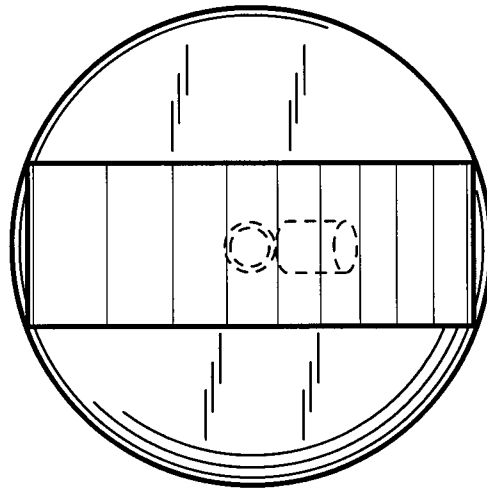


FIG. 7

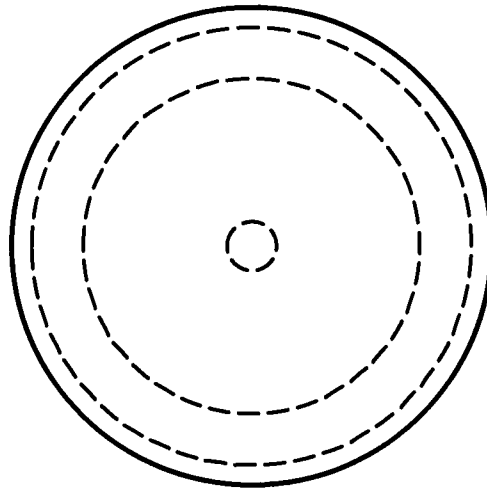


FIG. 8