



US00D960341S

(12) **United States Design Patent**
Fitzsimmons et al.

(10) **Patent No.:** **US D960,341 S**

(45) **Date of Patent:** **** Aug. 9, 2022**

(54) **BENCH-TOP DUST COLLECTOR**

(71) Applicants: **John J. Fitzsimmons**, Syracuse, NY (US); **Jeffrey Hill**, Cicero, NY (US); **Robert M Witter**, Englewood, FL (US); **Kyle W. Groening**, Syracuse, NY (US); **Joseph Baldwin**, Syracuse, NY (US)

(72) Inventors: **John J. Fitzsimmons**, Syracuse, NY (US); **Jeffrey Hill**, Cicero, NY (US); **Robert M Witter**, Englewood, FL (US); **Kyle W. Groening**, Syracuse, NY (US); **Joseph Baldwin**, Syracuse, NY (US)

(73) Assignee: **Oneida Air Systems, Inc.**, Syracuse, NY (US)

(**) Term: **15 Years**

(21) Appl. No.: **29/773,914**

(22) Filed: **Mar. 12, 2021**

(51) **LOC (13) Cl.** **23-04**

(52) **U.S. Cl.**

USPC **D23/364**

(58) **Field of Classification Search**

USPC D23/355-366, 352, 369, 332, 333, 335, D23/336, 342, 351; D32/21, 31
CPC .. A61L 9/16; A61L 9/22; B01D 47/00; B01D 47/027; B01D 2221/02; B01D 2259/4508; B03C 3/155; B03C 3/368; F24F 3/16; F24F 13/20; F24F 13/28

See application file for complete search history.

(56) **References Cited**

U.S. PATENT DOCUMENTS

4,820,320 A * 4/1989 Cox B01D 46/0005
55/508
4,883,509 A * 11/1989 Giusti B01D 46/0045
55/525

D360,460 S * 7/1995 Perrault, Jr. D23/364
D629,576 S * 12/2010 Cheng D32/21
D630,392 S * 1/2011 Lin D32/21
D632,443 S * 2/2011 Witter D32/21
D634,082 S * 3/2011 Lin D32/21
D651,776 S * 1/2012 Cheng D32/21
D663,184 S * 7/2012 Wait D8/70
D685,402 S * 7/2013 Cappuccio D15/138
D717,844 S * 11/2014 Cappuccio D15/138
D741,557 S * 10/2015 Young D32/18
D795,317 S * 8/2017 Wenning D15/138
D800,804 S * 10/2017 Cappuccio D15/133
D805,266 S * 12/2017 Cheng D32/21
D815,375 S * 4/2018 Cheng D32/21

(Continued)

Primary Examiner — David G Muller

(74) *Attorney, Agent, or Firm* — Bernhard P. Mollidrem, Jr.

(57) **CLAIM**

The ornamental design for a benchtop dust collector, as shown and described.

DESCRIPTION

FIG. 1 is a perspective view from the right and front or intake side of a bench top dust collector, showing our new design.

FIG. 2 is a left front perspective view thereof.

FIG. 3 is a right-rear or discharge side perspective thereof.

FIG. 4 is a left-rear perspective view thereof.

FIG. 5 is to plan view thereof.

FIG. 6 is a rear or discharge side elevational view thereof.

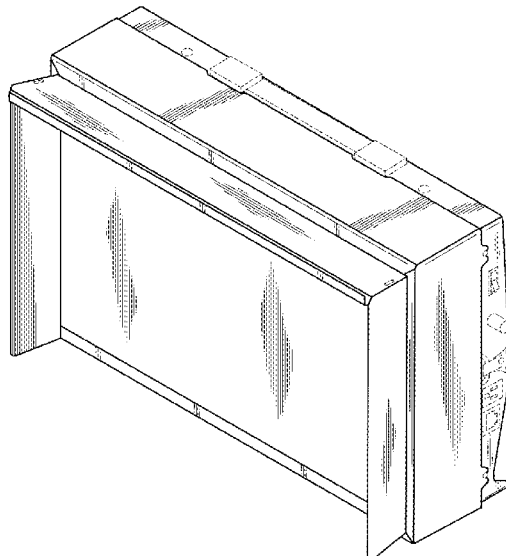
FIG. 7 is a front elevation view thereof;

FIG. 8 is a left side elevation view thereof; and,

FIG. 9 is a right side elevation view thereof.

The bottom of the benchtop dust collector is plain and unadorned. Elements that are shown in broken lines do not form a part of our claimed design.

1 Claim, 4 Drawing Sheets



(56)

References Cited

U.S. PATENT DOCUMENTS

D944,474 S *	2/2022	Kuhls	D32/15
2011/0113587 A1 *	5/2011	Nagasaka	A47L 5/36
			15/339
2011/0197767 A1 *	8/2011	Seitz	B01D 46/71
			95/286
2014/0238240 A1 *	8/2014	Raether	B01D 46/58
			55/495
2018/0093282 A1 *	4/2018	Katsushima	B04C 5/185
2019/0380549 A1 *	12/2019	Liu	A47L 9/327

* cited by examiner

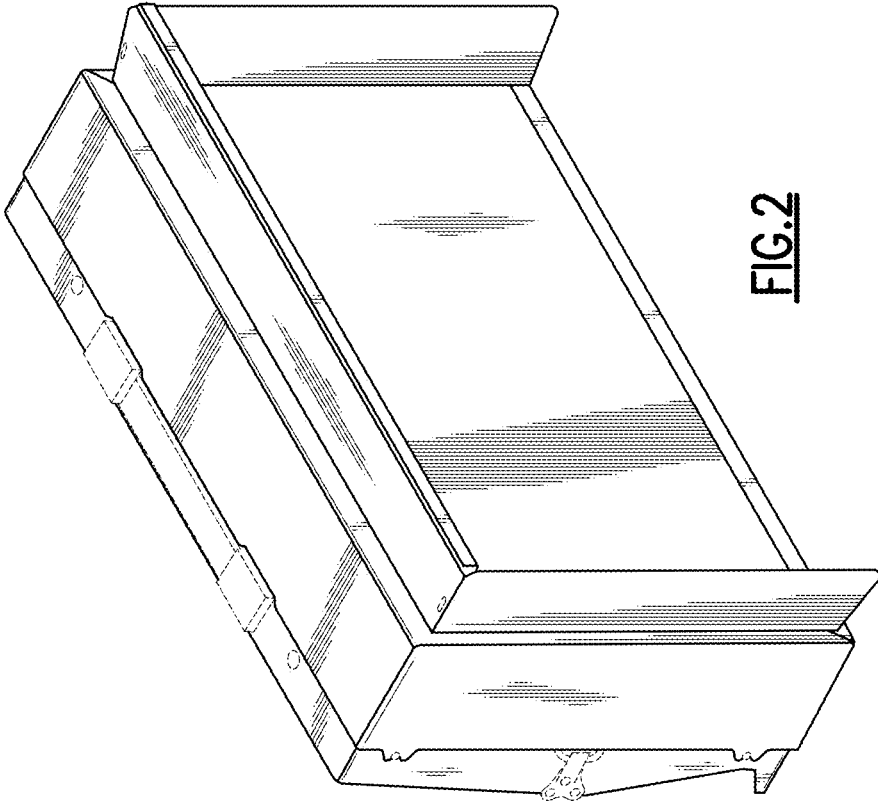


FIG. 2

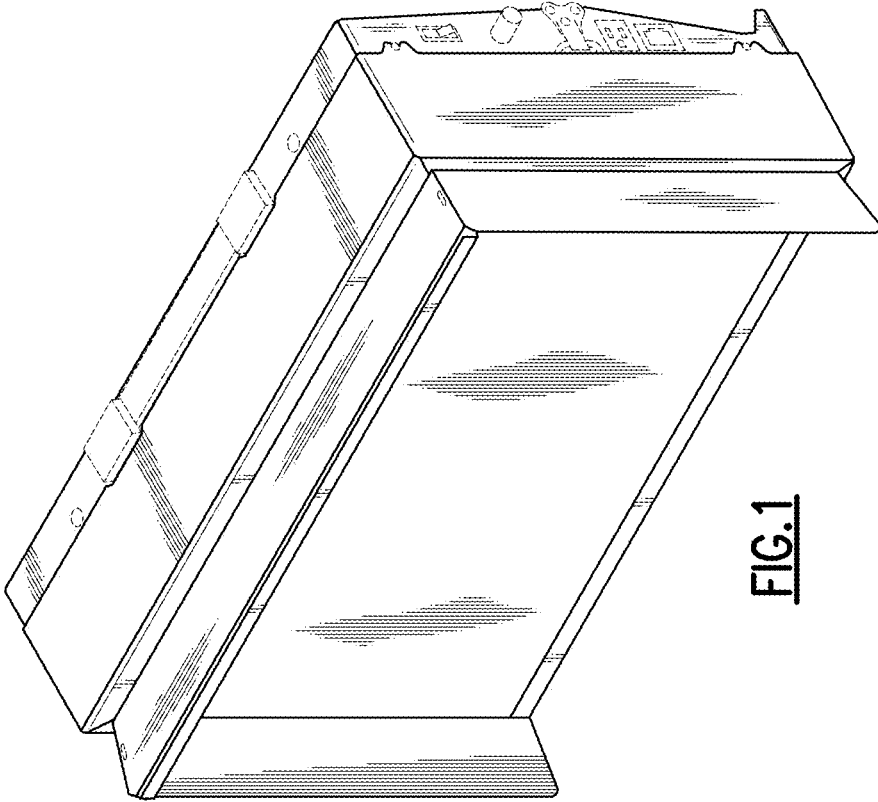


FIG. 1

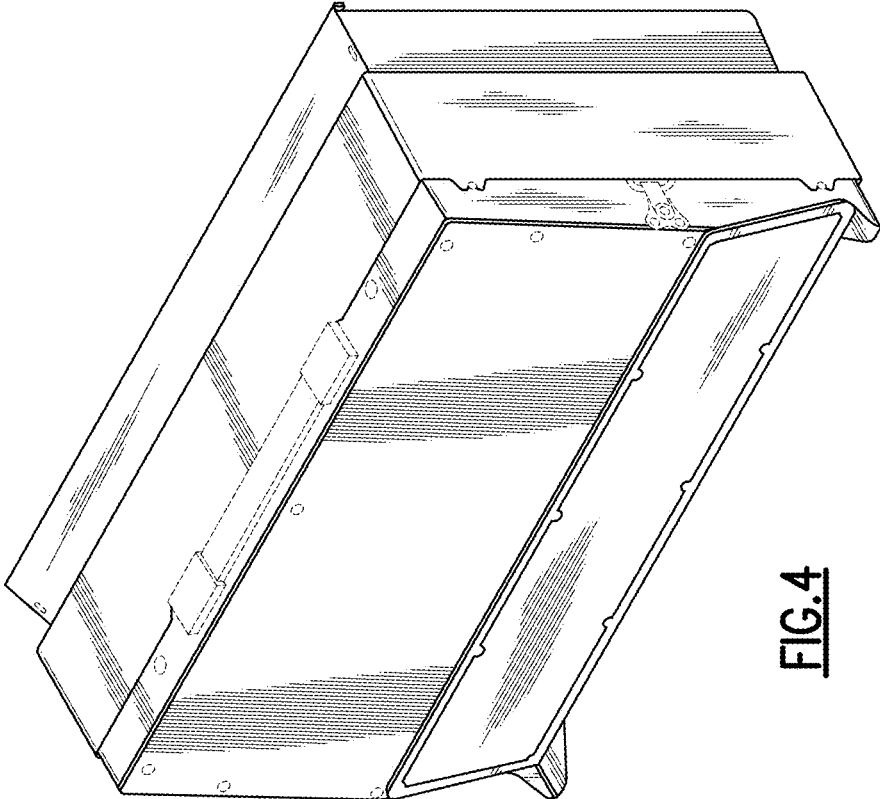


FIG. 4

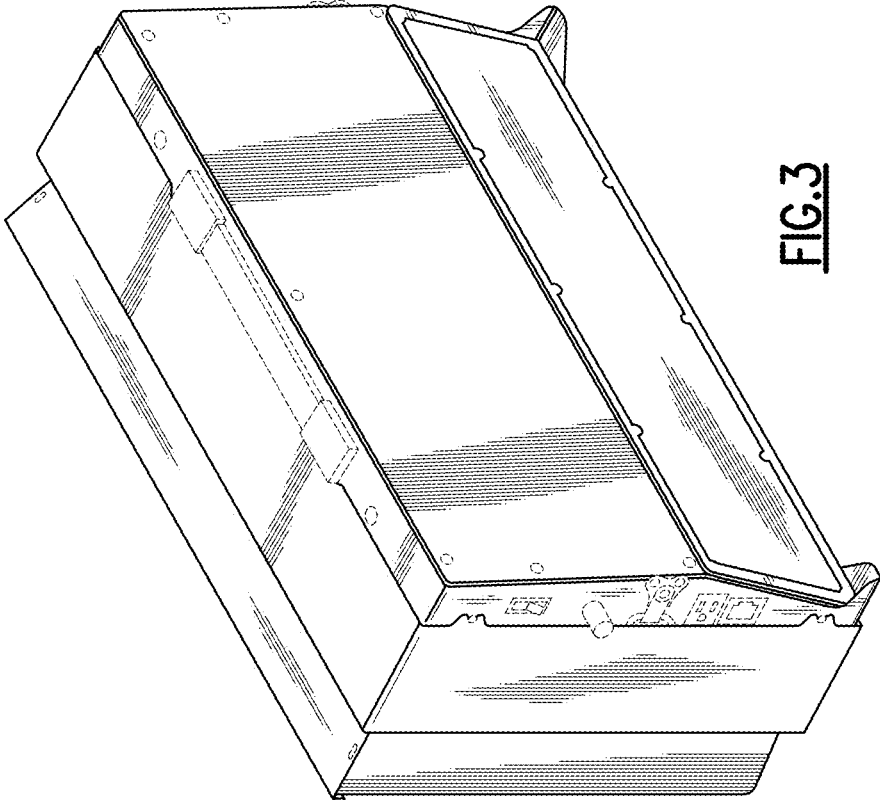


FIG. 3

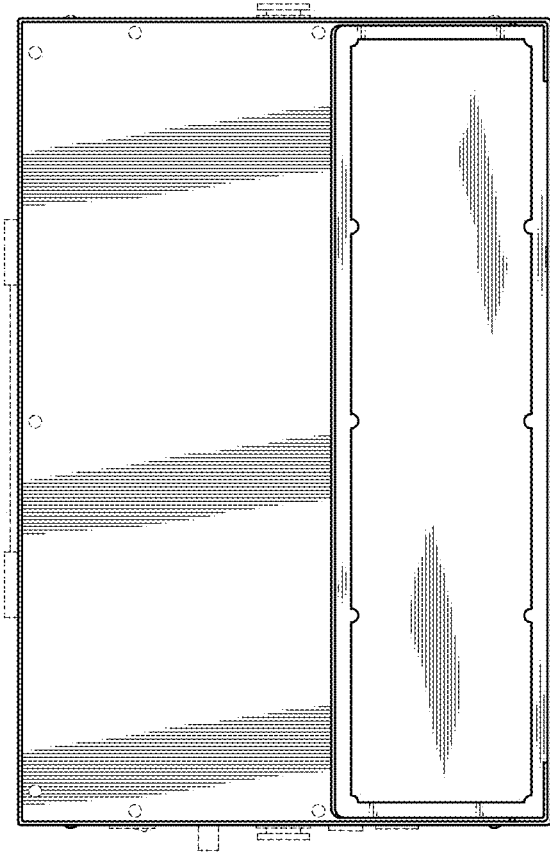


FIG. 6

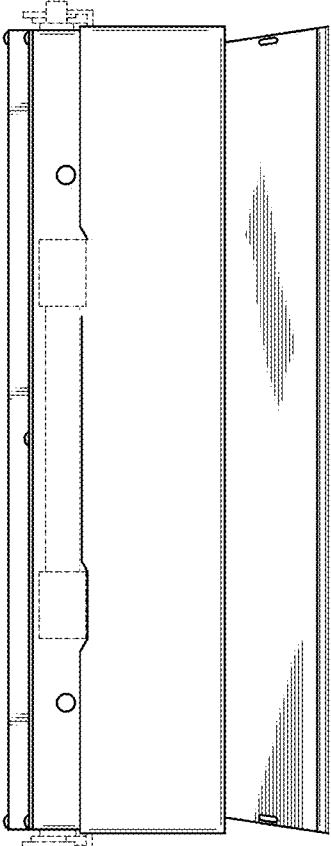


FIG. 5

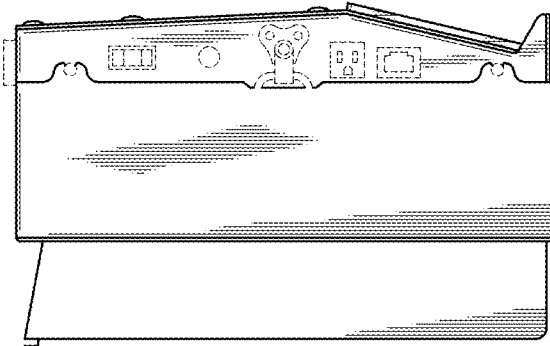


FIG.9

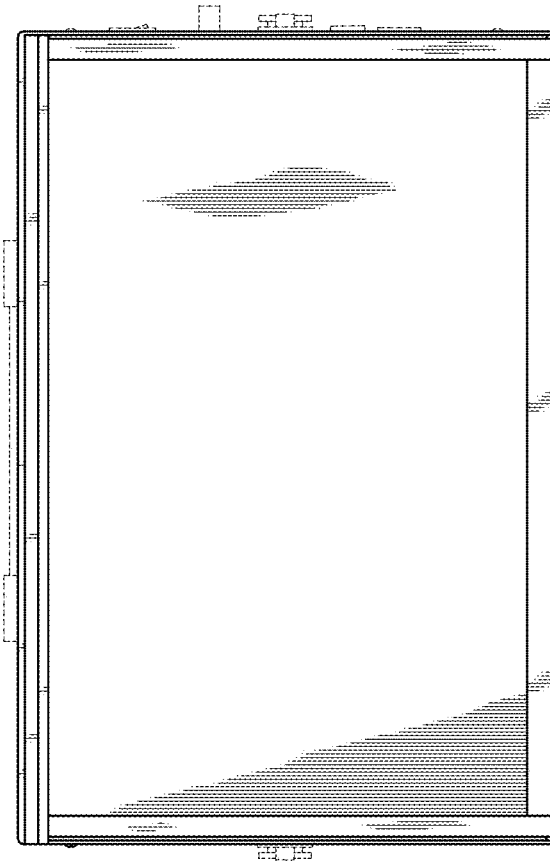


FIG.7

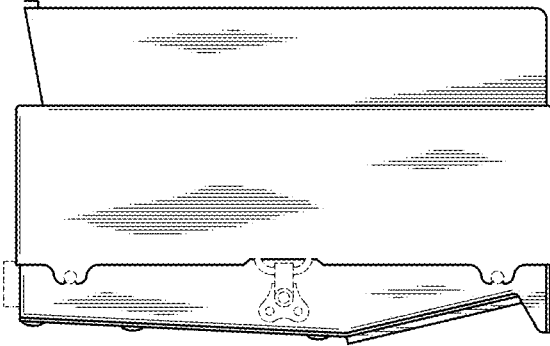


FIG.8