



US00D749519S

(12) **United States Design Patent**
Su et al.

(10) **Patent No.:** **US D749,519 S**

(45) **Date of Patent:** **** Feb. 16, 2016**

(54) **CIRCULAR CONNECTOR**

(71) Applicant: **NEXTRONICS ENGINEERING CORP.**, New Taipei (TW)

(72) Inventors: **Hou-An Su**, Keelung (TW); **Hai-Wen Yang**, Baoji (CN); **Xin-Chao Xiao**, Lianyuan (CN)

(73) Assignee: **NEXTRONICS ENGINEERING CORP.**, New Taipei (TW)

(**) Term: **14 Years**

(21) Appl. No.: **29/487,572**

(22) Filed: **Apr. 10, 2014**

(51) **LOC (10) Cl.** **13-03**

(52) **U.S. Cl.**
USPC **D13/147**

(58) **Field of Classification Search**
USPC D13/133, 146, 147, 154, 184, 199
See application file for complete search history.

(56) **References Cited**

U.S. PATENT DOCUMENTS

- D544,444 S * 6/2007 Yamada D13/147
- D582,850 S * 12/2008 Andre D13/133
- D644,609 S * 9/2011 Marroquin D13/147

- D698,730 S * 2/2014 Hori D13/146
- D708,138 S * 7/2014 Sticker D13/133
- D712,360 S * 9/2014 Su D13/147
- D721,654 S * 1/2015 Leem D13/146

* cited by examiner

Primary Examiner — Daniel Bui

(74) *Attorney, Agent, or Firm* — Li & Cai Intellectual Property (USA) Office

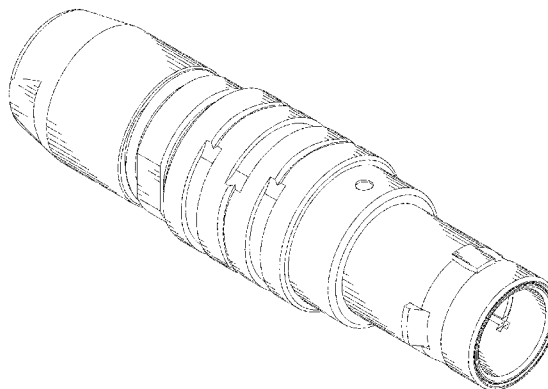
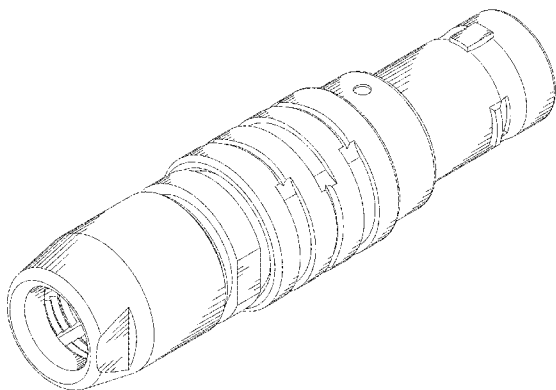
(57) **CLAIM**

The ornamental design for a “circular connector,” as shown and described.

DESCRIPTION

FIG. 1 is a front and top perspective view of a “circular connector” showing my new design;
 FIG. 2 is a front elevation view thereof;
 FIG. 3 is a rear elevation view thereof;
 FIG. 4 is a left side elevation view thereof;
 FIG. 5 is a right side elevation view thereof;
 FIG. 6 is a top plan view thereof;
 FIG. 7 is a bottom plan view thereof; and,
 FIG. 8 is a rear and top perspective view thereof.
 The broken line in the figure drawing views is included to show unclaimed environment only and forms no part of the claimed design.

1 Claim, 7 Drawing Sheets



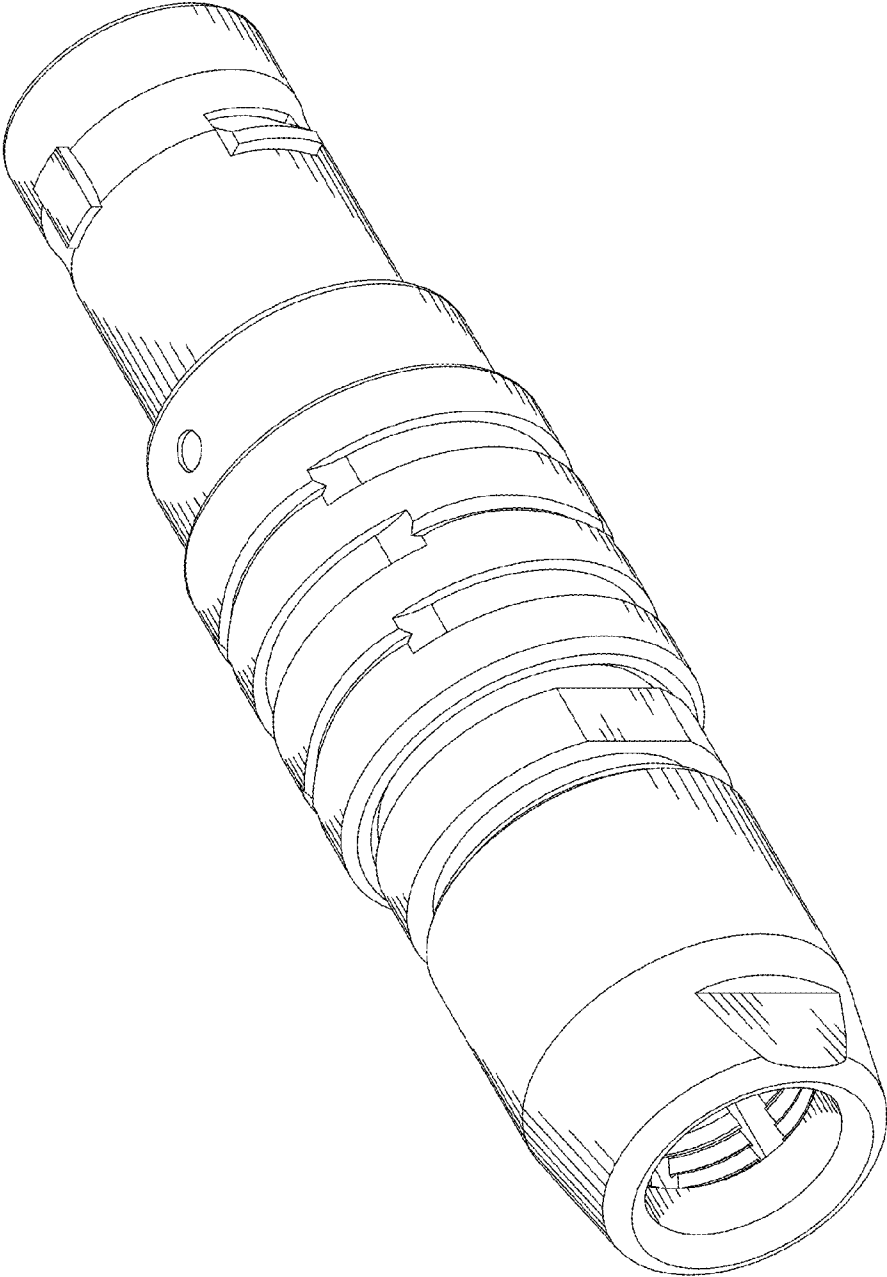


FIG.1

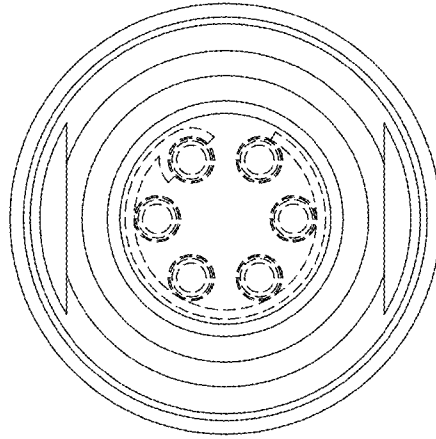


FIG. 2

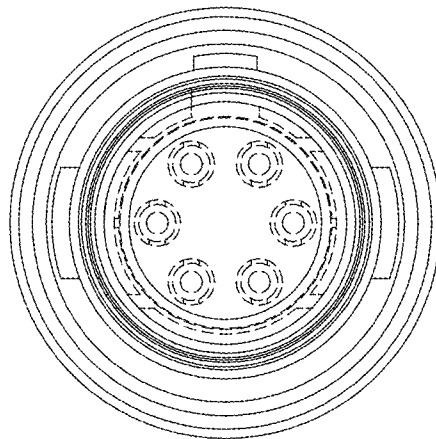


FIG. 3

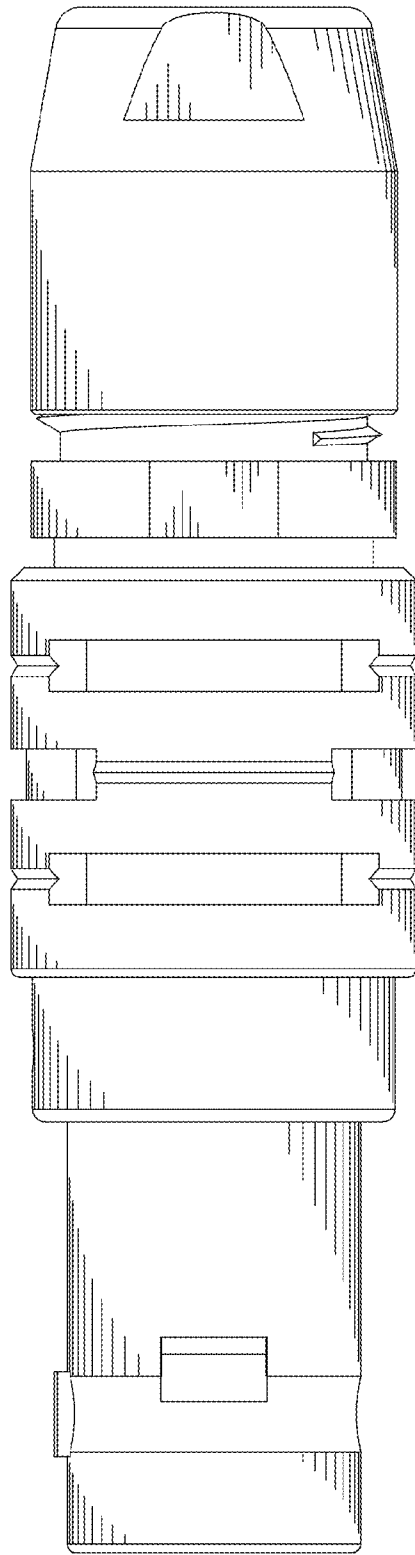


FIG.4

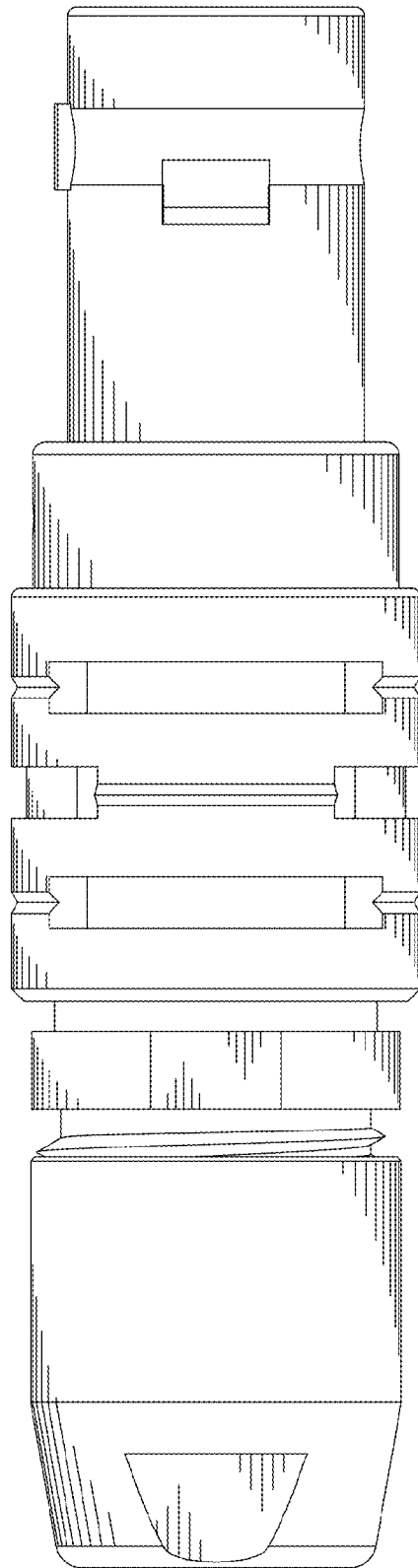


FIG.5

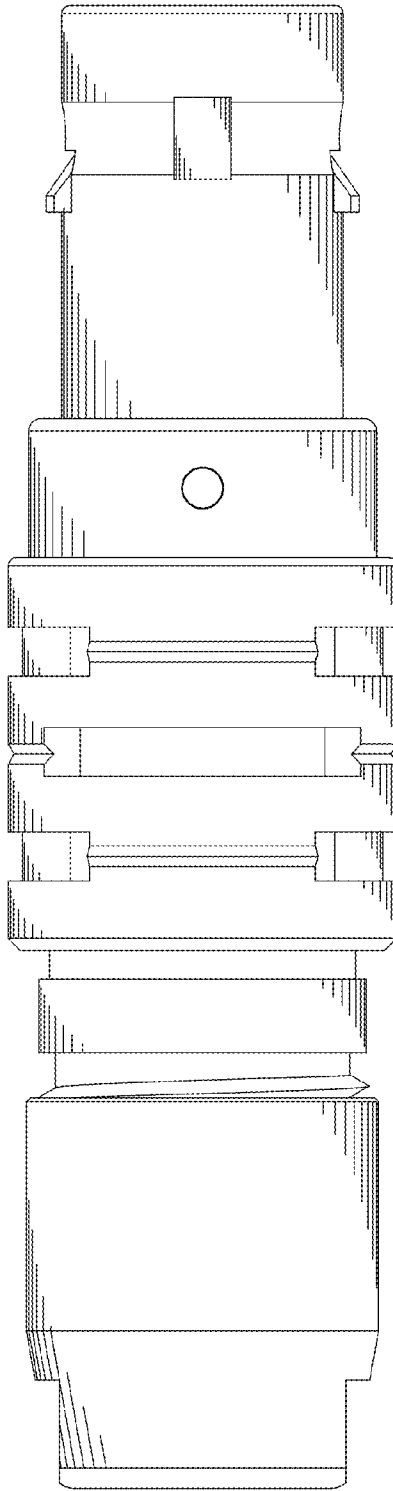


FIG.6

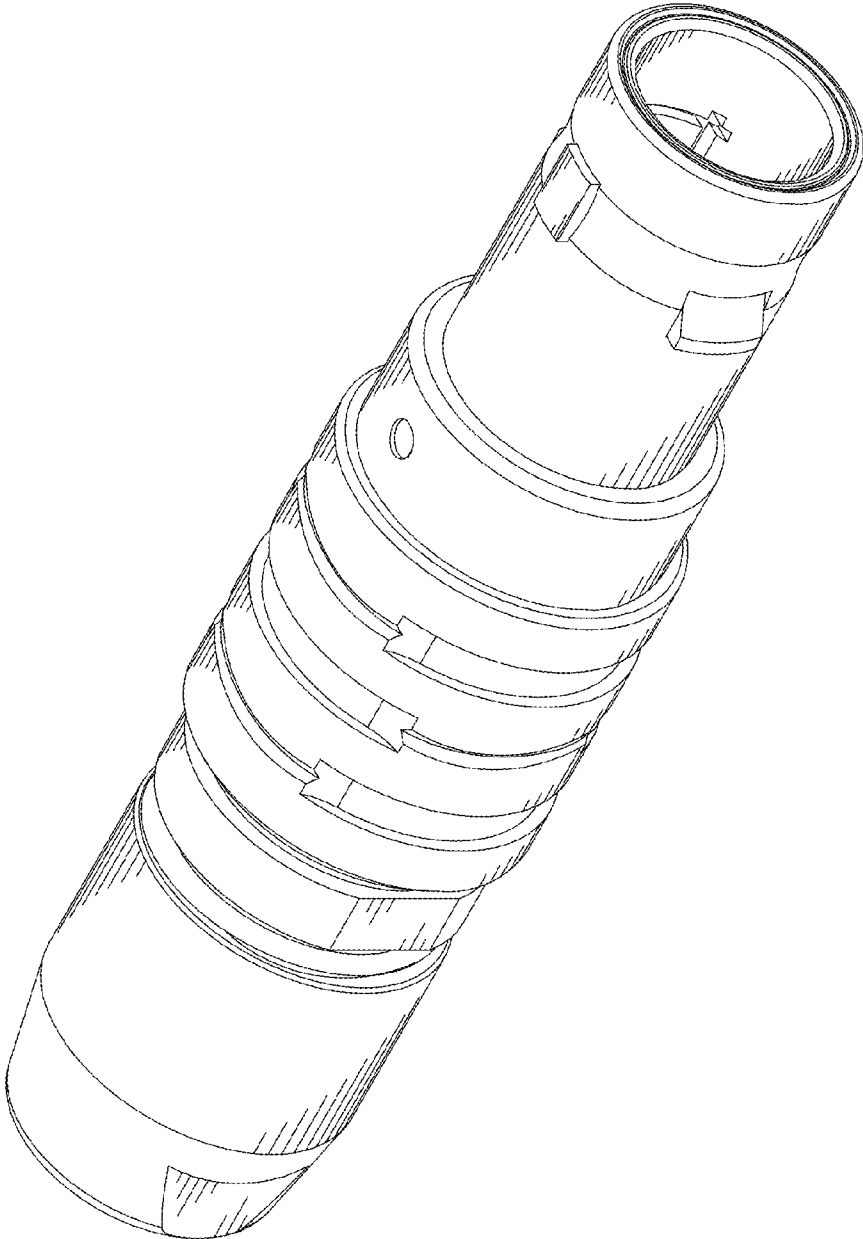


FIG.8