



US00D763542S

(12) **United States Design Patent**  
**Guidolin**

(10) **Patent No.:** **US D763,542 S**

(45) **Date of Patent:** **\*\* Aug. 16, 2016**

(54) **SNACK**

(71) Applicant: **MAFIN S.P.A.**, Galliera Veneta (IT)

(72) Inventor: **Eraldo Guidolin**, Galliera Veneta (IT)

(73) Assignee: **MAFIN S.p.A.**, Galliera Veneta (IT)

(\*\*) Term: **15 Years**

(21) Appl. No.: **29/505,223**

(22) Filed: **Aug. 3, 2015**

(30) **Foreign Application Priority Data**

Feb. 5, 2015 (EM) ..... 002627463

(51) **LOC (10) CL.** ..... **01-01**

(52) **U.S. Cl.**  
USPC ..... **D1/128**

(58) **Field of Classification Search**

USPC ..... D1/100-130, 199; 426/94, 104, 138,  
426/144, 391, 549, 808, 143, 559, 560;  
D7/388, 359, 409; D6/606; D25/38.1,  
D25/100, 114, 119, 138, 140, 141; 119/710;  
D9/456; 521/79; 72/301; D23/365;  
52/312, 560; 428/174, 182  
CPC ..... A21D 13/0029; A21D 13/0074; A21D  
13/0022; A21D 13/0006; A23L 1/1641;  
A23L 1/005

See application file for complete search history.

(56) **References Cited**

**U.S. PATENT DOCUMENTS**

351,116 A \* 10/1886 Mankey ..... E04F 19/02  
52/312  
D116,174 S \* 8/1939 Trabold ..... D1/199  
2,588,812 A \* 3/1952 Dougherty ..... C10G 73/40  
206/503

D208,397 S \* 8/1967 Reinhart ..... D1/199  
D226,595 S \* 4/1973 Caunes ..... D1/121  
3,796,812 A \* 3/1974 Baensch ..... A01K 61/02  
426/108  
4,166,136 A \* 8/1979 Stoll ..... A23L 1/16  
426/144  
4,511,586 A \* 4/1985 Fitzwater ..... A23L 1/2161  
426/144  
D310,287 S \* 9/1990 Pellegrino ..... D1/126  
D411,111 S \* 6/1999 Rodriguez, Jr. .... 426/144  
D560,094 S \* 1/2008 Miller ..... D7/387  
D639,526 S \* 6/2011 Allen ..... D1/125  
D717,516 S \* 11/2014 King ..... D1/125

**OTHER PUBLICATIONS**

Hazzelelponi. "Sun Chips." Deviant Art. May 26, 2011. Web. Apr. 28, 2016.  
<<http://hazzelelponi.deviantart.com/art/Sun-Chips-196859851>>.\*

\* cited by examiner

*Primary Examiner* — Garth Rademaker

*Assistant Examiner* — Katie S Mroczka

(74) *Attorney, Agent, or Firm* — Modiano & Associati;  
Daniel J. O'Byrne

(57) **CLAIM**

The ornamental design for a snack, as shown.

**DESCRIPTION**

FIG. 1 is a perspective view of a snack showing my new design;

FIG. 2 is a front view thereof;

FIG. 3 is a rear view thereof;

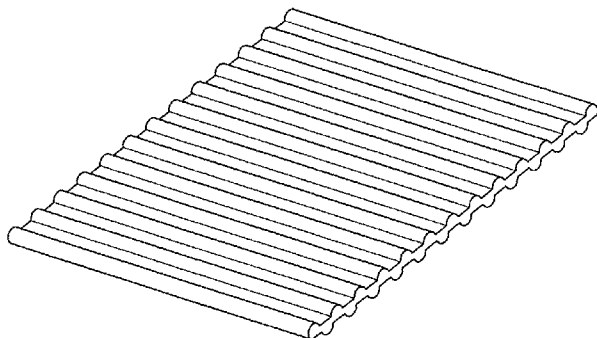
FIG. 4 is a left side view thereof;

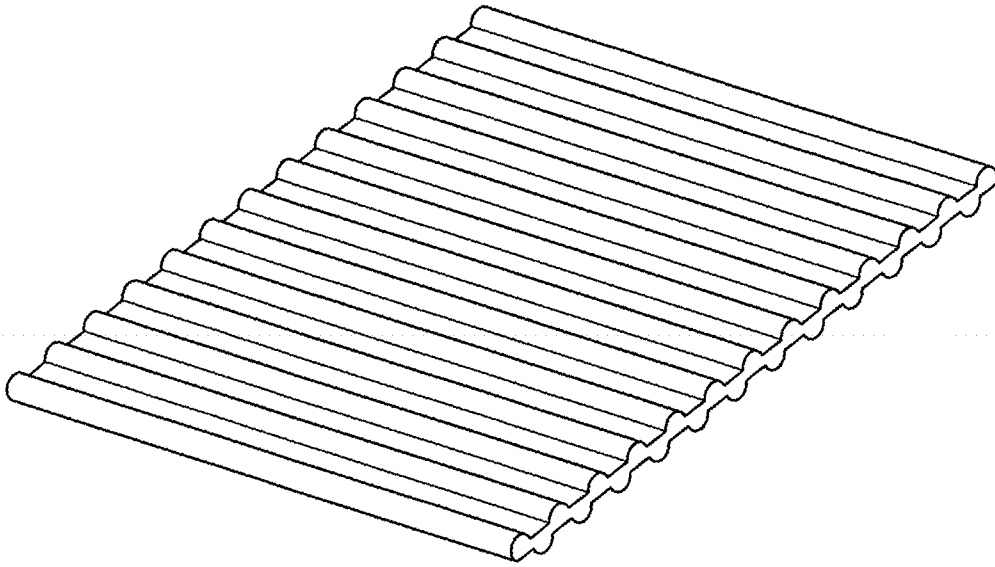
FIG. 5 is a right side view thereof;

FIG. 6 is a top view thereof; and,

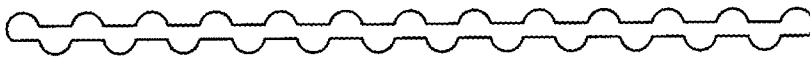
FIG. 7 is a bottom view thereof.

**1 Claim, 3 Drawing Sheets**

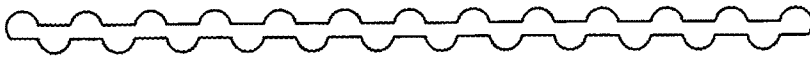




*Fig. 1*



*Fig. 2*



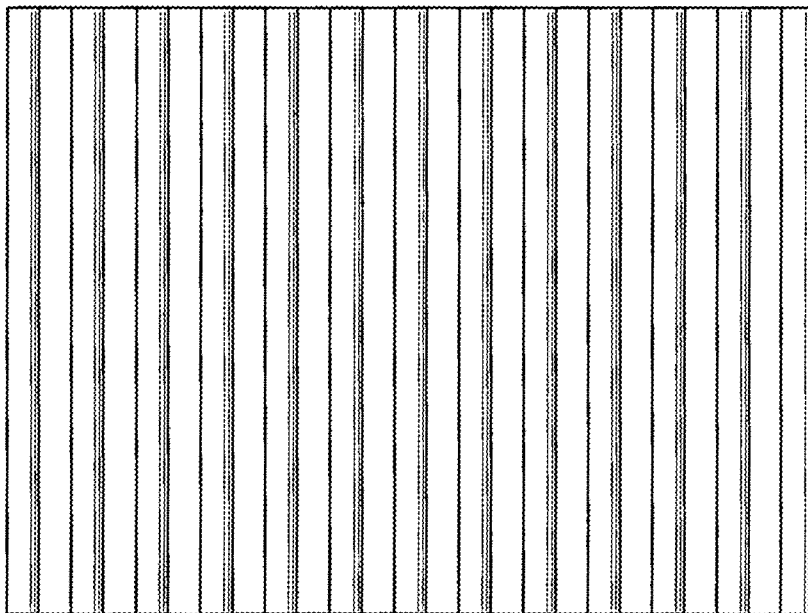
*Fig. 3*



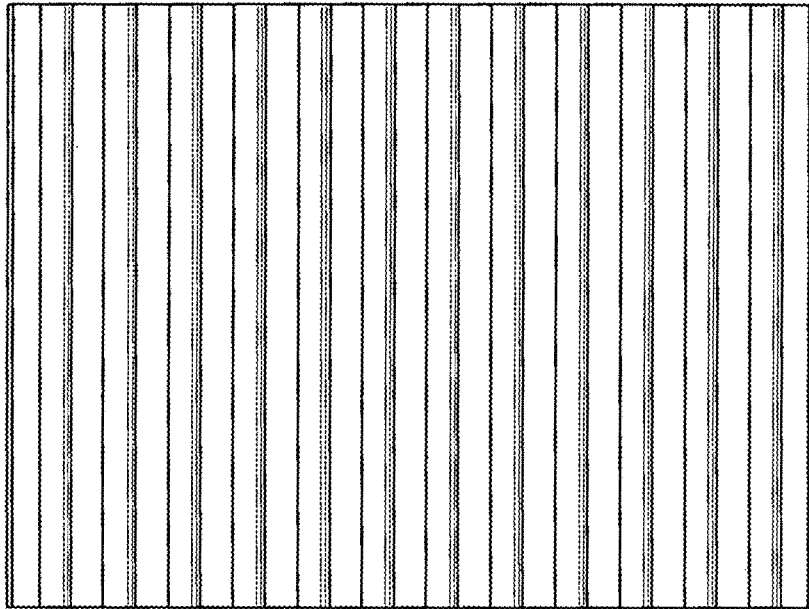
*Fig. 4*



*Fig. 5*



*Fig. 6*



*Fig. 7*