



US00D749521S

(12) **United States Design Patent**
Badowski

(10) **Patent No.:** **US D749,521 S**

(45) **Date of Patent:** **** Feb. 16, 2016**

(54) **OUTLET BOX**

(71) Applicant: **Oatey Co.**, Cleveland, OH (US)

(72) Inventor: **Clint David Badowski**, Spencer, OH (US)

(73) Assignee: **OATEY CO.**, Cleveland, OH (US)

(**) Term: **14 Years**

(21) Appl. No.: **29/514,358**

(22) Filed: **Jan. 12, 2015**

Related U.S. Application Data

(63) Continuation of application No. 29/473,509, filed on Nov. 22, 2013, now Pat. No. Des. 721,041.

(51) **LOC (10) CI.** **13-03**

(52) **U.S. CI.**

USPC **D13/152**

(58) **Field of Classification Search**

USPC D13/152, 151, 147, 158, 153, 155, 156,
D13/137.1, 137.4, 139.3, 139.2, 133, 184;
220/3.2, 3.3, 3.4-3.9, 3.92, 3.94, 4.02;
174/58, 50.56, 51; 439/675, 668, 623

See application file for complete search history.

(56) **References Cited**

U.S. PATENT DOCUMENTS

D410,630 S * 6/1999 Kodaira D13/147
D461,779 S * 8/2002 Hughes D13/152
D499,069 S * 11/2004 Stanush D13/152
D507,539 S * 7/2005 Hull D13/152
D545,765 S * 7/2007 Cockburn D13/147
D549,663 S * 8/2007 Tsou D13/147

D553,093 S * 10/2007 Miller D13/152
D570,292 S * 6/2008 Schulz D13/152
7,432,440 B2 * 10/2008 Hull H02G 3/126
174/50
7,614,419 B2 * 11/2009 Minnick B05C 5/0216
137/271
D640,204 S * 6/2011 Albag D13/152
D679,252 S * 4/2013 Wagner D13/152
8,701,911 B2 * 4/2014 Youssef H02G 3/121
174/481
D708,146 S * 7/2014 Soni D13/155

* cited by examiner

Primary Examiner — Holly Baynham

Assistant Examiner — Rhea Shields

(74) *Attorney, Agent, or Firm* — Baker & Hostetler LLP

(57) **CLAIM**

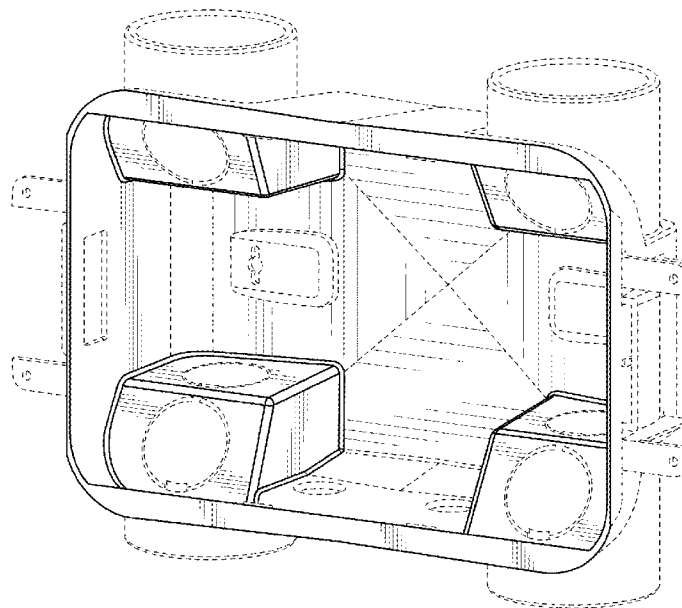
I claim the ornamental design for an outlet box, as shown and described.

DESCRIPTION

FIG. 1 is a front/right/top perspective view of the outlet box; FIG. 2 is a back/left/bottom perspective view thereof; FIG. 3 is a front elevational view thereof; FIG. 4 is a rear elevational view thereof; FIG. 5 is a left side elevational view thereof; FIG. 6 is a right side elevational view thereof; FIG. 7 is a top plan view thereof; and, FIG. 8 is a bottom plan view thereof.

The dash-dot lines and broken lines immediately adjacent the shaded areas represent the bounds of the claimed design, while all other broken lines are directed to environment; the dash-dot lines and broken lines form no part of the claimed design.

1 Claim, 3 Drawing Sheets



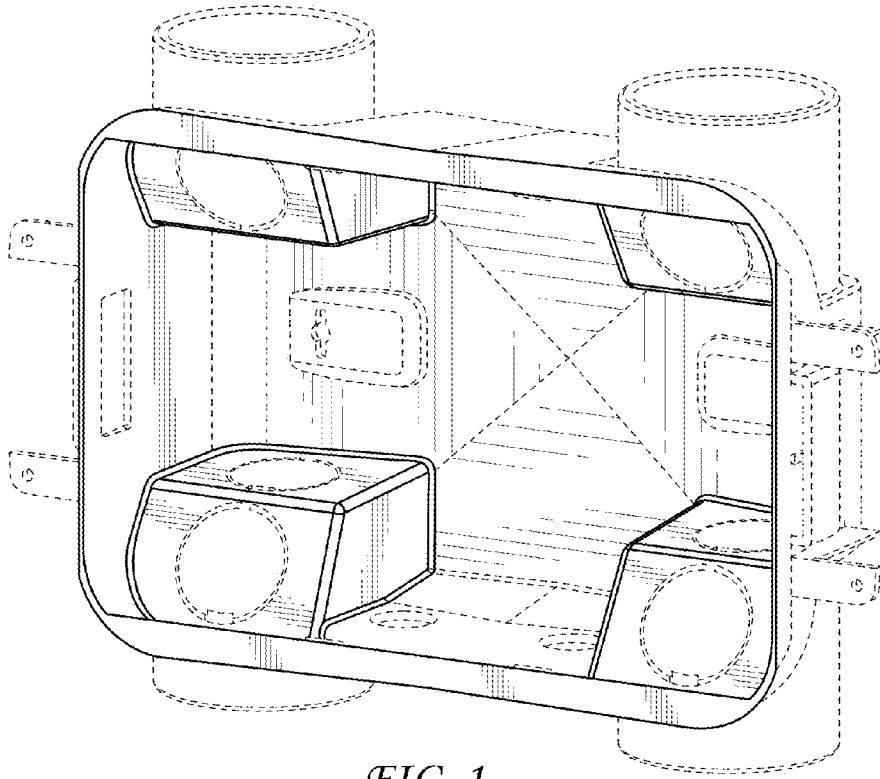


FIG. 1

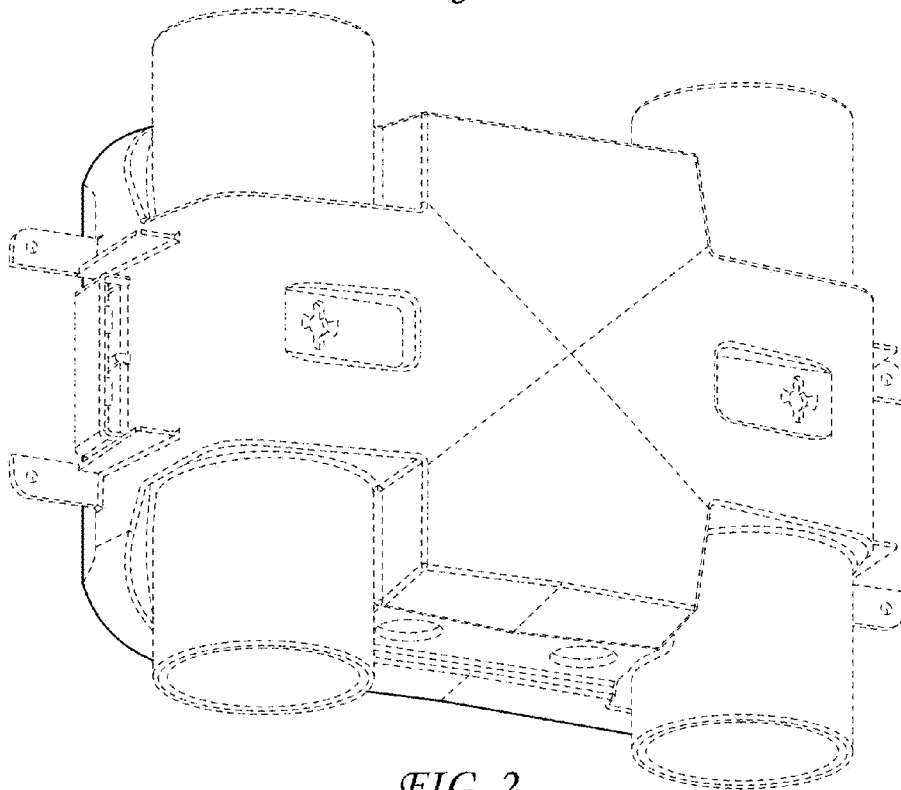


FIG. 2

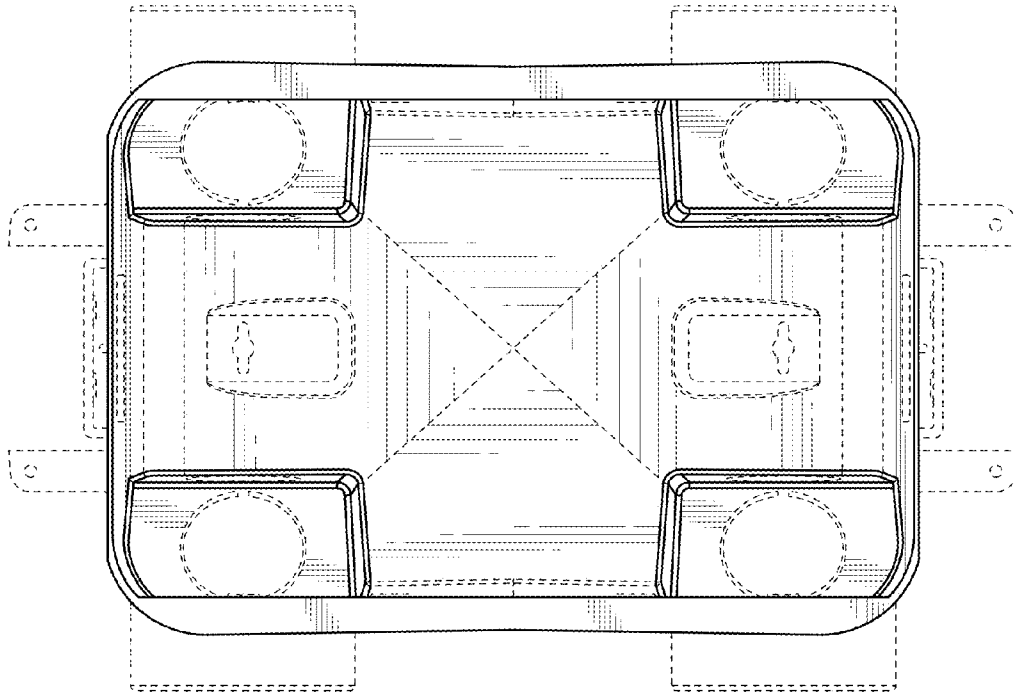


FIG. 3

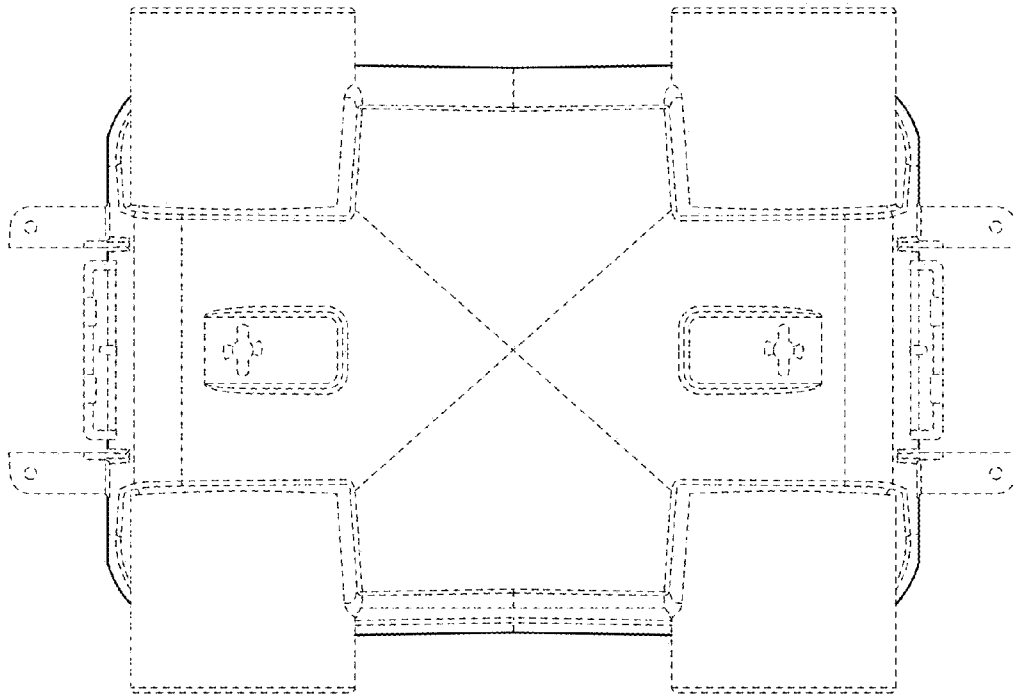


FIG. 4

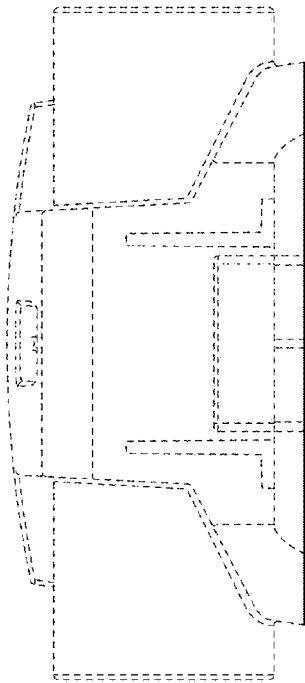


FIG. 5

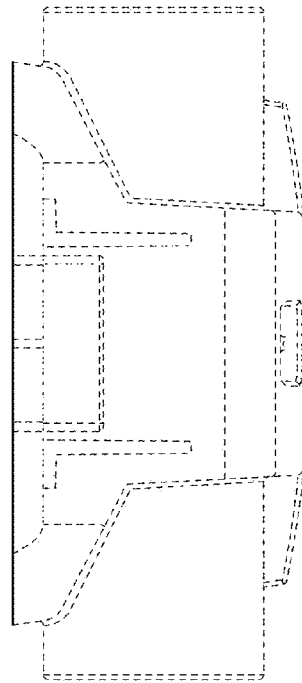


FIG. 6

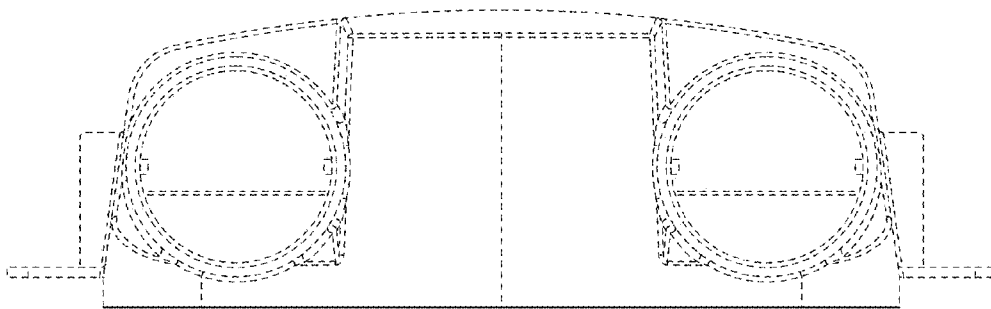


FIG. 7

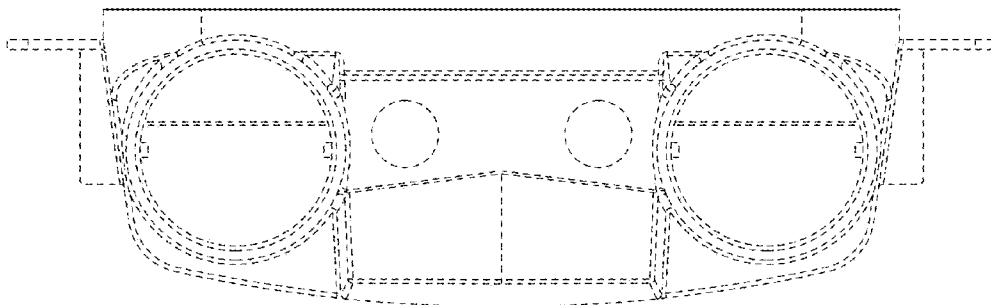


FIG. 8