



US00D780466S

(12) **United States Design Patent**  
**Jones**

(10) **Patent No.:** **US D780,466 S**  
(45) **Date of Patent:** **\*\* Mar. 7, 2017**

(54) **GARMENT HANGER**  
(71) Applicant: **MAINETTI GMBH**, Detmold (DE)  
(72) Inventor: **Michael Edward Jones**, Ruthin (GB)  
(\*\*) Term: **15 Years**

D305,835 S \* 2/1990 DeVito ..... D6/326  
5,509,587 A \* 4/1996 Gouldson ..... A47G 25/28  
223/85  
D565,308 S \* 4/2008 Gouldson ..... D6/319  
D606,767 S \* 12/2009 Warren ..... D6/319  
D628,820 S \* 12/2010 Warren ..... D6/326  
D628,821 S \* 12/2010 Warren ..... D6/326

(21) Appl. No.: **35/500,510**  
(22) Filed: **Oct. 2, 2015**

**FOREIGN PATENT DOCUMENTS**

WO DM/067 081 \* 9/2006

\* cited by examiner

(80) **Hague Agreement Data**

Int. Filing Date: **Oct. 2, 2015**  
Int. Reg. No.: **DM/088882**  
Int. Reg. Date: **Oct. 2, 2015**  
Int. Reg. Pub. Date: **Jan. 22, 2016**

*Primary Examiner* — Mary Ann Calabrese  
(74) *Attorney, Agent, or Firm* — The Belles Group, P.C.

(30) **Foreign Application Priority Data**

Apr. 4, 2015 (GB) ..... 4040265  
Apr. 4, 2015 (GB) ..... 4040266  
Apr. 8, 2015 (GB) ..... 4040268

(57) **CLAIM**

I claim the ornamental design for garment hanger, as shown and described.

(51) **LOC (10) Cl.** ..... **06-08**  
(52) **U.S. Cl.**  
USPC ..... **D6/326**

**DESCRIPTION**

(58) **Field of Classification Search**  
USPC ..... D6/315, 317, 319, 320, 323, 325, 326  
CPC ..... A47G 25/14; A47G 25/1407; A47G 25/28  
See application file for complete search history.

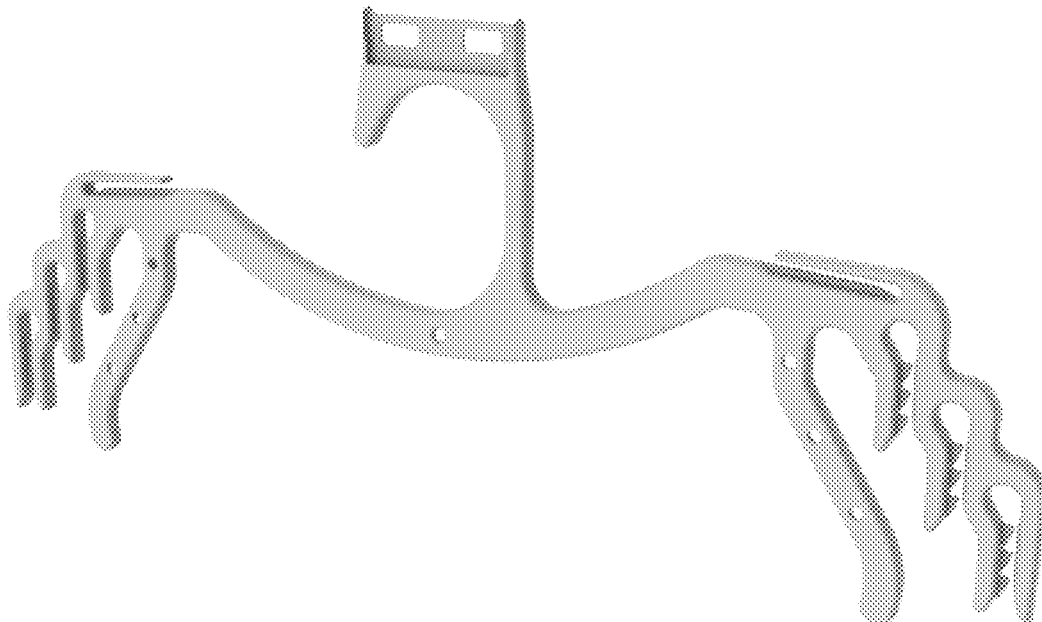
**1.1** is a perspective view of a garment hanger according to the present invention.  
**1.2** is a front view of the garment hanger of **1.1**.  
**1.3** is a top view of the garment hanger of **1.1**.  
**1.4** is a left-side view of the garment hanger of **1.1**.  
**1.5** is a rear view the garment hanger of **1.1**.  
**1.6** is a bottom view of the garment hanger of **1.1**.  
**1.7** is a right-side view of the garment hanger of **1.1**.

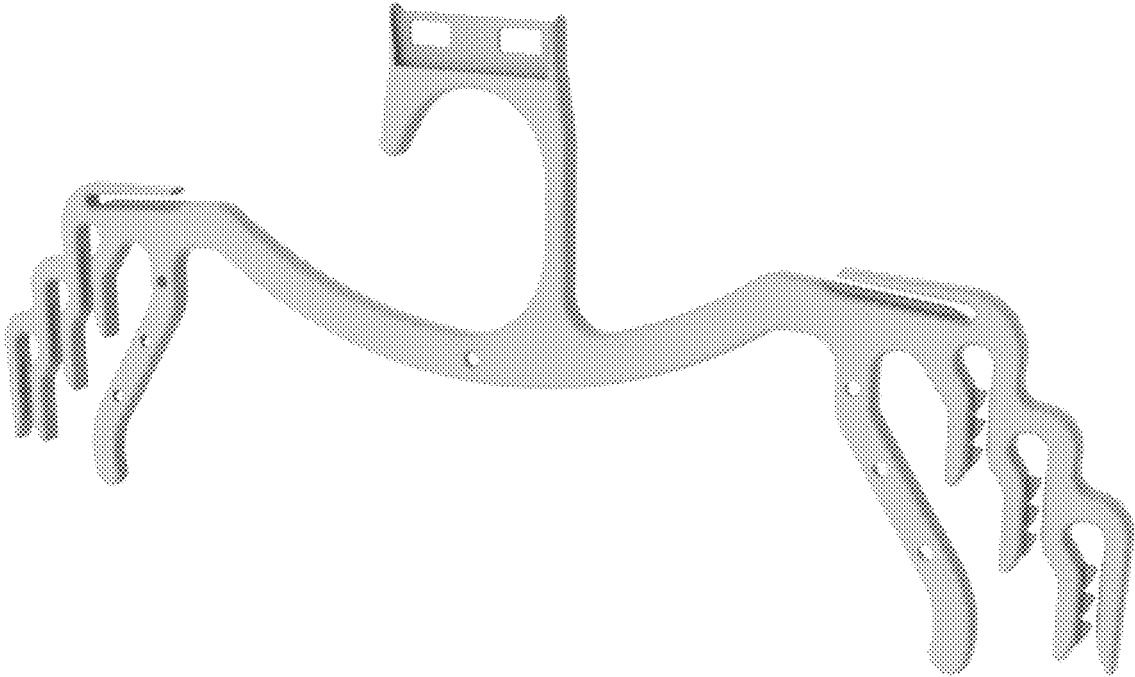
(56) **References Cited**

**U.S. PATENT DOCUMENTS**

D202,240 S \* 9/1965 Bissonnette ..... D6/318  
D305,834 S \* 2/1990 DeVito ..... D6/326

**1 Claim, 7 Drawing Sheets**





1.1



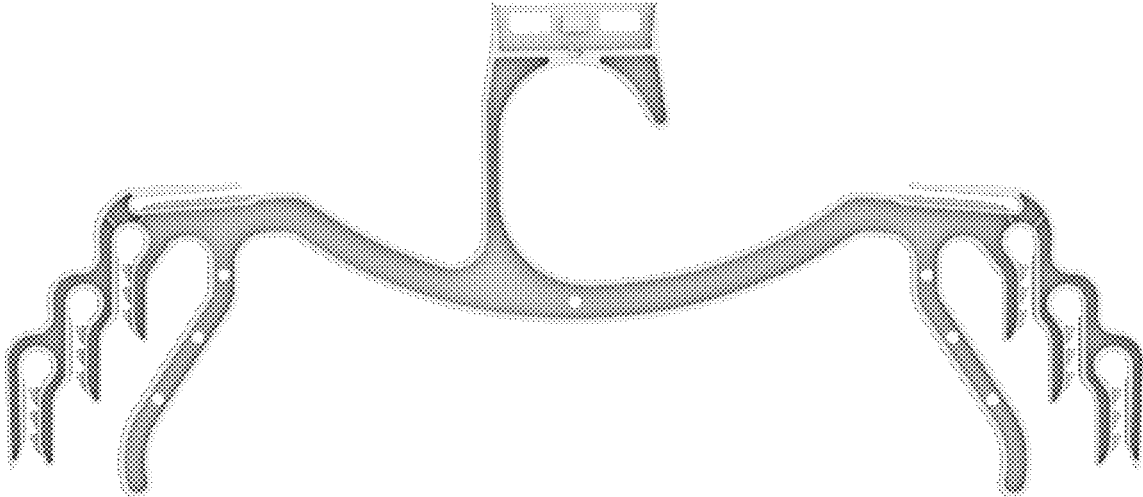
1.2



1.3



1.4



1.5



1.6



1.7