



US00D345577S

**United States Patent** [19]  
**Höhner**

[11] **Patent Number: Des. 345,577**  
[45] **Date of Patent: \*\* Mar. 29, 1994**

[54] **BALL POINT PEN**

[75] **Inventor: Hans M. Höhner, Wolfach, Fed. Rep. of Germany**

[73] **Assignee: Klio Eterna Schreibgerate GmbH & Co. KG, Wolfach, Fed. Rep. of Germany**

[\*\*] **Term: 14 Years**

[21] **Appl. No.: 2,336**

[22] **Filed: Dec. 7, 1992**

[30] **Foreign Application Priority Data**

Jun. 25, 1992 [DE] Fed. Rep. of Germany .... 92 04 723

[52] **U.S. Cl. .... D19/48; D19/50; D19/51; D19/56**

[58] **Field of Search .... 401/99, 100, 102, 103, 401/104; D19/35, 36, 41-51, 54-58, 81-85**

[56] **References Cited**

**U.S. PATENT DOCUMENTS**

D. 284,773 7/1986 Schwartz et al. .... D19/48  
D. 306,458 3/1990 Lecce ..... D19/41 X

D. 318,490 7/1991 Klodt ..... D19/41 X  
D. 319,844 9/1991 Grötsch et al. .... D19/43 X  
D. 319,845 9/1991 Grötsch et al. .... D19/41 X  
D. 321,719 11/1991 Nitta ..... D19/48  
D. 323,186 1/1992 Clark et al. .... D19/48  
D. 329,660 9/1992 Yamanaka ..... D19/48

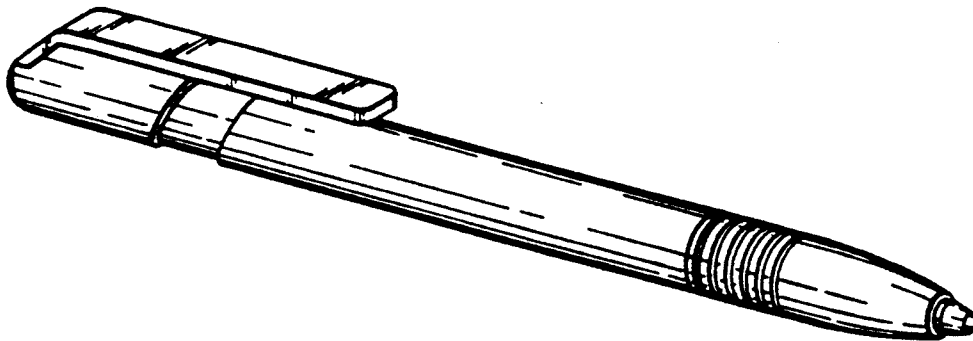
*Primary Examiner*—Nelson C. Holtje  
*Assistant Examiner*—Martie Thompson  
*Attorney, Agent, or Firm*—Darby & Darby

[57] **CLAIM**

The ornamental design for a ball point pen, as shown and described.

**DESCRIPTION**

FIG. 1 is a perspective view of a ball point pen showing my new design;  
FIG. 2 is a front elevational view thereof;  
FIG. 3 is one side elevational view thereof, the other side elevational view being a mirror image of the one view;  
FIG. 4 is a rear elevational view thereof;  
FIG. 5 is a top plan view thereof; and,  
FIG. 6 is a bottom plan view thereof.



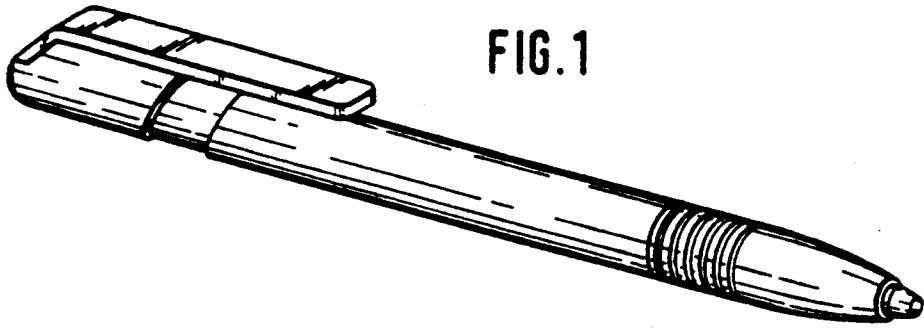


FIG. 1

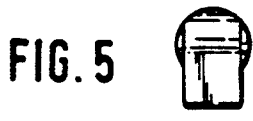


FIG. 5

FIG. 3



FIG. 2



FIG. 4

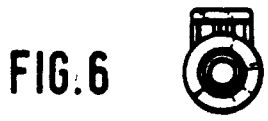


FIG. 6