



US00D551614S

(12) **United States Design Patent**
Liukkula et al.

(10) **Patent No.:** **US D551,614 S**

(45) **Date of Patent:** **** Sep. 25, 2007**

(54) **TIRE STUD**

(75) Inventors: **Mikko Liukkula**, Viiala (FI); **Pentti Eromäki**, Nokia (FI); **Juha Pirhonen**, Sarkola (FI)

(73) Assignee: **Nokian Tyres PLC**, Nokia (FI)

(**) Term: **14 Years**

(21) Appl. No.: **29/242,390**

(22) Filed: **Nov. 9, 2005**

(30) **Foreign Application Priority Data**

May 13, 2005 (EM) 000346580-0001/005

(51) **LOC (8) Cl.** **12-15**

(52) **U.S. Cl.** **D12/608**

(58) **Field of Classification Search** D12/500,
D12/501, 544, 579, 604, 608; 36/59 R, 59 B,
36/67 A; 152/64, 110, 164, 208, 209.12,
152/210, 222, 225 R, 226, 243; 305/19,
305/187, 189, 191; 301/41.1
See application file for complete search history.

(56) **References Cited**

U.S. PATENT DOCUMENTS

3,889,735 A * 6/1975 Salakari 152/210

3,998,257 A * 12/1976 Mayra 152/210
5,581,913 A * 12/1996 Kataoka et al. 36/134
D431,215 S * 9/2000 Nyblom D12/608
2004/0163746 A1* 8/2004 Eromaki 152/210
2004/0231775 A1* 11/2004 Eromaki 152/210

* cited by examiner

Primary Examiner—Robert M. Spear

(74) *Attorney, Agent, or Firm*—Klauber & Jackson LLC

(57) **CLAIM**

The ornamental design for tire stud, as shown.

DESCRIPTION

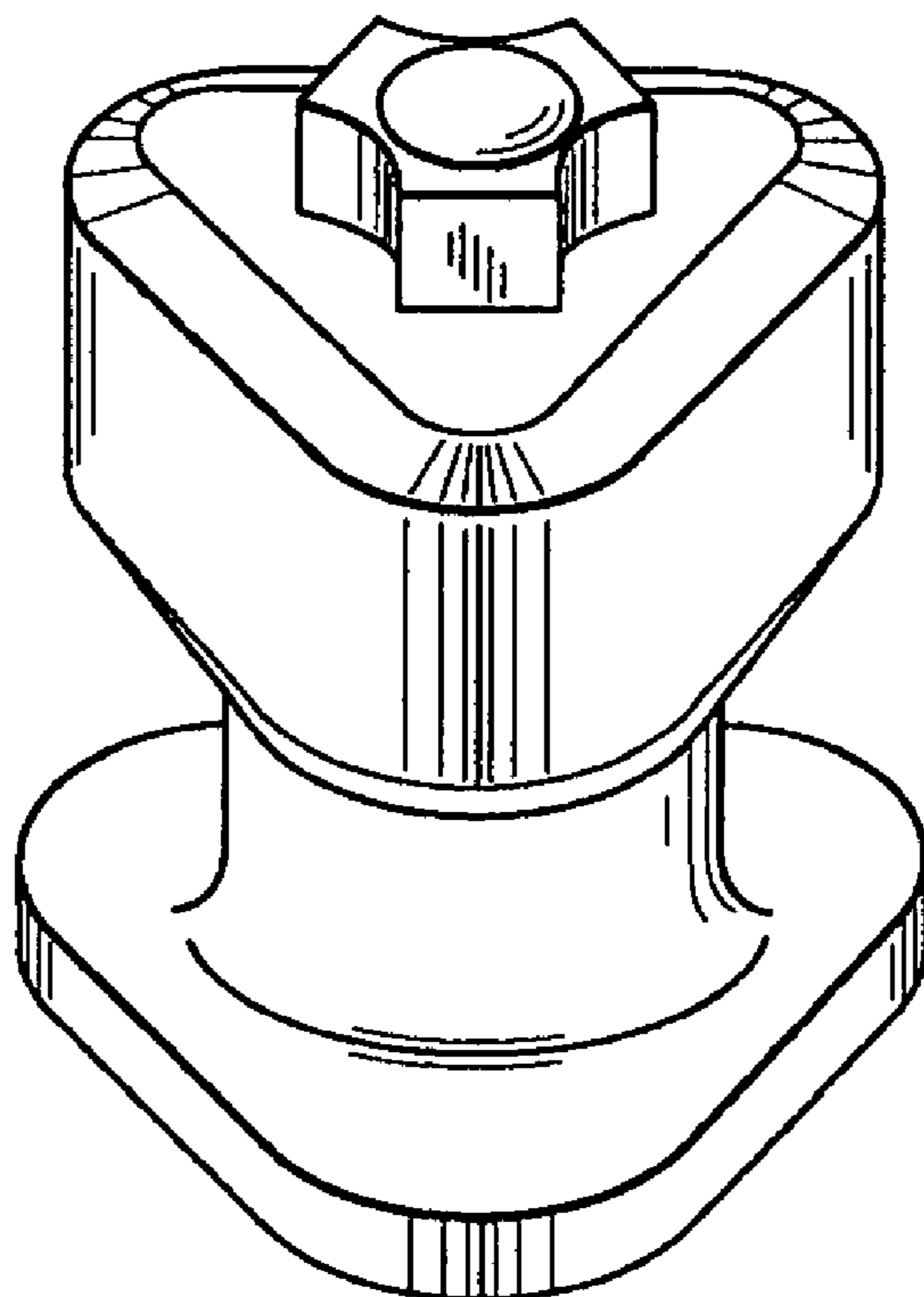
FIG. 1 is a top front perspective view of a tire stud of our claimed design;

FIG. 2 is a side elevational view of the design of FIG. 1;

FIG. 3 is a top view thereof; and,

FIG. 4 is a bottom view thereof.

1 Claim, 1 Drawing Sheet



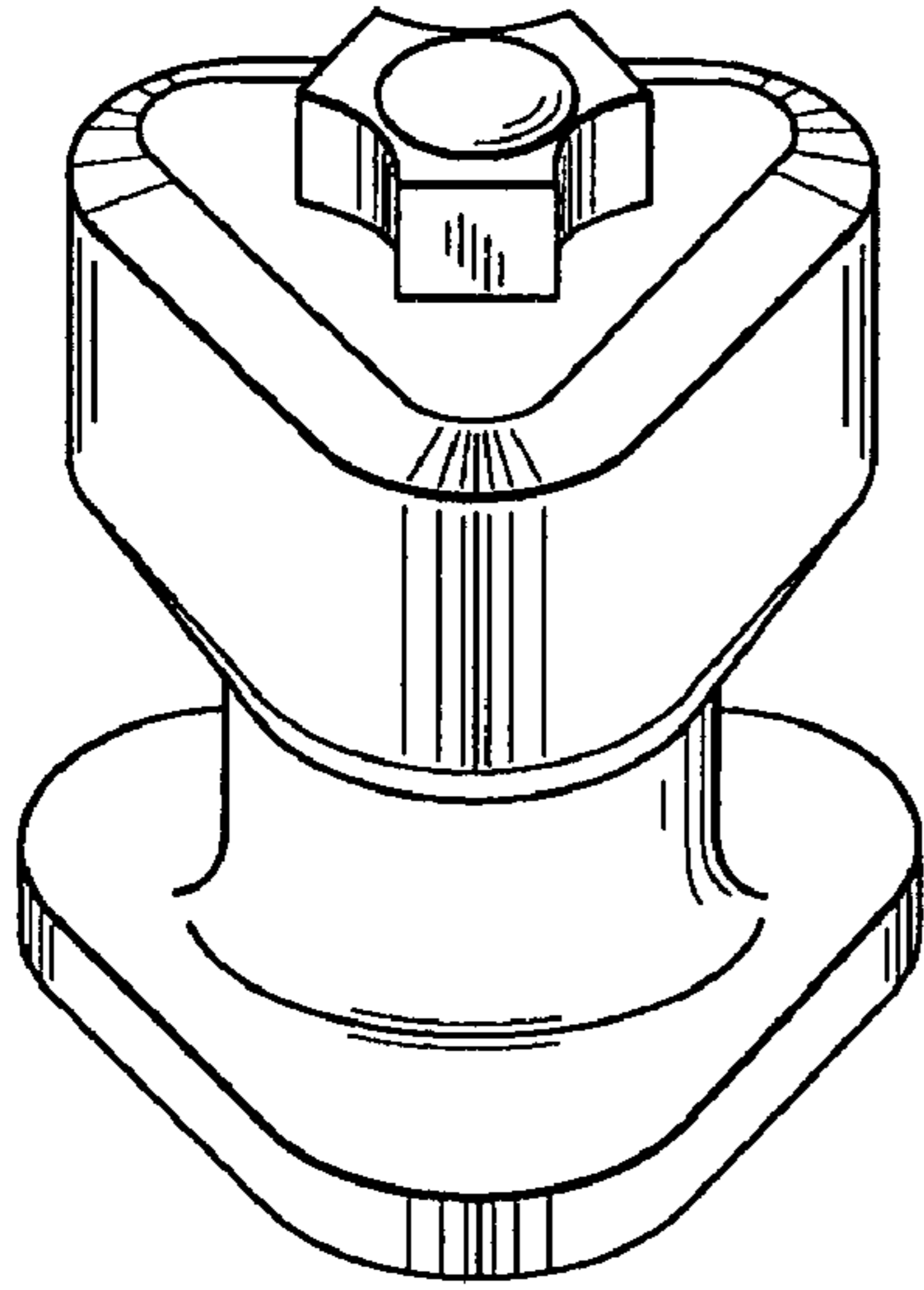


Fig. 1

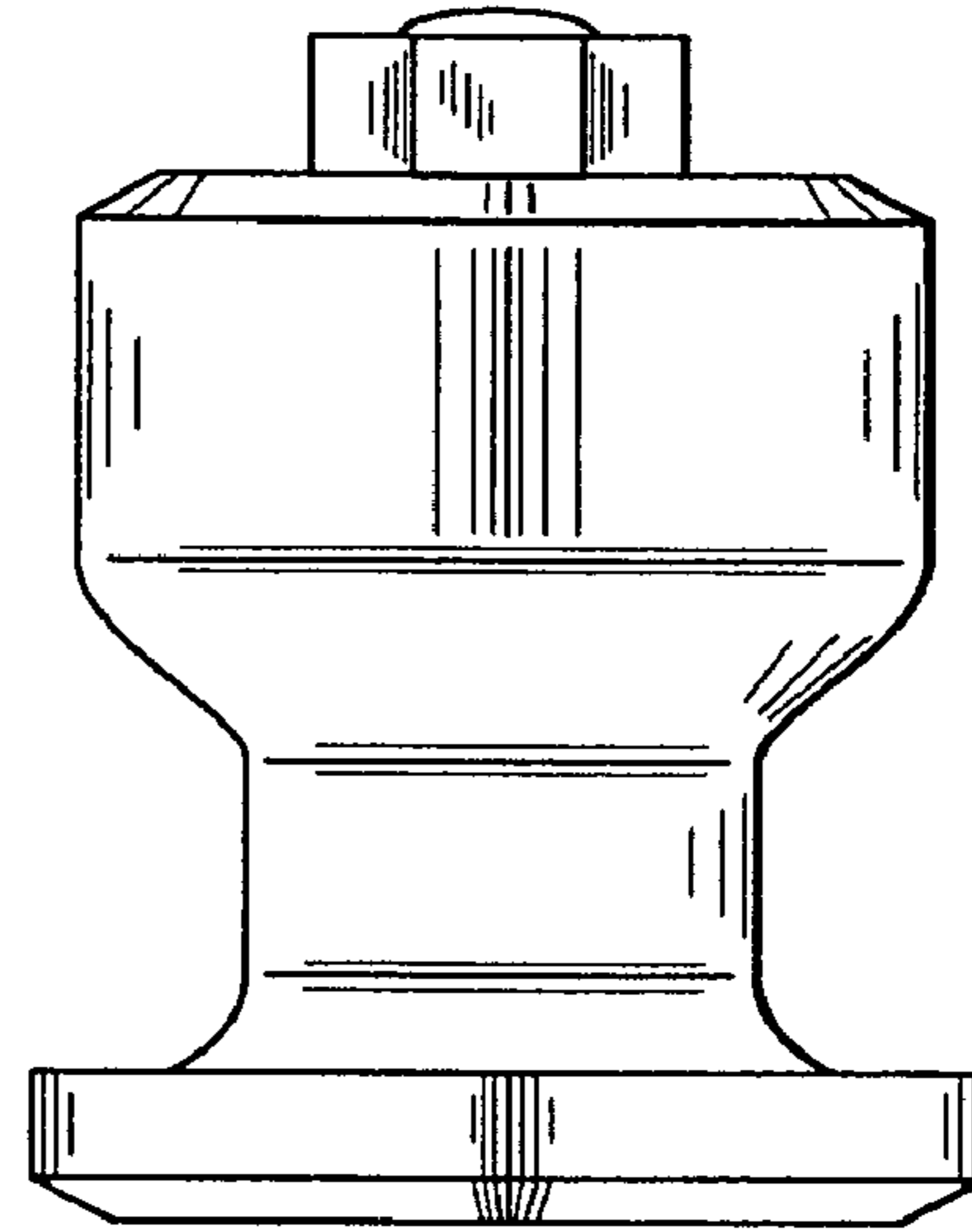


Fig. 2

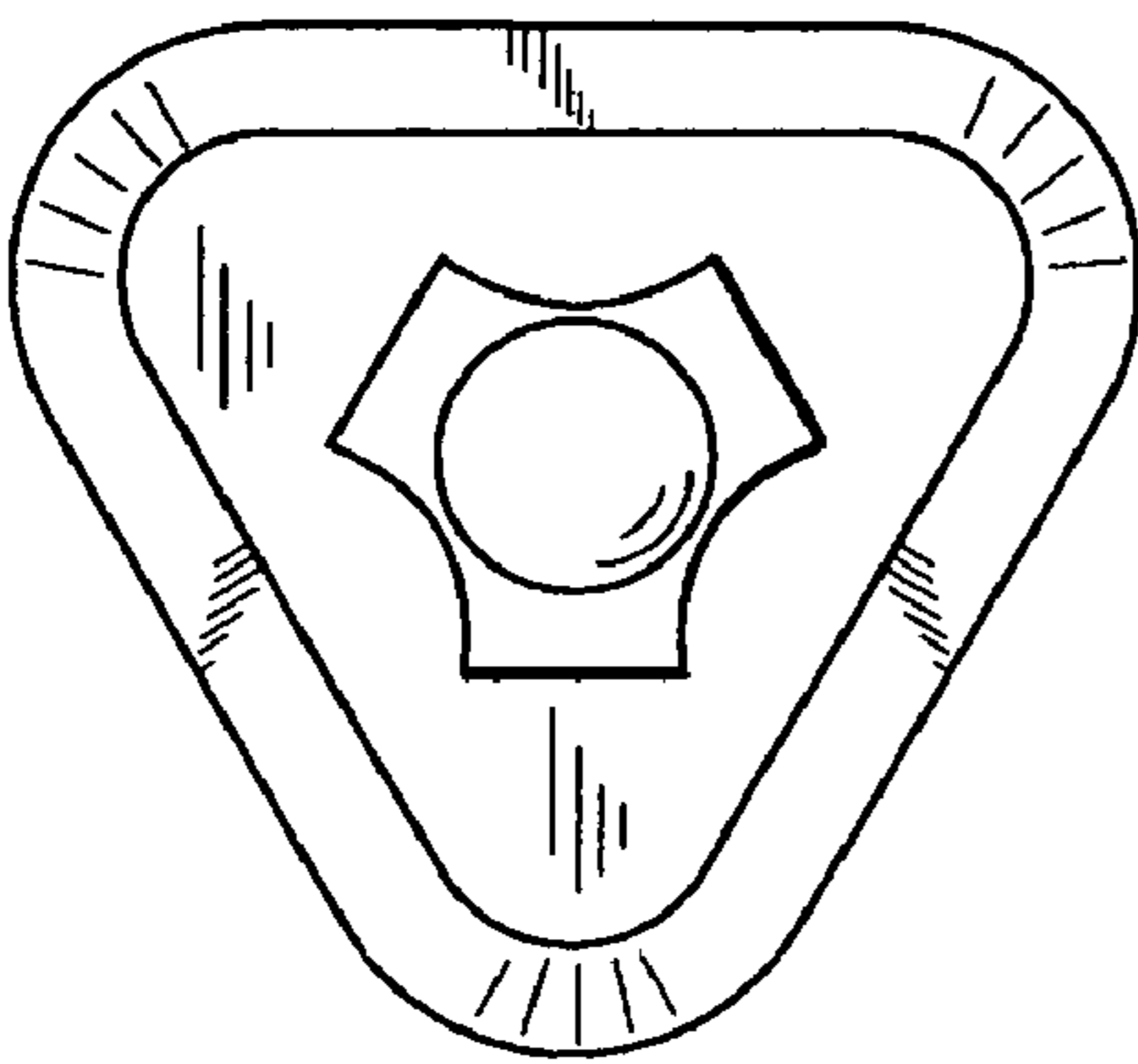


Fig. 3

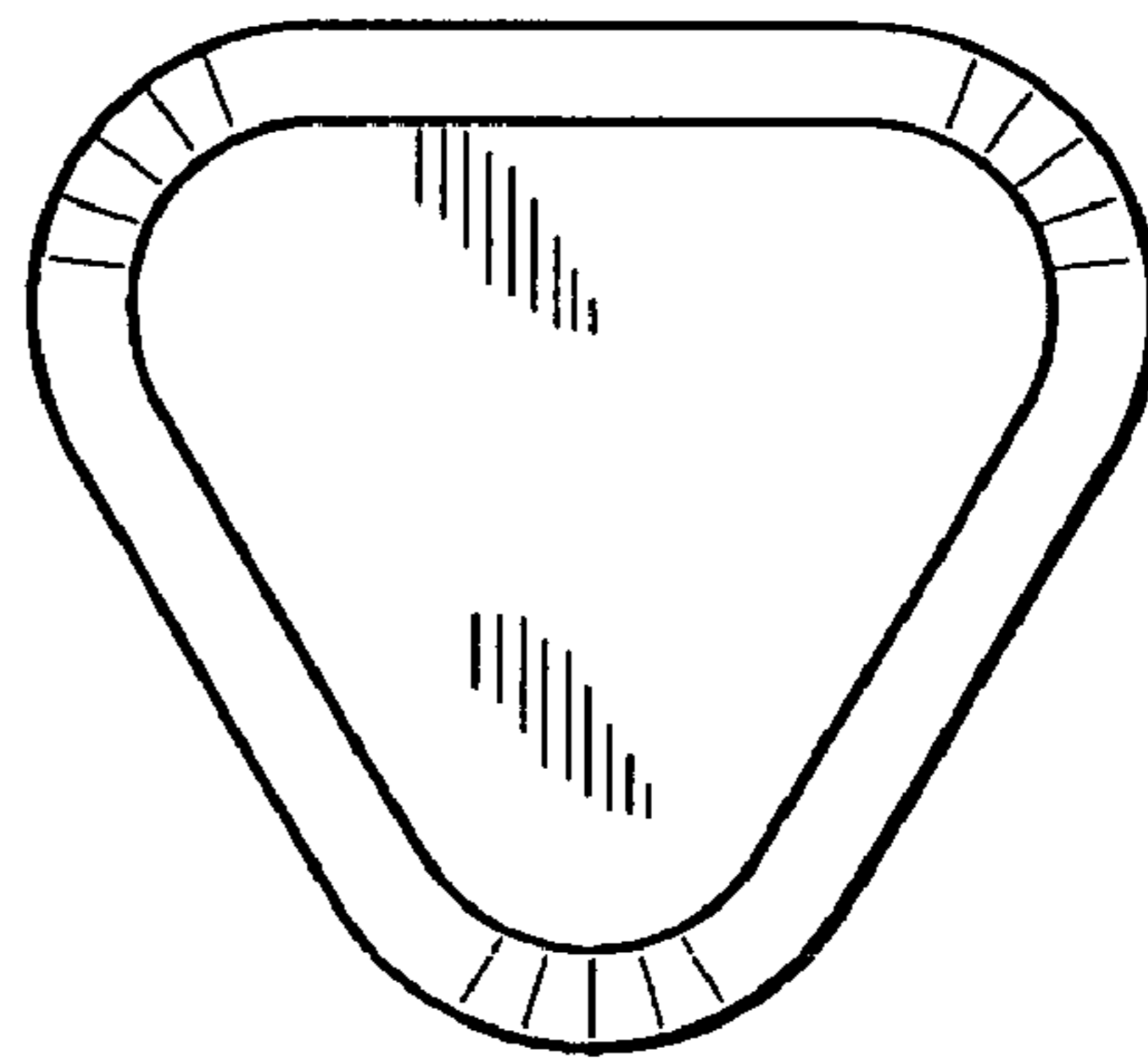


Fig. 4