

(19) World Intellectual Property Organization
International Bureau



(43) International Publication Date
2 February 2006 (02.02.2006)

PCT

(10) International Publication Number
WO 2006/010952 A3

(51) International Patent Classification:
G06F 11/14 (2006.01)

(21) International Application Number:
PCT/GB2005/003006

(22) International Filing Date: 29 July 2005 (29.07.2005)

(25) Filing Language: English

(26) Publication Language: English

(30) Priority Data:
0416943.9 29 July 2004 (29.07.2004) GB

(71) Applicant (for all designated States except US): **BIZ2MOBILE LIMITED** [GB/GB]; Unit 11J Park House, Milton Park, Abingdon, Oxfordshire OX14 4RS (GB).

(72) Inventors; and

(75) Inventors/Applicants (for US only): **THOMAS, Richard** [GB/GB]; Thornhill House, Goodings Lane, Woodlands-St-Mary RG17 7BD (GB). **FELL, Paul, Thomas** [GB/GB]; 1 Church Farm Cottages, The Street, Bramley RG26 5DD (GB). **REES, Ian, David** [GB/GB]; Tree Tops, 16 Mill Lane, East hendred, Oxfordshire OX12 8JS (GB). **ROWE, Michael** [GB/GB]; Flat 3, 77 South Street, Reading, Berkshire RG1 4RA (GB).

(74) Agent: **BUTLER, Michael, John**; Frank B. Dehn & Co., 179 Queen Victoria Street, London EC4V 4EL (GB).

(81) Designated States (unless otherwise indicated, for every kind of national protection available): AE, AG, AL, AM, AT, AU, AZ, BA, BB, BG, BR, BW, BY, BZ, CA, CH, CN, CO, CR, CU, CZ, DE, DK, DM, DZ, EC, EE, EG, ES, FI, GB, GD, GE, GH, GM, HR, HU, ID, IL, IN, IS, JP, KE, KG, KM, KP, KR, KZ, LC, LK, LR, LS, LT, LU, LV, MA, MD, MG, MK, MN, MW, MX, MZ, NA, NG, NI, NO, NZ, OM, PG, PH, PL, PT, RO, RU, SC, SD, SE, SG, SK, SL, SM, SY, TJ, TM, TN, TR, TT, TZ, UA, UG, US, UZ, VC, VN, YU, ZA, ZM, ZW.

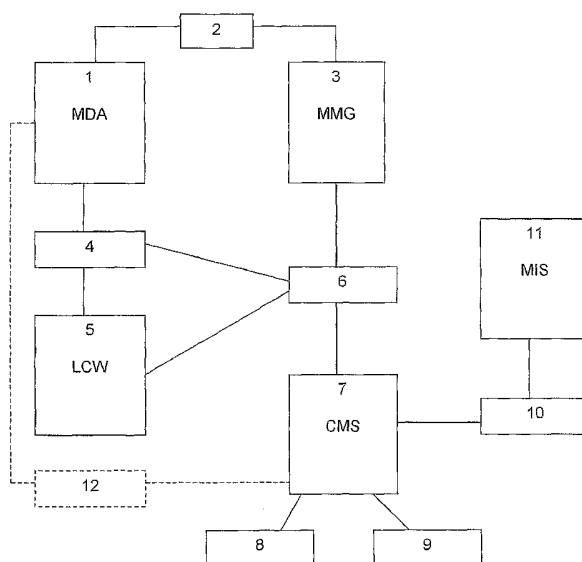
(84) Designated States (unless otherwise indicated, for every kind of regional protection available): ARIPO (BW, GH, GM, KE, LS, MW, MZ, NA, SD, SL, SZ, TZ, UG, ZM, ZW), Eurasian (AM, AZ, BY, KG, KZ, MD, RU, TJ, TM), European (AT, BE, BG, CH, CY, CZ, DE, DK, EE, ES, FI, FR, GB, GR, HU, IE, IS, IT, LT, LU, LV, MC, NL, PL, PT, RO, SE, SI, SK, TR), OAPI (BF, BJ, CF, CG, CI, CM, GA, GN, GQ, GW, ML, MR, NE, SN, TD, TG).

Published:

- with international search report
- before the expiration of the time limit for amending the claims and to be republished in the event of receipt of amendments

[Continued on next page]

(54) Title: RECOVERY SYSTEM FOR PORTABLE DATA PROCESSING APPARATUS



(57) Abstract: A system for the recovery of the software configuration of a mobile digital assistant (1). The profile of the digital assistant is stored on a database (9) of a management server (7). The apparatus carries recovery software. In the event of a failure, the digital assistant communicates with a configuration workstation (5), which identifies the digital assistant and supplies its identity to the management server (7). In accordance with the stored profile, the appropriate software or configuration settings are supplied to the digital assistant to effect recovery. If the digital assistant's profile cannot be identified, a management information server is used to determine the correct configuration for the type of digital assistant concerned.

WO 2006/010952 A3



(88) Date of publication of the international search report:

1 June 2006

For two-letter codes and other abbreviations, refer to the "Guidance Notes on Codes and Abbreviations" appearing at the beginning of each regular issue of the PCT Gazette.

INTERNATIONAL SEARCH REPORT

International application No

PCT/GB2005/003006

A. CLASSIFICATION OF SUBJECT MATTER
G06F11/14

According to International Patent Classification (IPC) or to both national classification and IPC

B. FIELDS SEARCHEDMinimum documentation searched (classification system followed by classification symbols)
G06F

Documentation searched other than minimum documentation to the extent that such documents are included in the fields searched

Electronic data base consulted during the international search (name of data base and, where practical, search terms used)

EPO-Internal, WPI Data, PAJ, INSPEC, COMPENDEX, IBM-TDB

C. DOCUMENTS CONSIDERED TO BE RELEVANT

Category*	Citation of document, with indication, where appropriate, of the relevant passages	Relevant to claim No.
X A	<p>WO 2004/001589 A (KONINKLIJKE PHILIPS ELECTRONICS N.V; WISHART, ANDREW, J., M; GIBBONS,) 31 December 2003 (2003-12-31)</p> <p>page 2, line 22 - page 3, line 3 page 3, line 17 - page 5, line 9 page 6, line 14 - line 23 page 7, line 8 - line 19 page 8, line 7 - line 14 page 8, line 29 - page 9, line 16 page 10, line 7 - page 11, line 3 page 12, line 3 - line 18 page 13, line 13 - line 21 figures 1,7</p> <p style="text-align: center;">----- -/--</p>	<p>1-5, 7-12, 14-17 6,13</p>

 Further documents are listed in the continuation of Box C. See patent family annex.

* Special categories of cited documents :

- "A" document defining the general state of the art which is not considered to be of particular relevance
- "E" earlier document but published on or after the international filing date
- "L" document which may throw doubts on priority claim(s) or which is cited to establish the publication date of another citation or other special reason (as specified)
- "O" document referring to an oral disclosure, use, exhibition or other means
- "P" document published prior to the international filing date but later than the priority date claimed

- "T" later document published after the international filing date or priority date and not in conflict with the application but cited to understand the principle or theory underlying the invention
- "X" document of particular relevance; the claimed invention cannot be considered novel or cannot be considered to involve an inventive step when the document is taken alone
- "Y" document of particular relevance; the claimed invention cannot be considered to involve an inventive step when the document is combined with one or more other such documents, such combination being obvious to a person skilled in the art.
- "&" document member of the same patent family

Date of the actual completion of the international search

24 March 2006

Date of mailing of the international search report

04/04/2006

Name and mailing address of the ISA/

European Patent Office, P.B. 5818 Patentlaan 2
NL - 2280 HV Rijswijk
Tel. (+31-70) 340-2040, Tx. 31 651 epo nl,
Fax: (+31-70) 340-3016

Authorized officer

Johansson, U

INTERNATIONAL SEARCH REPORT

International application No
PCT/GB2005/003006

C(Continuation). DOCUMENTS CONSIDERED TO BE RELEVANT

Category*	Citation of document, with indication, where appropriate, of the relevant passages	Relevant to claim No.
A	US 6 490 690 B1 (GUSLER CARL PHILLIP ET AL) 3 December 2002 (2002-12-03) figures 1,3,4,6 column 9, line 26 - column 110, line 60 column 11, line 38 - column 11, line 65 column 12, line 27 - column 14, line 11 -----	1-17

INTERNATIONAL SEARCH REPORT

International application No
PCT/GB2005/003006

Patent document cited in search report	Publication date	Patent family member(s)	Publication date
WO 2004001589	A	31-12-2003	AU 2003239314 A1 06-01-2004
			CN 1662882 A 31-08-2005
			EP 1518170 A2 30-03-2005
			JP 2005530264 T 06-10-2005
			US 2005223374 A1 06-10-2005
US 6490690	B1	03-12-2002	NONE