



US00D577233S

(12) **United States Design Patent**
Greiner

(10) **Patent No.:** **US D577,233 S**

(45) **Date of Patent:** **** Sep. 23, 2008**

(54) **VANITY ORGANIZER**

(75) Inventor: **Lori Greiner**, Chicago, IL (US)

(73) Assignee: **For Your Ease Only, Inc.**, Chicago, IL (US)

(**) Term: **14 Years**

(21) Appl. No.: **29/297,615**

(22) Filed: **Nov. 14, 2007**

(51) **LOC (8) Cl.** **06-04**

(52) **U.S. Cl.** **D6/511; D6/440; D6/444**

(58) **Field of Classification Search** D6/429,
D6/430, 432-448, 480, 509-511; 312/114,
312/204, 224, 227, 228, 237, 257.1, 293.1,
312/293.2; 108/151, 153.1, 155, 156, 157.1,
108/161; 248/188, 188.1, 188.8; D3/284,
D3/294, 295, 296, 304, 319, 903

See application file for complete search history.

(56) **References Cited**

U.S. PATENT DOCUMENTS

- 356,401 A * 1/1887 Dils 312/228
- 614,722 A * 11/1898 Isaacs 312/227
- 658,983 A * 10/1900 Francis 312/237
- 1,208,924 A * 12/1916 Deming 108/156
- 1,233,629 A * 7/1917 Wettergren 312/204
- 1,451,207 A * 4/1923 Draper 312/227
- 4,192,329 A 3/1980 Swearingen
- D302,217 S 7/1989 Keller
- D303,593 S 9/1989 Keller et al.
- D303,594 S 9/1989 Keller et al.
- D308,308 S 6/1990 Keller
- D308,921 S 7/1990 Keller
- D309,388 S 7/1990 Yau Kee
- D309,536 S 7/1990 Mo Yau Kee
- D311,832 S 11/1990 Keller
- D316,341 S 4/1991 Kee
- D319,547 S 9/1991 Kee
- D327,787 S 7/1992 Yau Kee
- D342,121 S * 12/1993 Lim D6/429
- D363,394 S * 10/1995 Mohundro D6/440

- D363,395 S * 10/1995 Mohundro D6/440
- 5,603,558 A * 2/1997 Zimmer 312/204
- D382,730 S * 8/1997 Hsu et al. D6/440
- 5,727,701 A 3/1998 Rhoades
- D416,711 S * 11/1999 Chou D6/444
- D416,712 S * 11/1999 Chou D6/444
- 6,003,963 A * 12/1999 Grender 312/204
- D443,042 S 5/2001 Ungaro

(Continued)

OTHER PUBLICATIONS

U.S. Appl. No. 29/263,540, filed Jul. 25, 2006, Title "Swivel Organizer", Inventor Lori Greiner.

U.S. Appl. No. 29/277,341, filed Feb. 22, 2007, Title "Swivel Organizer", Inventor Lori Greiner.

U.S. Appl. No. 29/281,878, filed Jul. 5, 2007, Title "Swivel Organizer", Inventor Lori Greiner.

(Continued)

Primary Examiner—Mimosa De
(74) *Attorney, Agent, or Firm*—Fredrikson & Byron, P.A.

(57) **CLAIM**

I claim the ornamental design for a vanity organizer, as shown and described.

DESCRIPTION

FIG. 1 is a perspective view of my new design for a vanity organizer;

FIG. 2 is a front elevation view thereof;

FIG. 3 is a rear elevation view thereof;

FIG. 4 is a right side elevation view;

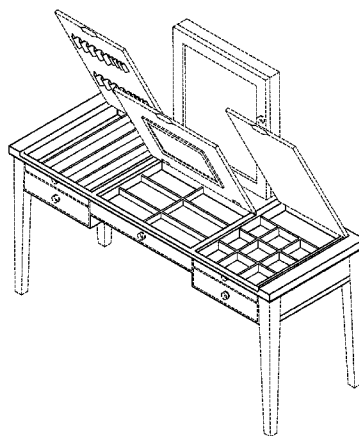
FIG. 5 is a left side elevation view thereof;

FIG. 6 is a top plan view thereof; and,

FIG. 7 is a bottom plan view thereof.

The broken lines shown in the drawing are for illustrative purposes only and form no part of the claimed design.

1 Claim, 5 Drawing Sheets



U.S. PATENT DOCUMENTS

D453,209	S	1/2002	Pila	
D453,818	S	2/2002	Pila	
D467,756	S *	12/2002	Mattick	D6/446
6,502,254	B1	1/2003	De Menna	
D498,082	S	11/2004	Katz et al.	
D532,626	S *	11/2006	McDiarmid et al.	D6/446
D557,517	S	12/2007	Greiner	
D557,518	S	12/2007	Greiner	
D557,930	S	12/2007	Greiner	
D557,939	S	12/2007	Greiner	
D558,482	S	1/2008	Greiner	
2005/0099101	A1	5/2005	Lowe	
2005/0285485	A1 *	12/2005	Heseman	312/204
2006/0124818	A1	6/2006	Wai	
2007/0145868	A1	6/2007	Greiner	

OTHER PUBLICATIONS

U.S. Appl. No. 29/281,880, filed Jul. 5, 2007, Title "Swivel Organizer", Inventor Lori Greiner.
 U.S. Appl. No. 29/295,087, filed Sep. 21, 2007, Title "Swivel Organizer", Inventor Lori Greiner.
 U.S. Appl. No. 29/295,095, filed Sep. 21, 2007, Title "Swivel Organizer", Inventor Lori Greiner.
 U.S. Appl. No. 29/295,097, filed Sep. 21, 2007, Title "Swivel Organizer", Inventor Lori Greiner.
 U.S. Appl. No. 29/295,098, filed Sep. 21, 2007, Title "Swivel Organizer", Inventor Lori Greiner.
 U.S. Appl. No. 29/297,618, filed Nov. 14, 2007, Title "Vanity Organizer", Inventor Lori Greiner.
 U.S. Appl. No. 29/295,101, filed Sep. 21, 2007, Title "Swivel Organizer", Inventor Lori Greiner.
 U.S. Appl. No. 29/295,104, filed Sep. 21, 2007, Title "Swivel Organizer", Inventor Lori Greiner.
 U.S. Appl. No. 29/295,106, filed Sep. 21, 2007, Title "Swivel Organizer", Inventor Lori Greiner.

U.S. Appl. No. 29/295,110, filed Sep. 21, 2007, Title "Swivel Organizer", Inventor Lori Greiner.
 U.S. Appl. No. 29/295,113, filed Sep. 21, 2007, Title "Swivel Organizer", Inventor Lori Greiner.
 U.S. Appl. No. 29/295,115, filed Sep. 21, 2007, Title "Swivel Organizer", Inventor Lori Greiner.
 U.S. Appl. No. 29/295,118, filed Sep. 21, 2007, Title "Swivel Organizer", Inventor Lori Greiner.
 U.S. Appl. No. 29/295,119, filed Sep. 21, 2007, Title "Swivel Organizer", Inventor Lori Greiner.
 U.S. Appl. No. 29/295,121, filed Sep. 21, 2007, Title "Swivel Organizer", Inventor Lori Greiner.
 U.S. Appl. No. 29/295,123, filed Sep. 21, 2007, Title "Swivel Organizer", Inventor Lori Greiner.
 U.S. Appl. No. 29/295,124, filed Sep. 21, 2007, Title "Swivel Organizer", Inventor Lori Greiner.
 U.S. Appl. No. 29/295,128, filed Sep. 21, 2007, Title "Swivel Organizer", Inventor Lori Greiner.
 U.S. Appl. No. 29/295,134, filed Sep. 21, 2007, Title "Swivel Organizer", Inventor Lori Greiner.
 U.S. Appl. No. 29/295,136, filed Sep. 21, 2007, Title "Swivel Organizer", Inventor Lori Greiner.
 U.S. Appl. No. 29/295,139, filed Sep. 21, 2007, Title "Swivel Organizer", Inventor Lori Greiner.
 U.S. Appl. No. 29/295,141, filed Sep. 21, 2007, Title "Swivel Organizer", Inventor Lori Greiner.
 U.S. Appl. No. 11/610,170, filed Dec. 13, 2006, Title "Tri-Fold Mirror Swivel Organizer", Inventor Lori Greiner.
 U.S. Appl. No. 11/768,979, filed Jun. 27, 2007, Title "Tri-Fold Mirror Organizer", Inventor Lori Greiner.
 U.S. Appl. No. 29/297,608, filed Nov. 14, 2007, Title "Vanity Organizer", Inventor Lori Greiner.
 U.S. Appl. No. 29/297,612, filed Nov. 14, 2007, Title "Vanity Organizer", Inventor Lori Greiner.
 U.S. Appl. No. 11/940,010, filed Nov. 14, 2007, Title "Vanity Organizer Table", Inventor Lori Greiner.

* cited by examiner

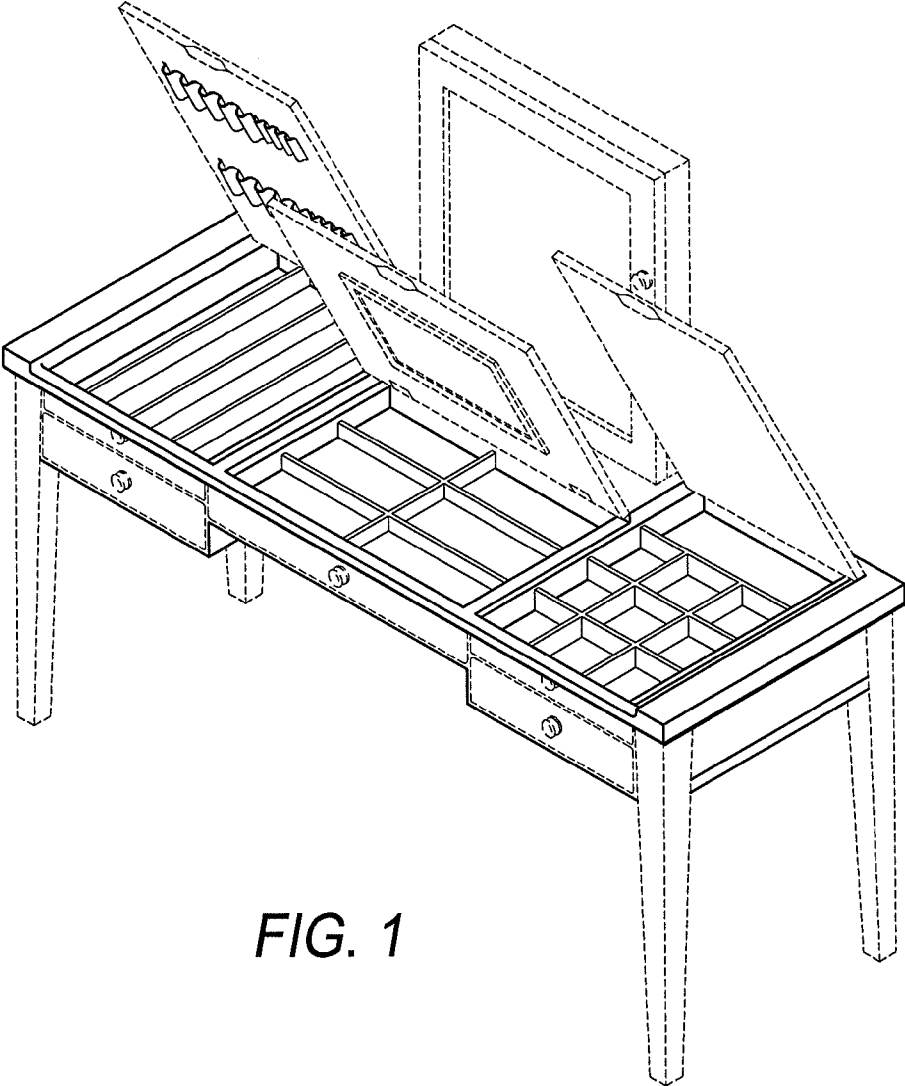


FIG. 1

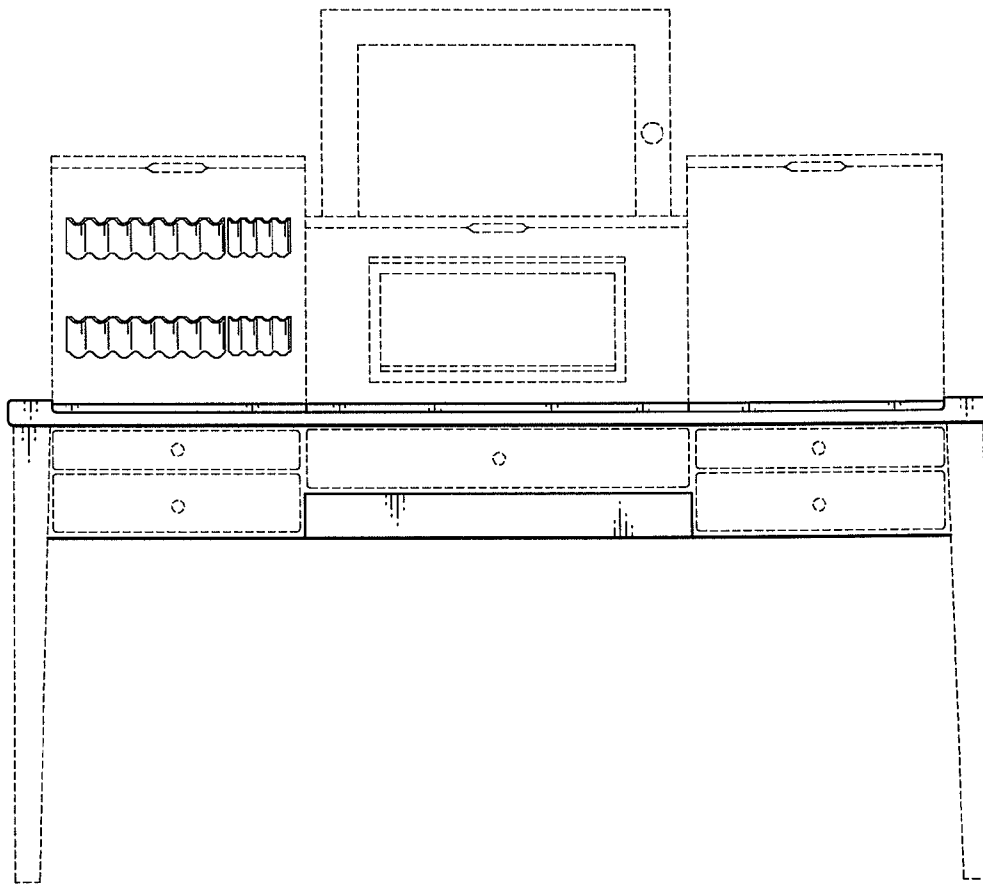


FIG. 2

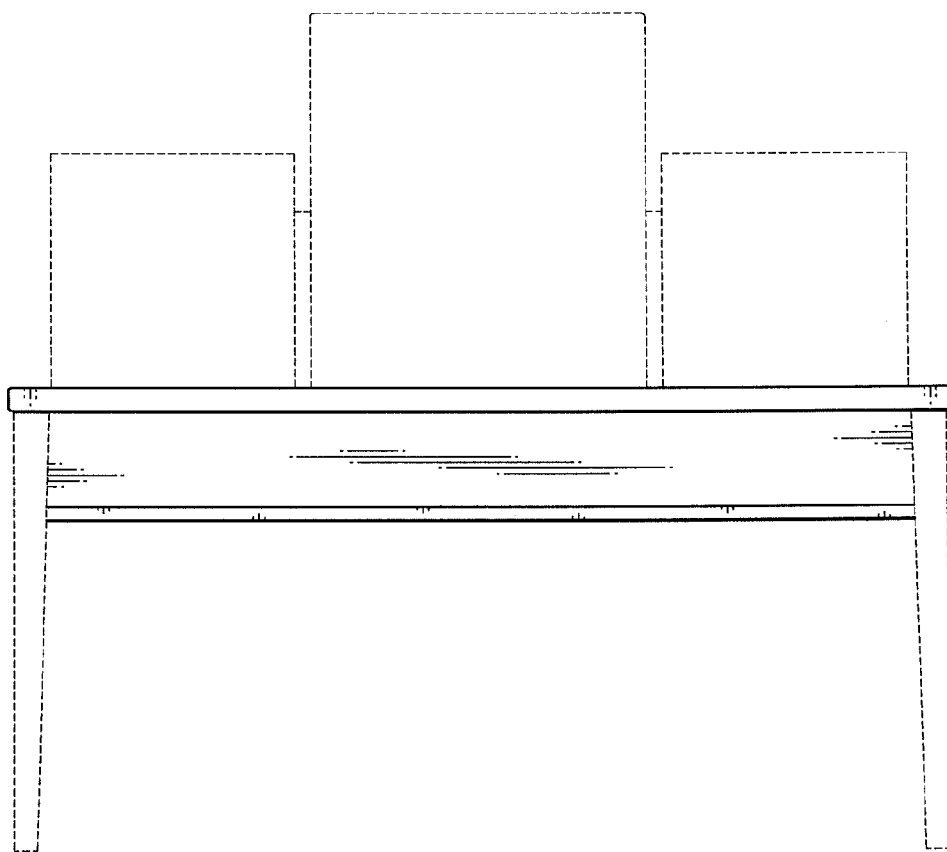


FIG. 3

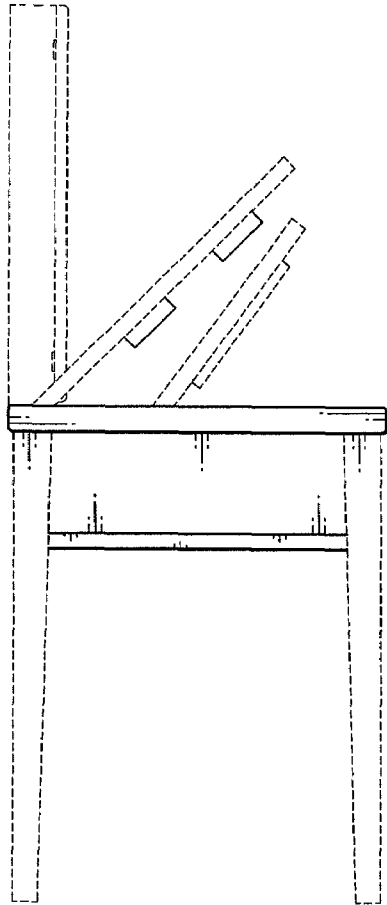


FIG. 4

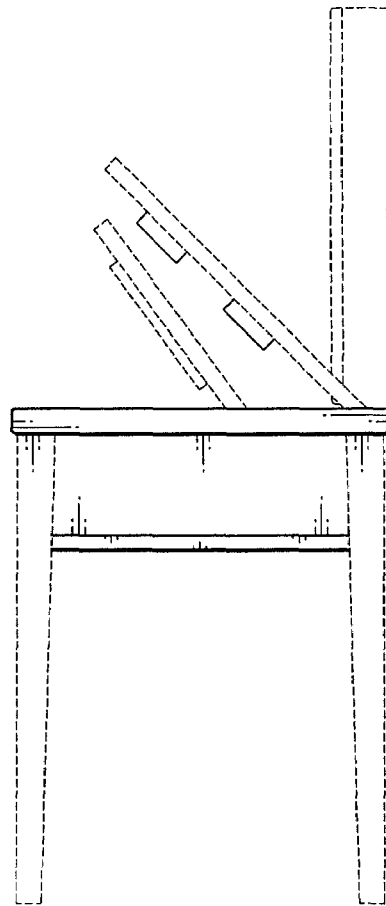


FIG. 5

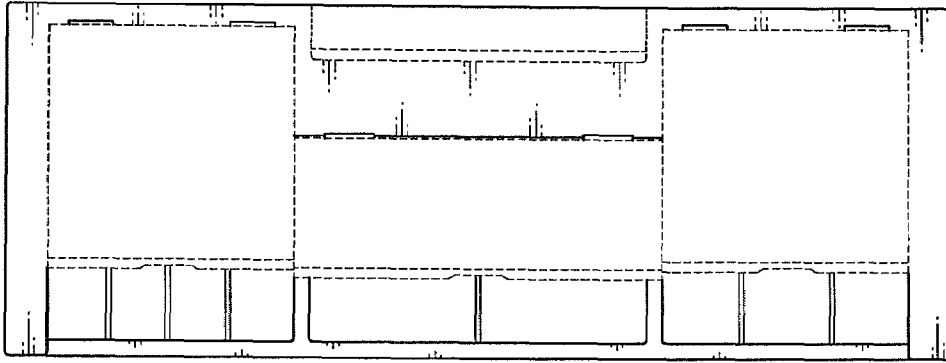


FIG. 6

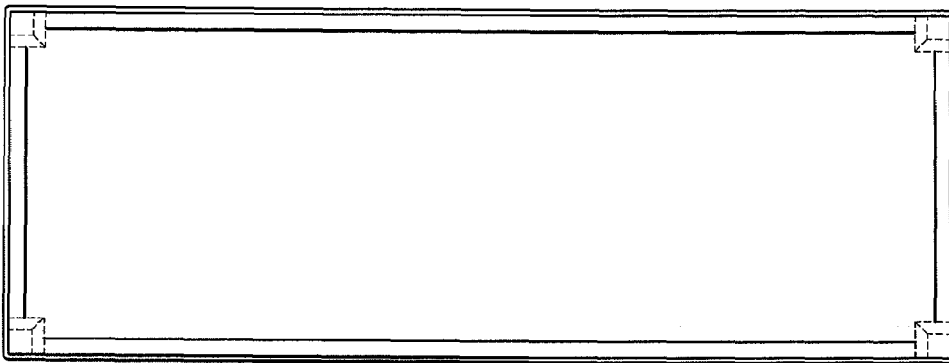


FIG. 7