



US00D482428S

(12) **United States Design Patent** (10) **Patent No.:** **US D482,428 S**
Fulwider (45) **Date of Patent:** **** Nov. 18, 2003**

(54) **HOSE NOZZLE** D403,407 S 12/1998 Hui-Chen
D413,962 S 9/1999 Hui-Chen
(75) Inventor: **Rodger Leroy Fulwider**, Springville, UT (US) D414,244 S 9/1999 Hui-Chen
D415,554 S 10/1999 Hui-Chen
D456,487 S 4/2002 Bonzer
D456,488 S 4/2002 Bonzer
(73) Assignee: **Orbit Irrigation Products, Inc.**, Bountiful, UT (US) D456,489 S 4/2002 Bonzer
D456,490 S 4/2002 Bonzer
(**) Term: **14 Years** D469,503 S * 1/2003 Liang D23/213
D471,954 S * 3/2003 Chen D23/213
D472,300 S * 3/2003 Chen D23/213

(21) Appl. No.: **29/173,294**

(22) Filed: **Dec. 26, 2002**

(51) **LOC (7) Cl.** **23-01**

(52) **U.S. Cl.** **D23/213**

(58) **Field of Search** D23/213; 239/459, 239/602

* cited by examiner

Primary Examiner—Robin V. Taylor

(74) *Attorney, Agent, or Firm*—Madson & Metcalf

(57) **CLAIM**

The ornamental design for a hose nozzle, as shown and described.

(56) **References Cited**

U.S. PATENT DOCUMENTS

- 3,102,691 A 9/1963 Gall
- 3,550,861 A 12/1970 Teson
- 4,614,303 A 9/1986 Moseley, Jr. et al.
- 4,789,104 A 12/1988 Anderson
- D308,411 S 6/1990 Allemann et al.
- D380,034 S 6/1997 Simonette
- D391,349 S 2/1998 Chih
- 5,795,053 A 8/1998 Pierce

DESCRIPTION

FIG. 1 is a perspective view of the hose nozzle.
FIG. 2 is a top plan view of the hose nozzle.
FIG. 3 is a side plan view of the hose nozzle.
FIG. 4 is a front plan view of the hose nozzle; and,
FIG. 5 is a rear plan view of the hose nozzle.

1 Claim, 2 Drawing Sheets

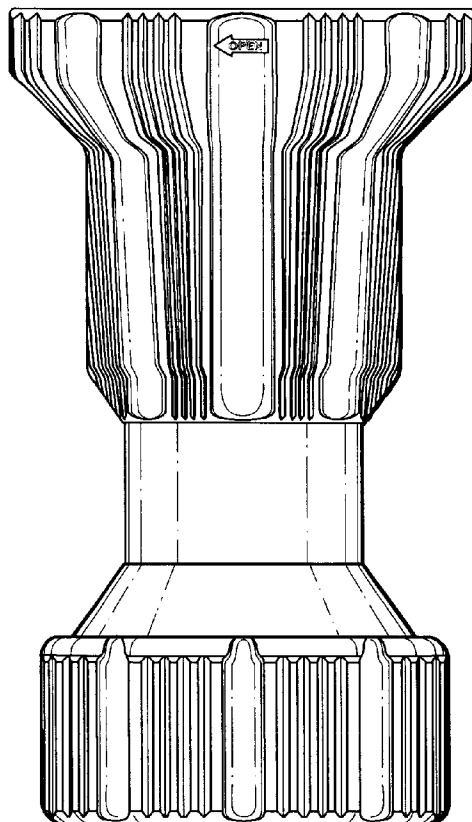


Fig. 2

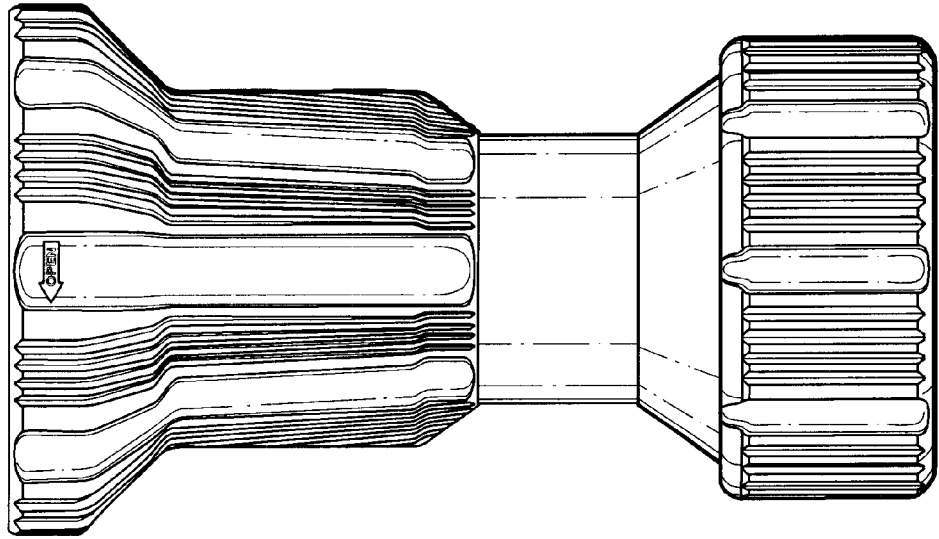
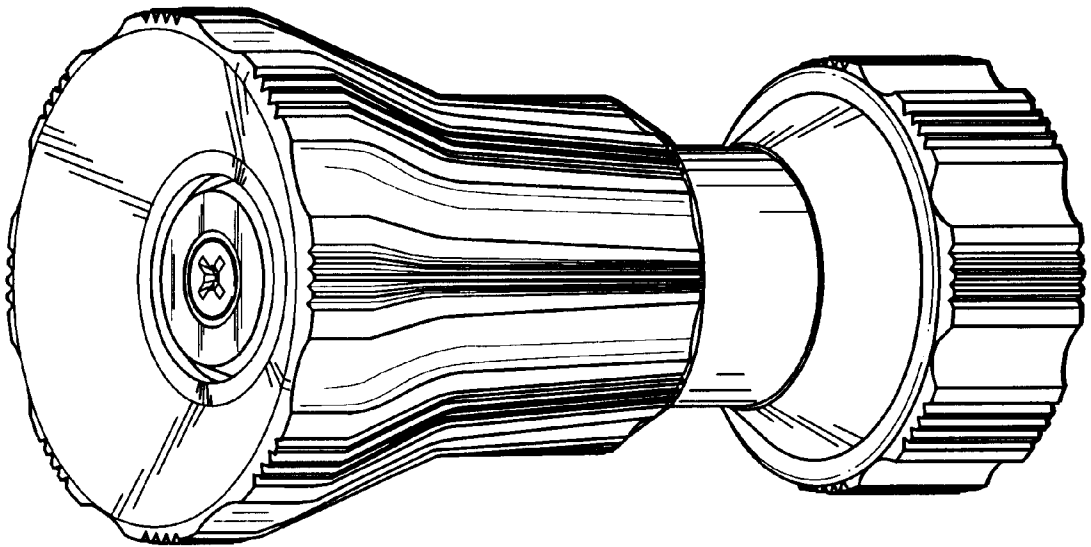


Fig. 1



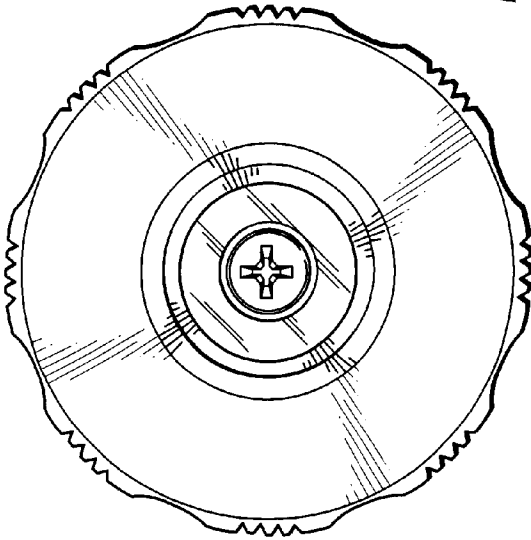


Fig. 4

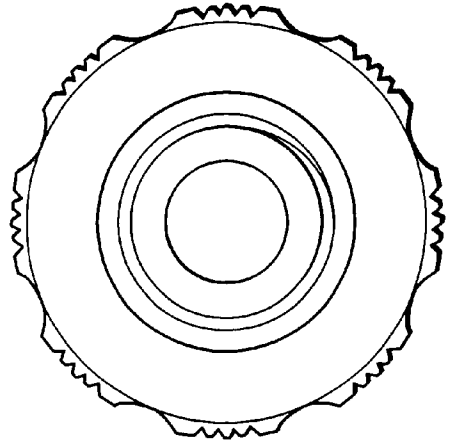


Fig. 5

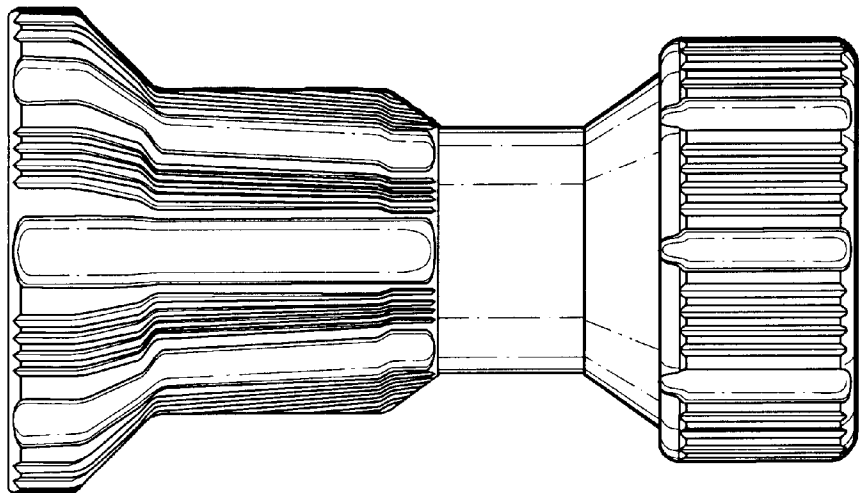


Fig. 3