

(19) World Intellectual Property Organization  
International Bureau



(43) International Publication Date  
6 April 2006 (06.04.2006)

PCT

(10) International Publication Number  
WO 2006/035211 A3

(51) International Patent Classification:

B65D 5/50 (2006.01) B31B 7/00 (2006.01)  
B65B 5/02 (2006.01) B31B 1/62 (2006.01)  
B65B 53/06 (2006.01)

AT, AU, AZ, BA, BB, BG, BR, BW, BY, BZ, CA, CH, CN, CO, CR, CU, CZ, DE, DK, DM, DZ, EC, EE, EG, ES, FI, GB, GD, GE, GH, GM, HR, HU, ID, IL, IN, IS, JP, KE, KG, KM, KP, KR, KZ, LC, LK, LR, LS, LT, LU, LV, LY, MA, MD, MG, MK, MN, MW, MX, MZ, NA, NG, NI, NO, NZ, OM, PG, PH, PL, PT, RO, RU, SC, SD, SE, SG, SK, SL, SM, SY, TJ, TM, TN, TR, TT, TZ, UA, UG, US, UZ, VC, VN, YU, ZA, ZM, ZW.

(21) International Application Number:

PCT/GB2005/003703

(22) International Filing Date:

27 September 2005 (27.09.2005)

(25) Filing Language:

English

(26) Publication Language:

English

(30) Priority Data:

0421388.0 27 September 2004 (27.09.2004) GB  
PCT/GB2004/004935  
22 November 2004 (22.11.2004) GB

(84) Designated States (unless otherwise indicated, for every kind of regional protection available): ARIPO (BW, GH, GM, KE, LS, MW, MZ, NA, SD, SL, SZ, TZ, UG, ZM, ZW), Eurasian (AM, AZ, BY, KG, KZ, MD, RU, TJ, TM), European (AT, BE, BG, CH, CY, CZ, DE, DK, EE, ES, FI, FR, GB, GR, HU, IE, IS, IT, LT, LU, LV, MC, NL, PL, PT, RO, SE, SI, SK, TR), OAPI (BF, BJ, CF, CG, CI, CM, GA, GN, GQ, GW, ML, MR, NE, SN, TD, TG).

(71) Applicant and

(72) Inventor: MOORE, Alistair, Fraser [GB/GB]; 64 Ingate, Beccles, Suffolk NR32 9RZ (GB).

(74) Agent: FLYNN, Michael, Joseph; Flynn-I.P., 10 Norton Road, Loddon, Norwich NR14 6JN (GB).

(81) Designated States (unless otherwise indicated, for every kind of national protection available): AE, AG, AL, AM,

Published:

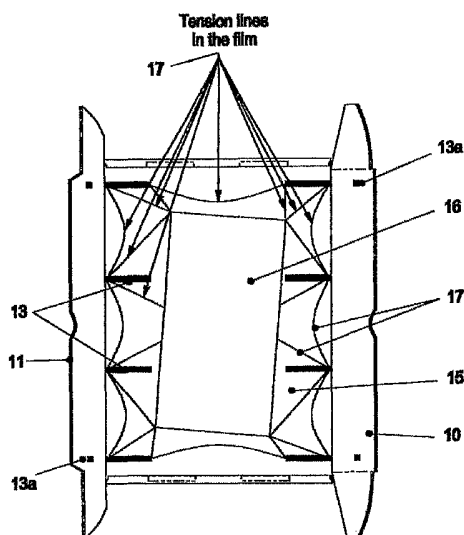
— with international search report

(88) Date of publication of the international search report:

23 November 2006

For two-letter codes and other abbreviations, refer to the "Guidance Notes on Codes and Abbreviations" appearing at the beginning of each regular issue of the PCT Gazette.

(54) Title: APPARATUS FOR AND METHOD OF FORMING CONTAINERS AND CONTAINER BLANK HAVING CONTENT RETAINING WEB ATTACHED THERETO



(57) Abstract: A container or container dank (100, 200, 300) comprises a pair of opposed side wall portions and an opposed front wall portion and rear wall portion, each wall portion being connected to a base portion at a fold line and at least one opposed pair of walls being provided with a lid section. At least one portion has a web of material (12, 230, 330) adapted to retain an article within a container formed from the blank (100, 200, 300). Apparatus for and methods of forming a container blank having a web attached thereto and apparatus for and methods of forming a container from a material web lined dank are disclosed with reference to the direction in which the improved tension characteristics of the web are applied. An apparatus and method for filing, closing and sealing an open-mouthed container is also disclosed.

WO 2006/035211 A3

# INTERNATIONAL SEARCH REPORT

International application No  
**PCT/GB2005/003703**

**A. CLASSIFICATION OF SUBJECT MATTER**  
 INV. B65D5/50 B65B5/02 B65B53/06 B31B7/00 B31B1/62

According to International Patent Classification (IPC) or to both national classification and IPC

**B. FIELDS SEARCHED**  
 Minimum documentation searched (classification system followed by classification symbols)  
**B65D B65B B31B**

Documentation searched other than minimum documentation to the extent that such documents are included in the fields searched

Electronic data base consulted during the international search (name of data base and, where practical, search terms used)  
**EPO-Internal**

**C. DOCUMENTS CONSIDERED TO BE RELEVANT**

Category*	Citation of document, with indication, where appropriate, of the relevant passages	Relevant to claim No.
X	FR 2 625 173 A (CARTON ONDULE STE CONTINENTALE) 30 June 1989 (1989-06-30) the whole document	1-12, 50-54
A	GB 2 343 885 A (ALISTAIR FRASER * MOORE) 24 May 2000 (2000-05-24) cited in the application abstract; figure 3	1-12
A	EP 1 348 635 A (SOCIETE ANONYME DITE SMURFIT-SOCAR) 1 October 2003 (2003-10-01) paragraph [0020]; figure 1	1-12
A	FR 2 703 656 A (SOCAR) 14 October 1994 (1994-10-14) abstract; figure 2	1-12
	----- -/--	

Further documents are listed in the continuation of Box C.       See patent family annex.

\* Special categories of cited documents :

*A* document defining the general state of the art which is not considered to be of particular relevance *E* earlier document but published on or after the international filing date *L* document which may throw doubts on priority claim(s) or which is cited to establish the publication date of another citation or other special reason (as specified) *O* document referring to an oral disclosure, use, exhibition or other means *P* document published prior to the international filing date but later than the priority date claimed	*T* later document published after the international filing date or priority date and not in conflict with the application but cited to understand the principle or theory underlying the invention *X* document of particular relevance; the claimed invention cannot be considered novel or cannot be considered to involve an inventive step when the document is taken alone *Y* document of particular relevance; the claimed invention cannot be considered to involve an inventive step when the document is combined with one or more other such documents, such combination being obvious to a person skilled in the art. *&* document member of the same patent family
---------------------------------------------------------------------------------------------------------------------------------------------------------------------------------------------------------------------------------------------------------------------------------------------------------------------------------------------------------------------------------------------------------------------------------------------------------------------------------------------------------------------------------------------------------------	-------------------------------------------------------------------------------------------------------------------------------------------------------------------------------------------------------------------------------------------------------------------------------------------------------------------------------------------------------------------------------------------------------------------------------------------------------------------------------------------------------------------------------------------------------------------------------------------------------------------------------------------------------------------------------------------

Date of the actual completion of the international search  <b>27 July 2006</b>	Date of mailing of the international search report  <b>07/08/2006</b>
--------------------------------------------------------------------------------------	-----------------------------------------------------------------------------

Name and mailing address of the ISA/ European Patent Office, P.B. 5818 Patentlaan 2 NL - 2280 HV Rijswijk Tel. (+31-70) 340-2040, Tx. 31 651 epo nl, Fax: (+31-70) 340-3016	Authorized officer   <b>Farizon, P</b>
-----------------------------------------------------------------------------------------------------------------------------------------------------------------------------------------	-------------------------------------------------

## INTERNATIONAL SEARCH REPORT

 International application No  
 PCT/GB2005/003703

C(Continuation). DOCUMENTS CONSIDERED TO BE RELEVANT		
Category*	Citation of document, with indication, where appropriate, of the relevant passages	Relevant to claim No.
X	US 6 672 035 B1 (SIMONSEN LARS ET AL) 6 January 2004 (2004-01-06) column 2, line 60 - column 3, line 60; figures 1-5	1-12
X	FR 2 506 722 A (CARTON ONDULE STE CONTINENTALE) 3 December 1982 (1982-12-03) page 6, line 19 - page 6, line 34; figure 9	1-12
X	US 6 066 080 A (BENOIT ET AL) 23 May 2000 (2000-05-23) column 3, line 30 - column 4, line 29; figures 2-9	13-31
X	EP 0 729 828 A (PUSSIKESKUS OY) 4 September 1996 (1996-09-04) column 4, line 23 - column 4, line 56; figure 2	13-31
X	US 2004/162207 A1 (RUF REINHOLD ET AL) 19 August 2004 (2004-08-19) paragraph [0018] - paragraph [0022]; figures 1-8	32-49
X	US 4 196 563 A (FENSKE, HARVEY J ET AL) 8 April 1980 (1980-04-08) column 4, line 37 - column 5, line 11; figures 8,9	50-54

# INTERNATIONAL SEARCH REPORT

International application No.  
PCT/GB2005/003703

## Box II Observations where certain claims were found unsearchable (Continuation of item 2 of first sheet)

This International Search Report has not been established in respect of certain claims under Article 17(2)(a) for the following reasons:

1.  Claims Nos.:  
because they relate to subject matter not required to be searched by this Authority, namely:
  
2.  Claims Nos.: 55-59  
because they relate to parts of the International Application that do not comply with the prescribed requirements to such an extent that no meaningful International Search can be carried out, specifically:  
see FURTHER INFORMATION sheet PCT/ISA/210
  
3.  Claims Nos.:  
because they are dependent claims and are not drafted in accordance with the second and third sentences of Rule 6.4(a).

## Box III Observations where unity of invention is lacking (Continuation of item 3 of first sheet)

This International Searching Authority found multiple inventions in this international application, as follows:

see additional sheet

1.  As all required additional search fees were timely paid by the applicant, this International Search Report covers all searchable claims.
  
2.  As all searchable claims could be searched without effort justifying an additional fee, this Authority did not invite payment of any additional fee.
  
3.  As only some of the required additional search fees were timely paid by the applicant, this International Search Report covers only those claims for which fees were paid, specifically claims Nos.:
  
4.  No required additional search fees were timely paid by the applicant. Consequently, this International Search Report is restricted to the invention first mentioned in the claims; it is covered by claims Nos.:

Remark on Protest

- The additional search fees were accompanied by the applicant's protest.
- No protest accompanied the payment of additional search fees.

## INTERNATIONAL SEARCH REPORT

International Application No. PCT/GB2005 /003703

FURTHER INFORMATION CONTINUED FROM PCT/ISA/ 210

Continuation of Box II.2

Claims Nos.: 55-59

Claims 55-59 do not comply with Rule 6.2 PCT.

The applicant's attention is drawn to the fact that claims relating to inventions in respect of which no international search report has been established need not be the subject of an international preliminary examination (Rule 66.1(e) PCT). The applicant is advised that the EPO policy when acting as an International Preliminary Examining Authority is normally not to carry out a preliminary examination on matter which has not been searched. This is the case irrespective of whether or not the claims are amended following receipt of the search report or during any Chapter II procedure. If the application proceeds into the regional phase before the EPO, the applicant is reminded that a search may be carried out during examination before the EPO (see EPO Guideline C-VI, 8.5), should the problems which led to the Article 17(2) declaration be overcome.

# INTERNATIONAL SEARCH REPORT

International Application No. PCT/GB2005 /003703

FURTHER INFORMATION CONTINUED FROM PCT/ISA/ 210

This International Searching Authority found multiple (groups of) inventions in this international application, as follows:

1. claims: 1-12

Container or container blank with a web material adhered thereto  
---

2. claims: 13-31

Apparatus and method for forming a container blank with cutting means  
---

3. claims: 32-49

Apparatus and method for forming a container from a container blank having preformed score lines  
---

4. claims: 50-54

Apparatus and method for feeding open-mouthed containers via a packing station to a filling sealing and closing station.  
---

# INTERNATIONAL SEARCH REPORT

Information on patent family members

International application No

PCT/GB2005/003703

Patent document cited in search report	A	Publication date	Patent family member(s)	Publication date
FR 2625173	A	30-06-1989	NONE	
GB 2343885	A	24-05-2000	NONE	
EP 1348635	A	01-10-2003	AT 296232 T DE 60300696 D1 DE 60300696 T2 ES 2240920 T3 FR 2837742 A1 PT 1348635 T	15-06-2005 30-06-2005 20-10-2005 16-10-2005 03-10-2003 31-08-2005
FR 2703656	A	14-10-1994	NONE	
US 6672035	B1	06-01-2004	AT 267738 T AU 1151100 A CN 1331646 A CZ 20011669 A3 DE 69917679 D1 DE 69917679 T2 WO 0029290 A1 EP 1156964 A1 HU 0104077 A2 JP 2002529334 T PL 348246 A1 TW 512115 B	15-06-2004 05-06-2000 16-01-2002 16-01-2002 01-07-2004 11-08-2005 25-05-2000 28-11-2001 28-02-2002 10-09-2002 20-05-2002 01-12-2002
FR 2506722	A	03-12-1982	NONE	
US 6066080	A	23-05-2000	EP 0893241 A1 FR 2765191 A1 JP 11070600 A	27-01-1999 31-12-1998 16-03-1999
EP 0729828	A	04-09-1996	AU 706883 B2 AU 4556696 A CN 1140144 A DE 69615237 D1 DE 69615237 T2 FI 950921 A JP 8244144 A US 5772569 A	01-07-1999 05-09-1996 15-01-1997 25-10-2001 18-04-2002 29-08-1996 24-09-1996 30-06-1998
US 2004162207	A1	19-08-2004	DE 10244103 A1 EP 1400453 A1 JP 2004114681 A	01-04-2004 24-03-2004 15-04-2004
US 4196563	A	08-04-1980	CA 1111336 A1	27-10-1981