

United States Patent [19]

Nakayama et al.

[11] Patent Number: **Des. 314,969**

[45] Date of Patent: **** Feb. 26, 1991**

[54] **DRUM SPUR HOLDER**

[75] Inventors: **Masamichi Nakayama, Nagoya;**
Yoshiki Hoshino, Owariasahi, both of
Japan

[73] Assignee: **Hoshino Gakki Co., Ltd., Japan**

[**] Term: **14 Years**

[21] Appl. No.: **11,229**

[22] Filed: **Feb. 5, 1987**

[52] U.S. Cl. **D17/22**

[58] Field of Search **D17/22, 99; D8/354;**
84/421; 248/231.5, 231.6, 316.5, 316.6

[56] **References Cited**

U.S. PATENT DOCUMENTS

D. 205,474 8/1966 Farnlund D17/22
3,405,588 10/1968 Della-Porta 84/421
3,576,149 4/1971 Slingerland, Jr. 84/421

4,185,808 1/1980 Donohoe et al. 84/421
4,596,176 6/1986 Gauger 84/421

FOREIGN PATENT DOCUMENTS

3339397 5/1985 Fed. Rep. of Germany 84/421

Primary Examiner—Bernard Ansher

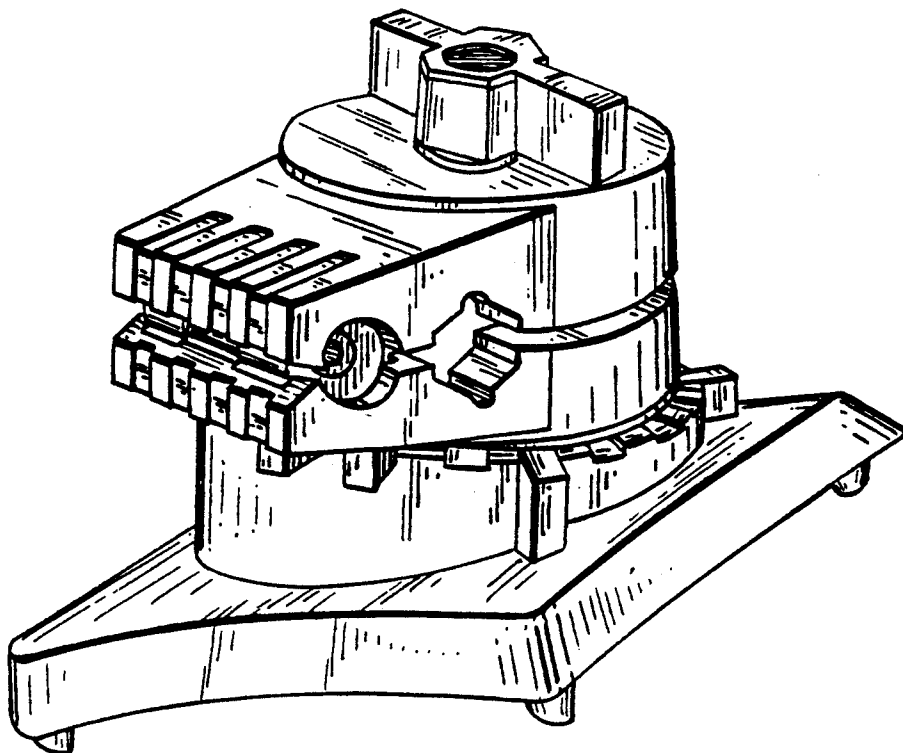
Assistant Examiner—Adir Aronovich

[57] **CLAIM**

The ornamental design for drum spur holder, as shown and described.

DESCRIPTION

FIG. 1 is a perspective view of a drum spur holder showing my new design;
FIG. 2 is a front elevational view thereof;
FIG. 3 is a bottom plan view thereof;
FIG. 4 is a top plan view thereof;
FIG. 5 is a rear elevational view thereof;
FIG. 6 is a left side elevational view thereof; and
FIG. 7 is a right side elevational view thereof.



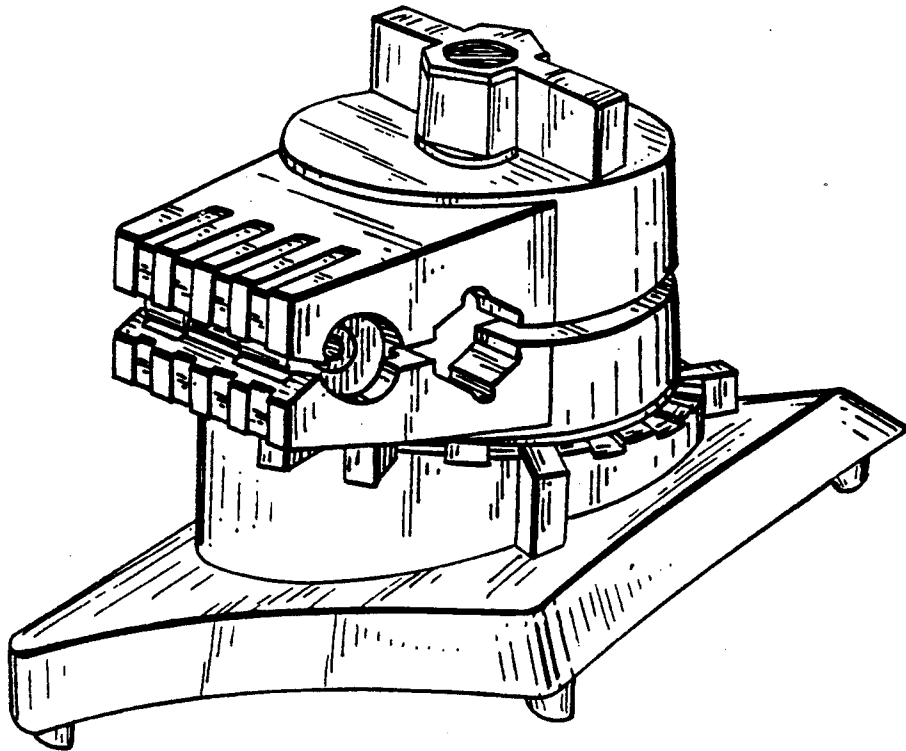


FIG. 1.

FIG. 2.

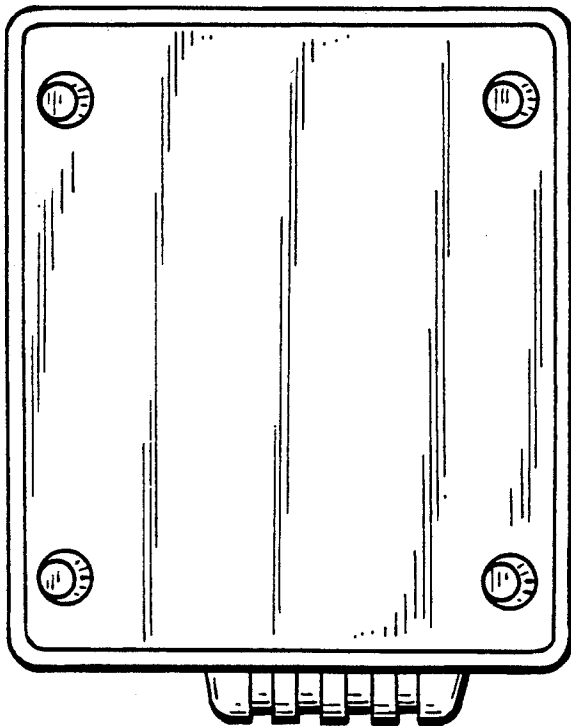
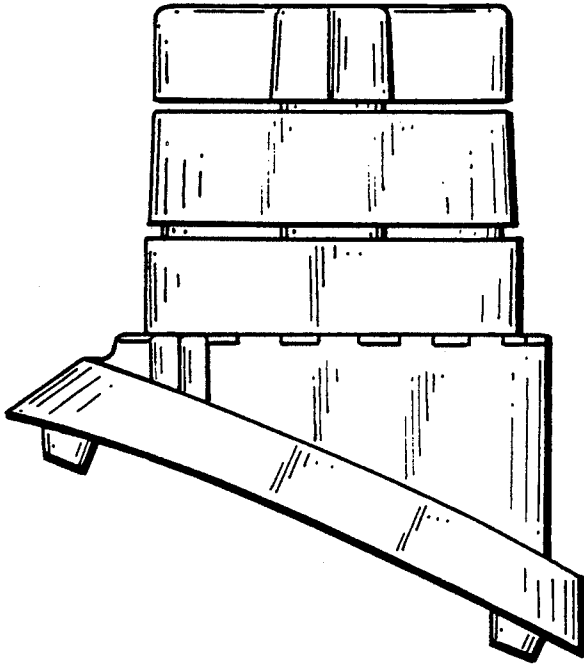


FIG. 3.

FIG. 4.

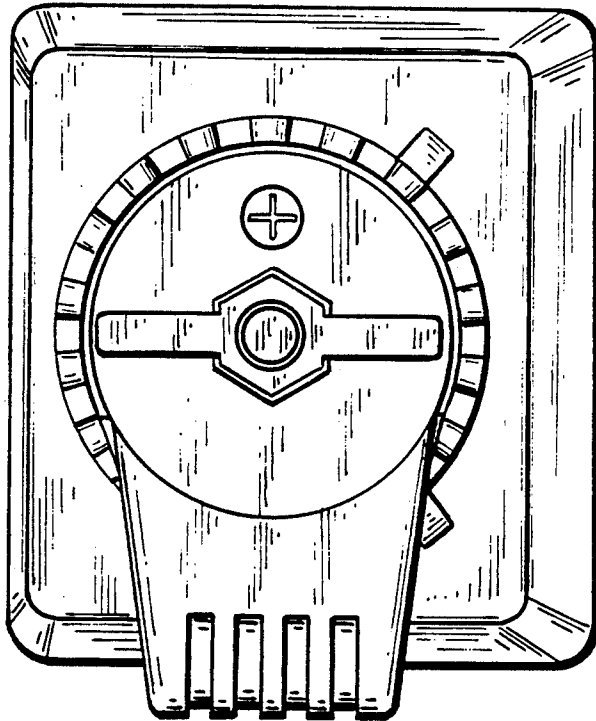


FIG. 5.

FIG. 6.

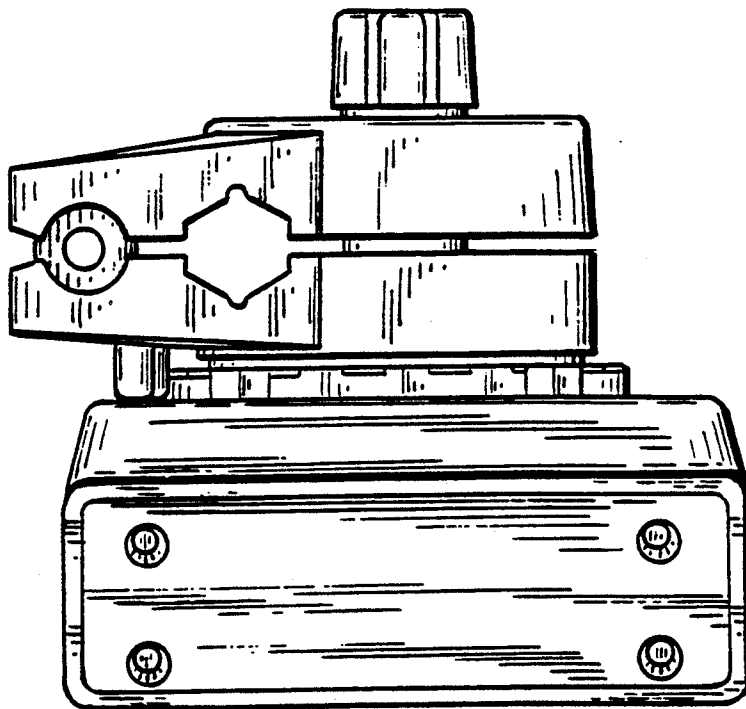


FIG. 7.

