

(19) World Intellectual Property Organization
International Bureau



(43) International Publication Date
11 January 2007 (11.01.2007)

PCT

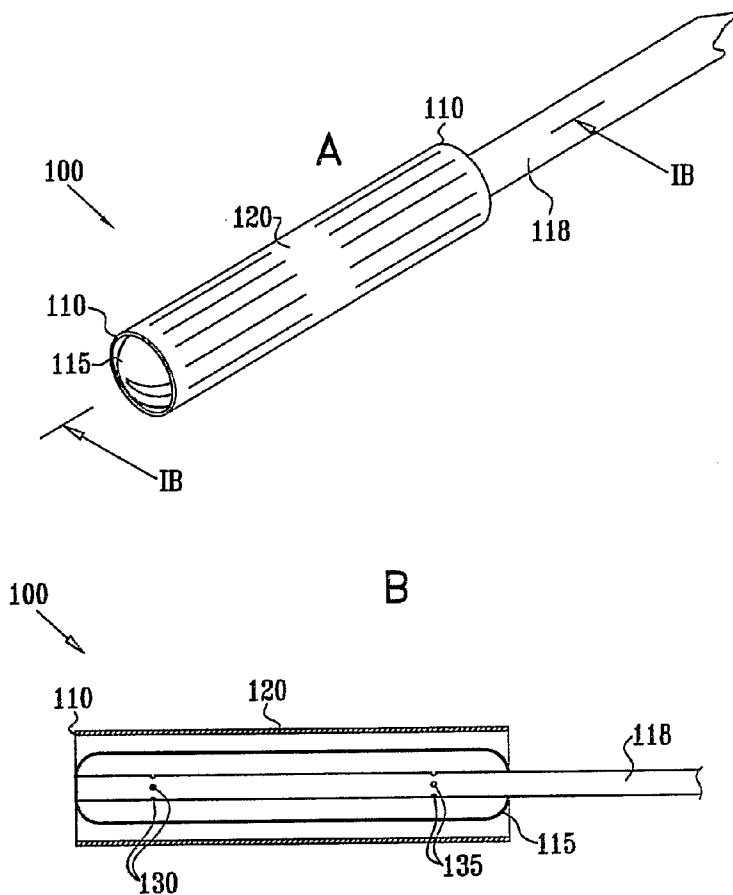
(10) International Publication Number
WO 2007/004215 A3

- (51) International Patent Classification:
A61F 2/06 (2006.01)
- (21) International Application Number:
PCT/IL2006/000761
- (22) International Filing Date: 29 June 2006 (29.06.2006)
- (25) Filing Language: English
- (26) Publication Language: English
- (30) Priority Data:
60/696,857 5 July 2005 (05.07.2005) US
- (71) Applicant (for all designated States except US): NEO-VASC MEDICAL LTD. [IL/IL]; 6 Yoni Netanyahu Street, 60376 Or Yehuda (IL).
- (72) Inventor; and
- (75) Inventor/Applicant (for US only): BEN-MUVHAR, Shmuel [IL/IL]; Kibbutz Tirat Zvi, 10815 (IL).
- (74) Agents: SANFORD T. COLB & CO. et al.; P.O. Box 2273, 76122 Rehovot (IL).

- (81) Designated States (unless otherwise indicated, for every kind of national protection available): AE, AG, AL, AM, AT, AU, AZ, BA, BB, BG, BR, BW, BY, BZ, CA, CH, CN, CO, CR, CU, CZ, DE, DK, DM, DZ, EC, EE, EG, ES, FI, GB, GD, GE, GH, GM, HN, HR, HU, ID, IL, IN, IS, JP, KE, KG, KM, KN, KP, KR, KZ, LA, LC, LK, LR, LS, LT, LU, LV, LY, MA, MD, MG, MK, MN, MW, MX, MZ, NA, NG, NI, NO, NZ, OM, PG, PH, PL, PT, RO, RS, RU, SC, SD, SE, SG, SK, SL, SM, SY, TJ, TM, TN, TR, TT, TZ, UA, UG, US, UZ, VC, VN, ZA, ZM, ZW.
 - (84) Designated States (unless otherwise indicated, for every kind of regional protection available): ARIPO (BW, GH, GM, KE, LS, MW, MZ, NA, SD, SL, SZ, TZ, UG, ZM, ZW), Eurasian (AM, AZ, BY, KG, KZ, MD, RU, TJ, TM), European (AT, BE, BG, CH, CY, CZ, DE, DK, EE, ES, FI, FR, GB, GR, HU, IE, IS, IT, LT, LU, LV, MC, NL, PL, PT, RO, SE, SI, SK, TR), OAPI (BF, BJ, CF, CG, CI, CM, GA, GN, GQ, GW, ML, MR, NE, SN, TD, TG).
- Published:
— with international search report

[Continued on next page]

(54) Title: BALLOON INFLATION DEVICE



(57) Abstract: Apparatus for treatment of a body passage includes an expandable implant (100), including first and second expandable sections (110) and a central section (120) between the expandable sections. A balloon (115) is contained within the expandable implant. An inflation tube (118) is coupled to inflate the balloon via at least first and second inflation ports (130, 135), which are respectively disposed within the first and second expandable sections of the implant, such that pressurization of the balloon via the inflation tube causes the first and second expandable sections of the implant to expand to a greater diameter than the central section.

WO 2007/004215 A3



(88) Date of publication of the international search report:

10 May 2007

For two-letter codes and other abbreviations, refer to the "Guidance Notes on Codes and Abbreviations" appearing at the beginning of each regular issue of the PCT Gazette.

INTERNATIONAL SEARCH REPORT

International application No.

PCT/IL06/00761

A. CLASSIFICATION OF SUBJECT MATTER
 IPC: **A61F 2/06(2007.01)**

USPC: 623/1.15
 According to International Patent Classification (IPC) or to both national classification and IPC

B. FIELDS SEARCHED

Minimum documentation searched (classification system followed by classification symbols)
 U.S. : 623/1.15

Documentation searched other than minimum documentation to the extent that such documents are included in the fields searched

Electronic data base consulted during the international search (name of data base and, where practicable, search terms used)

C. DOCUMENTS CONSIDERED TO BE RELEVANT

Category *	Citation of document, with indication, where appropriate, of the relevant passages	Relevant to claim No.
X --- A	US 2004/0236412 A1 (BRAR et al) 25 November 2004 (25.11.2004), see whole document, Figs. 3A, 7-9, 10B, 10C.	1-4,7-12,15,16 ----- 5,6,13,14
X --- A	US 5618301 A (HAUENSTEIN et al) 08 April 1997 (08.04.1997), see whole document.	1-3 ----- 4-16

Further documents are listed in the continuation of Box C. See patent family annex.

* Special categories of cited documents:	"T" later document published after the international filing date or priority date and not in conflict with the application but cited to understand the principle or theory underlying the invention
"A" document defining the general state of the art which is not considered to be of particular relevance	"X" document of particular relevance; the claimed invention cannot be considered novel or cannot be considered to involve an inventive step when the document is taken alone
"E" earlier application or patent published on or after the international filing date	"Y" document of particular relevance; the claimed invention cannot be considered to involve an inventive step when the document is combined with one or more other such documents, such combination being obvious to a person skilled in the art
"L" document which may throw doubts on priority claim(s) or which is cited to establish the publication date of another citation or other special reason (as specified)	"&" document member of the same patent family
"O" document referring to an oral disclosure, use, exhibition or other means	
"P" document published prior to the international filing date but later than the priority date claimed	

Date of the actual completion of the international search 14 November 2006 (14.11.2006)	Date of mailing of the international search report 29 JAN 2007
--	--

Name and mailing address of the ISA/US Mail Stop PCT, Attn: ISA/US Commissioner for Patents P.O. Box 1450 Alexandria, Virginia 22313-1450 Facsimile No. (571) 273-3201	Authorized officer Nicholas Lucchesi <i>Sharon D. Greene for</i> Telephone No. 1-571-272-3700
---	---