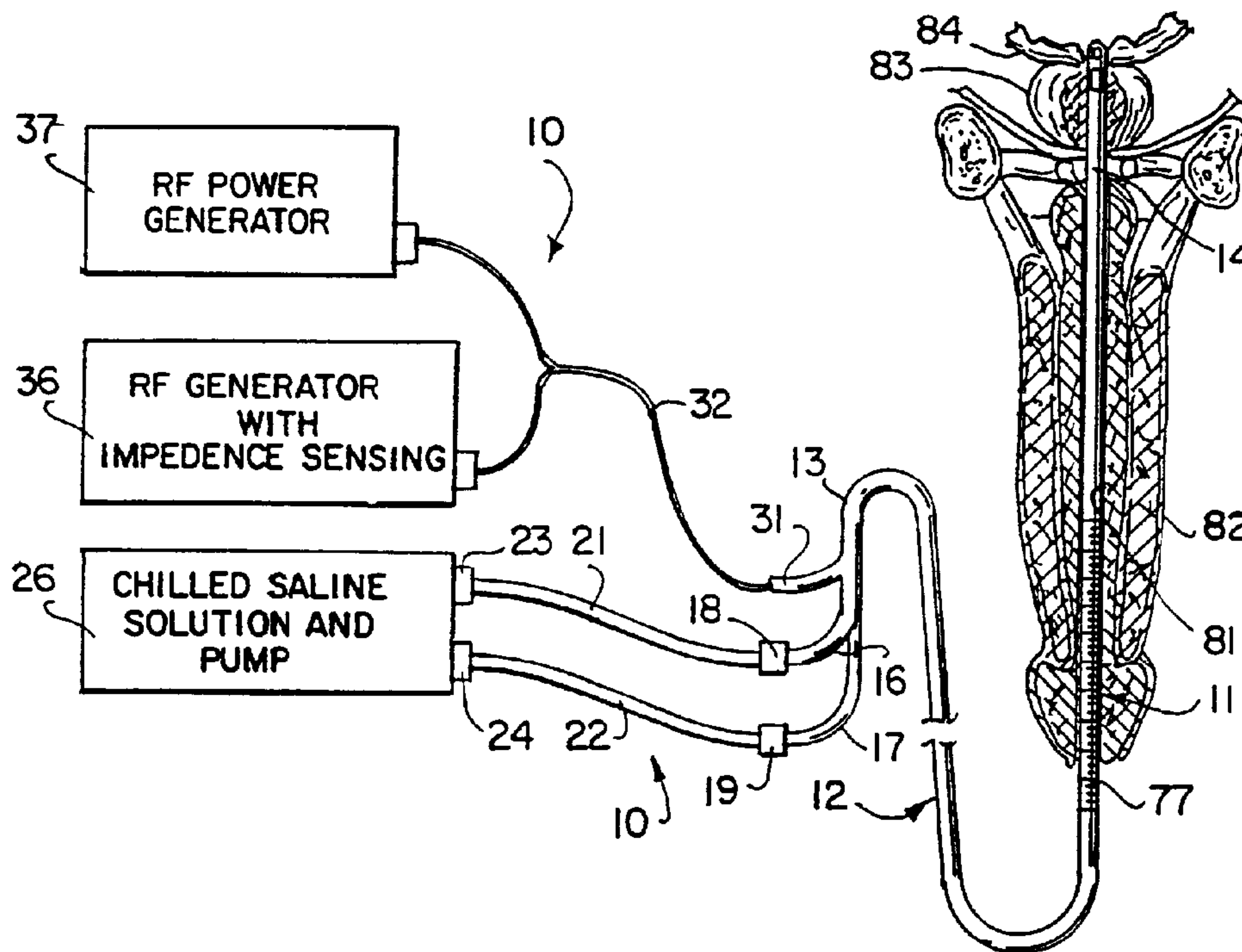




(86) Date de dépôt PCT/PCT Filing Date: 1994/05/31  
 (87) Date publication PCT/PCT Publication Date: 1994/12/22  
 (45) Date de délivrance/Issue Date: 2005/09/06  
 (85) Entrée phase nationale/National Entry: 1995/12/08  
 (86) N° demande PCT/PCT Application No.: US 1994/006124  
 (87) N° publication PCT/PCT Publication No.: 1994/028809  
 (30) Priorité/Priority: 1993/06/10 (08/074,918) US

(51) Cl.Int.<sup>6</sup>/Int.Cl.<sup>6</sup> A61B 17/36  
 (72) Inventeur/Inventor:  
IMRAN, MIR A., US  
 (73) Propriétaire/Owner:  
IMRAN, MIR A., US  
 (74) Agent: SMART & BIGGAR

(54) Titre : APPAREIL DE PROSTATECTOMIE TRANSURETRALE, UTILISANT UNE FREQUENCE RADIO  
 (54) Title: TRANSURETHRAL RADIO FREQUENCY ABLATION APPARATUS



(57) **Abrégé/Abstract:**

This invention is a transurethral radio frequency apparatus (12) for ablation of the prostate gland through the urethra formed by a urethral wall, a probe (14) consisting of a flexible elongate tubular member (10) having proximal and distal extremities and a cylindrical sleeve ablation electrode (76) formed of a conductive material carried by the distal extremity of the flexible elongate tubular member (10) and having a bore therein. The flexible elongate tubular member (10) is provided with a first flow lumen (41) for delivering a cooled fluid to the bore of the ablation electrode (76) and a second flow lumen (48) for returning the cooled fluid. Means are connected to the probe for supplying a coolant solution (26) to the probe, to supply radio frequency energy (37) to the electrode (76) while it is being cooled and to monitor the temperature (36) of the ablation electrode (76) so that the ablation electrode (76) is maintained at a temperature below a predetermined temperature.

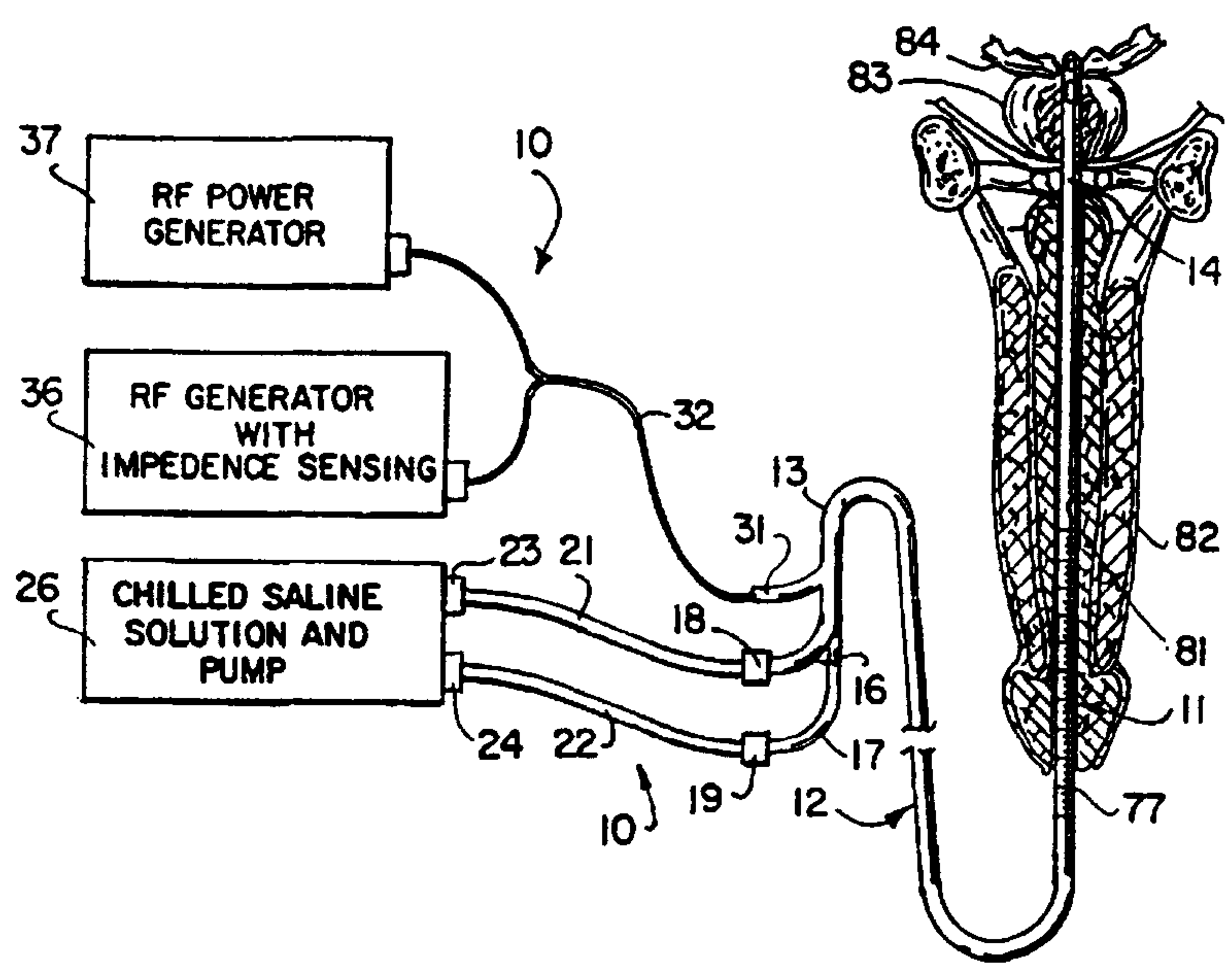


INTERNATIONAL APPLICATION PUBLISHED UNDER THE PATENT COOPERATION TREATY (PCT)

(51) International Patent Classification <sup>5</sup> : <b>A61B 17/36</b>	<b>A1</b>	(11) International Publication Number: <b>WO 94/28809</b> (43) International Publication Date: 22 December 1994 (22.12.94)
--	-----------	---

<p>(21) International Application Number: PCT/US94/06124</p> <p>(22) International Filing Date: 31 May 1994 (31.05.94)</p> <p>(30) Priority Data: 08/074,918 10 June 1993 (10.06.93) US</p> <p>(71)(72) Applicant and Inventor: IMRAN, Mir, A. [IN/US]; 731 Barron Drive, Palo Alto, CA 94306 (US).</p> <p>(74) Agents: HOHBACH, Harold, C. et al.; Flehr, Hohbach, Test, Albritton &amp; Herbert, Suite 3400, 4 Embarcadero Center, San Francisco, CA 94111-4187 (US).</p>	<p>(81) Designated States: AU, CA, JP, European patent (AT, BE, CH, DE, DK, ES, FR, GB, GR, IE, IT, LU, MC, NL, PT, SE).</p> <p><b>Published</b> With international search report.</p> <p style="text-align: center; font-size: 2em;">2164860</p>
---	---

(54) Title: TRANSURETHRAL RADIO FREQUENCY ABLATION APPARATUS



(57) Abstract

This invention is a transurethral radio frequency apparatus (12) for ablation of the prostate gland through the urethra formed by a urethral wall, a probe (14) consisting of a flexible elongate tubular member (10) having proximal and distal extremities and a cylindrical sleeve ablation electrode (76) formed of a conductive material carried by the distal extremity of the flexible elongate tubular member (10) and having a bore therein. The flexible elongate tubular member (10) is provided with a first flow lumen (41) for delivering a cooled fluid to the bore of the ablation electrode (76) and a second flow lumen (48) for returning the cooled fluid. Means are connected to the probe for supplying a coolant solution (26) to the probe, to supply radio frequency energy (37) to the electrode (76) while it is being cooled and to monitor the temperature (36) of the ablation electrode (76) so that the ablation electrode (76) is maintained at a temperature below a predetermined temperature.

\* (Referred to in PCT Gazette No. 10/1995, Section II)

2164860

-1-

### Transurethral Radio Frequency Ablation Apparatus

This invention relates to a transurethral radio frequency apparatus for ablation of the prostate gland and method.

Heretofore apparatus and methods have been provided  
5 which have been utilized for ablating or destroying tissue in the prostate gland to overcome certain effects of an enlarged prostate gland typically called benign prostatic hypertrophy. Such apparatus and methods have utilized catheters for performing microwave and radio frequency  
10 ablation. However, such procedures have typically used a resection of the urethra or have caused a penetration of the urethral wall or damage to the urethral wall at the time that the ablation of the prostatic gland is taking place. Such techniques have often required utilization of  
15 an ultrasound viewing instrument to visualize the location of the prostate gland and to aid in locating the distal extremity of the catheter in the prostate gland. There is therefore a need for a new and improved apparatus and method which overcomes these disadvantages.

20 In general, it is an object of the present invention to provide a transurethral radio frequency apparatus for ablation of the prostate gland and method.



Another object of the invention is to provide an apparatus and method of the above character and in which ablation can be carried without destroying the urethral wall.

5 Another object of the invention is to provide an apparatus and method which dispenses with the need for ultrasonic viewing.

Another object of the invention is to provide an apparatus and method of the above character in which an  
10 ablation electrode is carried by the distal extremity of a catheter disposed in the urethra.

Another object of the invention is to provide an apparatus and method of the above character in which  
15 temperature sensing means is provided for sensing the temperature of the ablation electrode.

Another object of the invention is to provide an apparatus and method of the above character in which a  
5 cooled ablation electrode is provided.

Another object of the invention is to provide an  
20 apparatus and method in which the cooled ablation electrode is provided to preserve the urethral wall and also to enable an increase in the depth of the lesions which can be created.

Another object of the invention is to provide an  
25 apparatus and method in which is possible to determine the position of the distal extremity of the catheter within the prostate gland without the use of ultrasound.

Another object of the invention is to provide an  
30 apparatus and method of the above character in which impedance sensing means is carried by the distal extremity of the catheter to ascertain when the distal extremity is entering the area of the prostate gland.

Another object of the invention is to provide an  
35 apparatus and method of the above character in which the impedance sensing is utilized for controlling the

79183-4

3

application of radio frequency energy to the ablation electrode.

According to one aspect the invention provides a transurethral radio frequency apparatus for ablation of target tissue beyond a wall by the use of radio frequency energy comprising a probe consisting of an elongate tubular member having proximal and distal extremities, a cylindrical sleeve ablation electrode carried by the distal extremity of the elongate tubular member, the elongate tubular member being provided with a first flow lumen in communication with the ablation electrode, cooling means connected to the probe for supplying a cooling fluid to the first flow lumen, means connected to the probe for supplying radio frequency energy to the ablation electrode while it is being cooled, temperature monitoring means for monitoring the temperature of the ablation electrode and means coupled to the temperature monitoring means and to the cooling means for controlling the supply of cooling fluid so that the ablation electrode is maintained at a temperature below a predetermined temperature to spare the wall from irreversible damage while radio frequency energy is being delivered to the ablation electrode to ablate the target tissue.

Additional objects and features of the invention will appear from the following description in which the preferred embodiments are set forth in detail in conjunction with the accompanying drawing.

Figure 1 is a schematic illustration of an apparatus incorporating the present invention showing the apparatus being utilized to perform ablation in the prostate gland.

79183-4

3a

Figure 2 is an enlarged cross-sectional view of a portion of the catheter shown in Figure 1.

Figure 3 is a cross-sectional view taken along the line 3-3 of Figure 2.

5 Figure 4 is a cross-sectional view taken along the line 4-4 of Figure 2.

Figure 5 is a cross-sectional view taken along the line 5-5 of Figure 2.

10 Figure 6 is a schematic diagram of the impedance sensing circuitry utilized in the apparatus shown in Figure 1.

Figure 7 is a schematic diagram of the radio frequency power circuit utilized for the apparatus shown in Figure 1.

15 Figure 8 is a graph showing the temperatures encountered during an ablation procedure in the prostate gland.

In general, the radio frequency apparatus for ablation of the prostate gland through the urethra consists  
20 of a probe in the form of a flexible elongate member having proximal and distal extremities and adapted to be inserted into the urethra. An ablation electrode is carried by the distal extremity of the flexible elongate member. The flexible elongate member is provided with a first flow  
25 passage therein for delivering a cooled fluid to the ablation electrode to cool the same. The flexible



elongate member also is provided with an additional flow passage for withdrawing the cooled fluid after it has passed into close proximity of the ablation electrode. Means is connected to the ablation electrode for supplying  
5 radio frequency energy to the electrode while it is being cooled to supply radio frequency energy through the urethral wall to the tissue of the prostate gland. The cooling of the ablation electrode serves to protect the urethral wall from the heat generated by radio frequency  
10 energy. Impedance sensing means is carried by the distal extremity of the flexible elongate member for ascertaining when the distal extremity of the flexible elongate member has passed into the prostate gland.

More in particular, the transurethral radio frequency  
15 apparatus 10 for ablation of the prostate gland consists of a probe 11 which includes flexible elongate member 12 formed of a suitable material such as plastic and having proximal and distal extremities 13 and 14. The proximal extremity 13 is provided with first and second legs 16 and  
20 17 which are connected by fittings 18 and 19 to flexible tubes 21 and 22. The tubes 21 and 22 are connected to fittings 23 and 24 mounted on a block 26 representing schematically a chilled saline solution and pump. The chilled saline solution and pump 26 is utilized for  
25 supplying a suitable cooling liquid, as for example a saline solution under pressure through the tubing 21 with a return provided by the tubing 22.

The proximal extremity 13 is also provided with a branch 31 from which there extends a cable 32 for carrying  
30 a plurality of conductors as hereinafter described which are connected to a radio frequency generator with impedance sensing capabilities as represented by the block 36.

The flexible elongate tubular member 12 is provided  
35 with a central flow lumen 41 which is adapted to receive

2164860

-5-

the cooled saline solution supplied through the tubing 21. The flexible elongate tubular member 12 is also provided with two additional moon-shaped or crescent-shaped lumens 42 and 43 with lumen 42 being used as a return lumen for the saline solution and lumen 43 serving as a wire lumen. A sleeve 46 formed of a suitable conductive material such as platinum or stainless steel and having generally the same diameter as the diameter of the flexible elongate tubular member 12 is secured to the distal extremity 14 by a suitable means such as an adhesive (not shown). The sleeve 46 is provided with a central bore 47 extending therethrough. As shown particularly in Figure 2, the central flow lumen 41 runs into the bore 47 so that the cooled saline solution exiting therefrom exits near the distal extremity of the sleeve 46. Thereafter it passes proximally as indicated by the arrows 48, past the interior surface of the sleeve 46 and in contact therewith and thence into the return lumen 42 which is in communication with the bore 47.

The hemispherical tip 51 is formed of a suitable material such as plastic and is secured to the distal extremity of the sleeve 46 by suitable means such as a mounting block 52 also formed of plastic and secured to the distal extremity of the sleeve 46 by a suitable means such as an adhesive (not shown).

At least two and preferably four impedance sensing electrodes 56 are carried by the hemispherical tip 51 and as shown are embedded therein and are separated circumferentially by 90° with respect to each other. The impedance sensing electrodes 56 also can be formed of a suitable material such as platinum and are connected by insulated conductors 57 extending through holes 58 provided in the mounting block 52 into the bore 47 of the sleeve 46 thence into the wire lumen 43. Although the conductors 57 extend through the bore 57 which is exposed



to the cooling solution, the wire lumen 43 is sealed off from the bore 47 by an epoxy plug 61 at the entrance to the wire lumen 43 (see Figure 2). Another insulated conductor 66 extends through the wire lumen 43 and is  
5 connected to the sleeve electrode 46 at a solder joint 67.

Means is provided for sensing the temperature of the sleeve electrode 46 and consists of a thermistor 71 which is disposed adjacent to the inner surface of the sleeve electrode as shown in Figure 2 and is connected to an  
10 insulated conductor 72 which also extends into the wire lumen 43.

Because the prostate gland in which the ablation is to be performed is segmented into two parts disposed on opposite sides of the urethra it may be desirable to  
15 provide segmented insulating layers 76 on opposed sides of the sleeve electrode 46 as shown in Figure 4 so that radio frequency energy will only be radiated from the sleeve electrode 46 in the areas which are the spaced-apart areas between the insulating layers 76.

20 The probe 11 may be of a suitable size such as 7 to 10 French with a length of 10 to 15 inches. Graduations 77 are provided on the probe and be in centimeters or inches.

Operation and use of the transurethral radio  
25 frequency apparatus for ablation of the prostate gland in performance of the method of the present invention may now be briefly described in conjunction with Figures 6, 7 and 8. Let it be assumed that a male human being or patient is suffering from benign prostatic hypertrophy which  
30 requires medical treatment. The hemispherical tip 51 of the probe 11 is inserted into the urethra 81 of the penis 82 and is advanced progressively until the hemispherical tip 51 carried by the probe 11 is in the vicinity of the prostate gland 83 which is disposed adjacent the bladder  
35 84.

2164860

-7-

At the commencement of this procedure, the impedance sensing circuitry shown in Figure 6 of the apparatus 10 is turned on. As shown, the impedance sensing electrodes 56 carried by the hemispherical tip 51 are disposed in two pairs spaced 180° apart with one pair being offset with respect to the other pair by 90°. One electrode of each pair is connected to ground as shown whereas the other electrode is connected to the operational amplifier 91, the output of which is connected to a full wave rectifier 92. The full wave rectifier 92 has its output connected to a display unit 93 which can be in the form of a video display monitor.

A radio frequency constant current source 96 is provided for supplying a very small constant current, less than 10 milliamperes, to each of the ungrounded sensing electrodes 56. The source 96 can be of a suitable frequency, as for example from 100 to 200 KHz. The frequency of the radio frequency from the constant current generator 96 is selected so that it is high enough so that it will not cause any stimulation of the sphincter muscle of the urethra. The current is kept low enough so that there is substantially no heating of the electrodes 56 but still making it possible to measure impedance. The AC voltage which is picked up by the impedance sensing electrode 56 is amplified by the amplifier 91 and supplied to the full wave rectifier 92 and converter to a DC voltage which is displayed on the display unit 93.

Alternatively, the DC output signals from the full wave rectifiers 92 can be supplied to a microcontroller 96 with an A/D converter, the output of which is supplied to a display unit 97. The microcontroller 96 processes the signals from the two sets of sensing electrodes 56 which by a simple algorithm can multiply the two impedances and thereby magnify the change in impedance to obtain a signal which is the square of the impedance measured. Thus a

-8-

two-to-one change in measured impedance would be represented as a four-to-one change in the display unit 97. It should be appreciated that if only a single set of sensing electrodes is provided that the microcontroller 96  
5 could be provided with an algorithm which would represent a squaring circuit to again magnify a change in impedance.

It has been found that impedance sensing by the use of the impedance sensing electrodes 56 on the hemispherical tip 51 provides a very reliable indicator as  
10 to when the hemispherical tip 51 reaches the prostate gland so that the RF electrode 46 can be properly positioned in the prostate gland in the desired position. This is made possible because it has been found that the electrical impedance in the prostate gland is very low  
15 compared to the rest of the body, as for example as little as one-half of that of other body tissues such as muscle tissue. It has been found that body fat typically has an impedance ranging from 300-400 ohms and muscle tissue has an impedance ranging from 120-130 ohms whereas the tissue  
20 in the prostate gland has an impedance ranging from 50-60 ohms to represent almost a two-to-1 reduction in impedance over that of muscle. This marked reduction in impedance can be readily sensed by the sensing electrodes 56. Thus by observing the display units 93 or the display  
25 unit 97 if that is used, it can be readily determined when the hemispherical tip 51 is beginning to enter the prostate gland 83.

Although a single set of sensing electrodes can be provided for measuring impedance, two sets of sensing  
30 electrodes have been provided to aid in verifying that a change in impedance has occurred. Thus by way of example, the probe 11 can be rotated by 90° merely by grasping the proximal extremity by the hand and rotating while the probe 11 is in the urethra 81. Thus if a change of  
35 impedance is sensed by one of the pair of sensing



2164860

-9-

electrodes, this change in impedance can be verified by rotating the sensing electrodes by 90° to verify that the same change in impedance is sensed by the other set of electrodes. This makes it possible to verify that the  
5 entrance to the prostate gland 83 has been reached. After this entrance point or region has been sensed, the probe 11 can be advanced a predetermined distance measured externally on the side 77 on the probe 11 to ensure that the RF sleeve electrode is positioned in the proper  
10 position within the prostate gland. This can be readily accomplished since the prostate gland is generally of a known size with the distance being between the opposite extremities of the prostate gland being known so that the RF sleeve electrode can be properly positioned within the  
15 prostate gland. In addition, by utilizing the two pairs of sensing electrodes 56 it is possible to position the probe 11 by appropriate rotation of the same externally of the urethra by the hand and to thereby position the probe 11 so that the uninsulated portions of the sleeve  
20 electrode 46 extending between the insulating layers 76 are disposed so that they are aligned with the lobes on opposite sides of the prostate gland in which it is desired to introduce radio frequency energy.

During or after the positioning procedure  
25 hereinbefore described for the probe 11 has been accomplished, the chilled saline solution and pump apparatus 26 can be turned on so that the chilled saline solution is introduced through the central lumen 41 and passes over the interior of the sleeve electrode 46 and  
30 exits through the lumen 42 for at least approximately one minute so as to reduce the temperature of the electrode and the surrounding urethral wall to around 20-25°C before application of any radio frequency energy from the radio frequency power generator 37. As shown in Figure 7, the  
35 radio frequency power generator 37 consists of a radio

-10-

frequency power source 101 of a conventional type, as for example, one of a frequency from 400-500 KHz and having a power output capability ranging from 20-30 watts. The source 101 is provided with an output which is connected  
5 to the conductor 66 and to the radio frequency electrode 46. The temperature of the radio frequency electrode is sensed by the thermistor 71 which is connected by the conductors 72 and 73 to an amplifier 102. The output of the amplifier 102 is supplied to a comparator 103 which  
10 has one input connected to an adjustable temperature setting potentiometer 104 having an adjustable wiper 106. The output from the comparator 103 is supplied to the RF power source 101 to maintain a constant temperature on the radio frequency electrode which is determined as  
15 hereinafter described. As is conventional, a dispersive return pad 111 is placed in an appropriate position on the body of the patient to serve as a return for the RF energy in a manner well known to those skilled in the art.

As shown in Figure 7 as the radio frequency energy is  
20 applied to the electrode 46, the temperature gradually increases. Commencing with the point of contact with the wall forming the urethra 81, the temperature gradually increases as shown by the solid curve 116 shown in Figure 7 until it reaches the broken line power curve 117  
25 shown in Figure 7. This power curve 117 represents the case of the temperatures which would be encountered if no cooling was being applied to a ablation or sleeve electrode 46. The urethral wall forming the urethra 81 typically has a thickness ranging from 1-2 millimeters as  
30 shown by that dimension in Figure 8. Typically by cooling the radio frequency electrode 46, it is possible to keep the temperature at the urethral wall in the range of 37-40°C which is well below the temperature at which irreversible damage in human tissue can occur which, for  
35 example is typically approximately 50°C. Thus, as shown

2164860

-11-

in Figure 8, the curve 116 begins to cross the 50°C broken line 117 at a point which is at the outer margin or slightly beyond the outer margin of the urethral wall represented by the distance of 1-2 millimeters.

5 Thereafter, for a distance of approximately 1 centimeter which is generally the distance in which it is desired to ablate tissue in the prostate gland, the curve 116 representing temperature rapidly rises above 50°C to cause radio frequency ablation of this tissue. The temperature

10 rises until the curve 116 reaches the broken line curve 118 then gradually decreases to below the 50°C temperature at a distance of approximately 1 centimeter. Thus irreversible damage in the tissue in the prostate gland will only occur within this region of 1 centimeter from

15 the electrode while sparing the first 1-2 millimeters of tissue which represents the wall of the urethra 81. With such a method it can be seen that it is possible to readily create a lesion ranging in depth from 0.5 to 1 centimeter within the prostate gland depending upon the

20 amount of power applied from the radio frequency source. To ensure that the wall of the urethra 81 will be spared during this ablation procedure, the feedback control hereinbefore described utilizing the thermistor 71 is used to control the radio frequency power source 101 to retain

25 the temperature of the sleeve electrode 46 below 50°C.

It should be appreciated that in connection with the foregoing, automatic controls can be provided with the impedance sensing means hereinbefore described in which the radio frequency power generator 37 can be turned on

30 automatically after a cooling saline solution has been supplied to the electrode for a period of at least one minute to reduce the temperature to the desired level of approximately 25°C. It also should be appreciated that the probe 11 can be rotated during the procedure to

35 achieve additional ablation of the prostate gland if that



-12-

is desired. After the desired amount of ablation has been achieved, the probe 11 can be readily removed from the urethra 81 to complete the procedure.

It can be seen from the foregoing that there has been  
5 provided a transurethral radio frequency apparatus for  
ablation of the prostate gland and a method by use thereof  
which makes it possible to achieve such ablation without  
causing any significant damage to the urethral wall while  
at the same time making it unnecessary to penetrate the  
10 urethral wall and causing damage thereto. In addition, it  
is possible to perform the method in positioning the probe  
without the use of ultrasonic imaging means. Thus, there  
has been provided a relatively simple probe in which  
positioning and ablation can be accomplished from the same  
15 probe.

79183-4

13

CLAIMS:

1. A transurethral radio frequency apparatus for ablation of target tissue beyond a wall by the use of radio frequency energy comprising a probe consisting of an  
5 elongate tubular member having proximal and distal extremities, a cylindrical sleeve ablation electrode carried by the distal extremity of the elongate tubular member, the elongate tubular member being provided with a first flow lumen in communication with the ablation electrode, cooling  
10 means connected to the probe for supplying a cooling fluid to the first flow lumen, means connected to the probe for supplying radio frequency energy to the ablation electrode while it is being cooled, temperature monitoring means for monitoring the temperature of the ablation electrode and  
15 means coupled to the temperature monitoring means and to the cooling means for controlling the supply of cooling fluid so that the ablation electrode is maintained at a temperature below a predetermined temperature to spare the wall from irreversible damage while radio frequency energy is being  
20 delivered to the ablation electrode to ablate the target tissue.

2. Apparatus as in claim 1 wherein said temperature monitoring means includes means for controlling the application of radio frequency energy to the ablation  
25 electrode so that the ablation electrode does not rise above the predetermined temperature.

3. Apparatus as in claim 2 wherein said temperature monitoring means includes automatic means for controlling the temperature so that the temperature of the wall does not  
30 exceed a temperature ranging from 37-40°C.

79183-4

14

4. Apparatus as in claim 1 wherein the impedance of the target tissue differs from the impedance of the surrounding tissue together with impedance measuring means carried by the distal extremity of the elongate tubular member and providing an electrical signal and means coupled to said electrical signal remote from the probe for displaying the impedance being measured whereby the position of the probe with respect to the target tissue can be ascertained.
5. Apparatus as in claim 4 wherein said impedance measuring means includes first and second pairs of spaced-apart impedance sensing electrodes carried by the distal extremity of the elongate tubular member and means for supplying radio frequency constant current energy of less than 10 milliamperes to the impedance sensing electrodes.
6. Apparatus as in claim 5 wherein at least one pair of said first and second pairs of impedance sensing electrodes includes first and second circumferentially spaced-apart impedance sensing electrodes carried by the distal extremity of the elongate tubular member.
7. Apparatus as in claim 6 wherein the first pair of impedance sensing electrodes is spaced-apart by approximately 90° from the second pair of impedance sensing electrodes.
8. Apparatus as in claim 1 further including a segmented insulating layer carried by the ablation electrode so that radio frequency energy is only radiated from the ablation electrode in the area not covered by the segmented insulating layer.



79183-4

15

9. Apparatus as in claim 1 wherein the elongate tubular member and the ablation electrode carried by the distal extremity of the elongate tubular member have a configuration so that they can remain within the urethra  
5 during the application of radio frequency energy while performing an ablation without the necessity of physically penetrating the urethral wall.

SMART & BIGGAR  
OTTAWA, CANADA

PATENT AGENTS

2164860

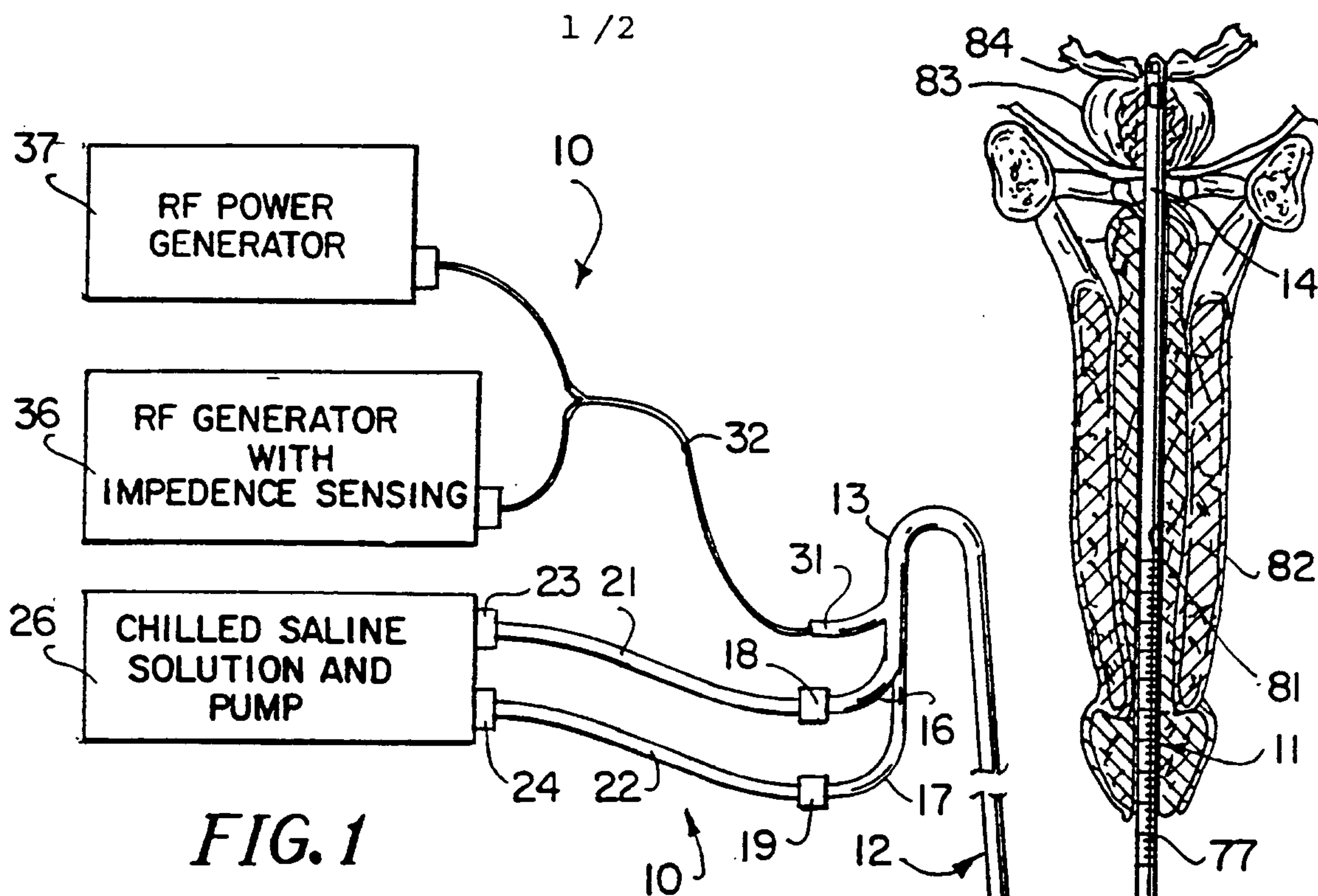


FIG. 1

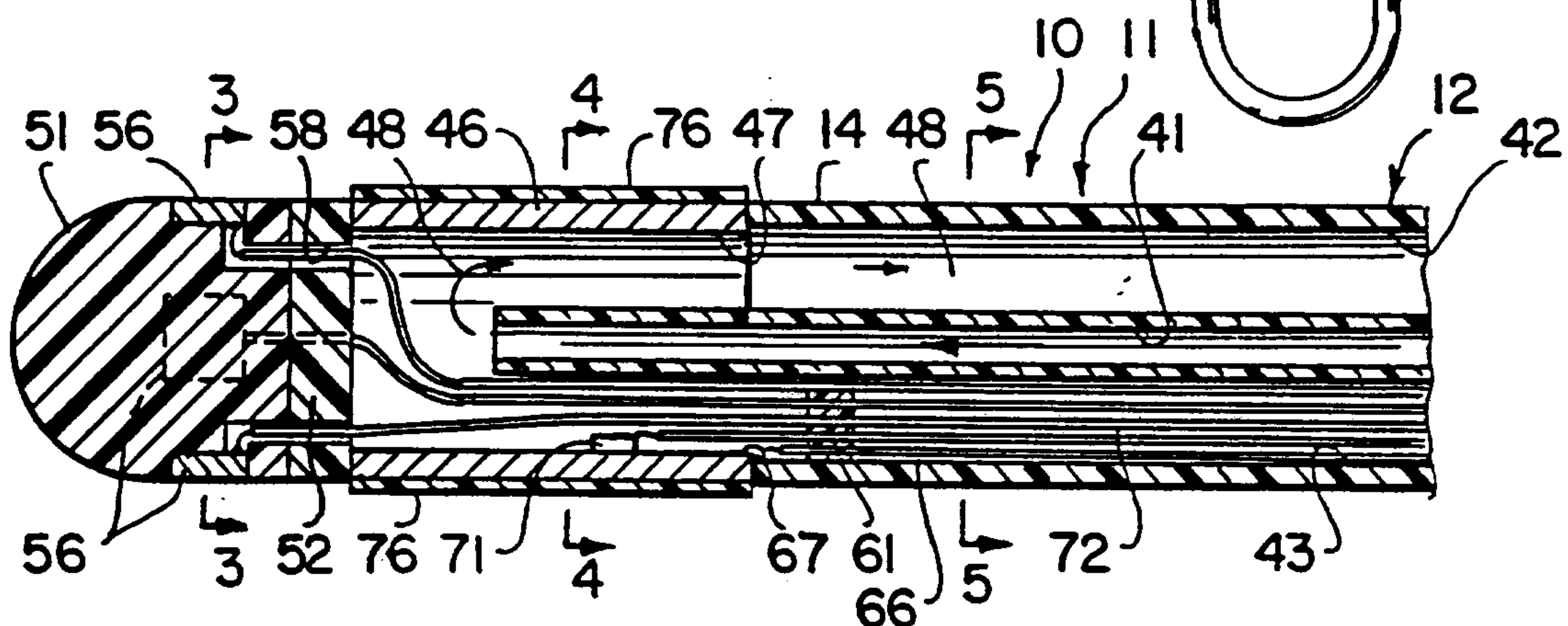


FIG. 2

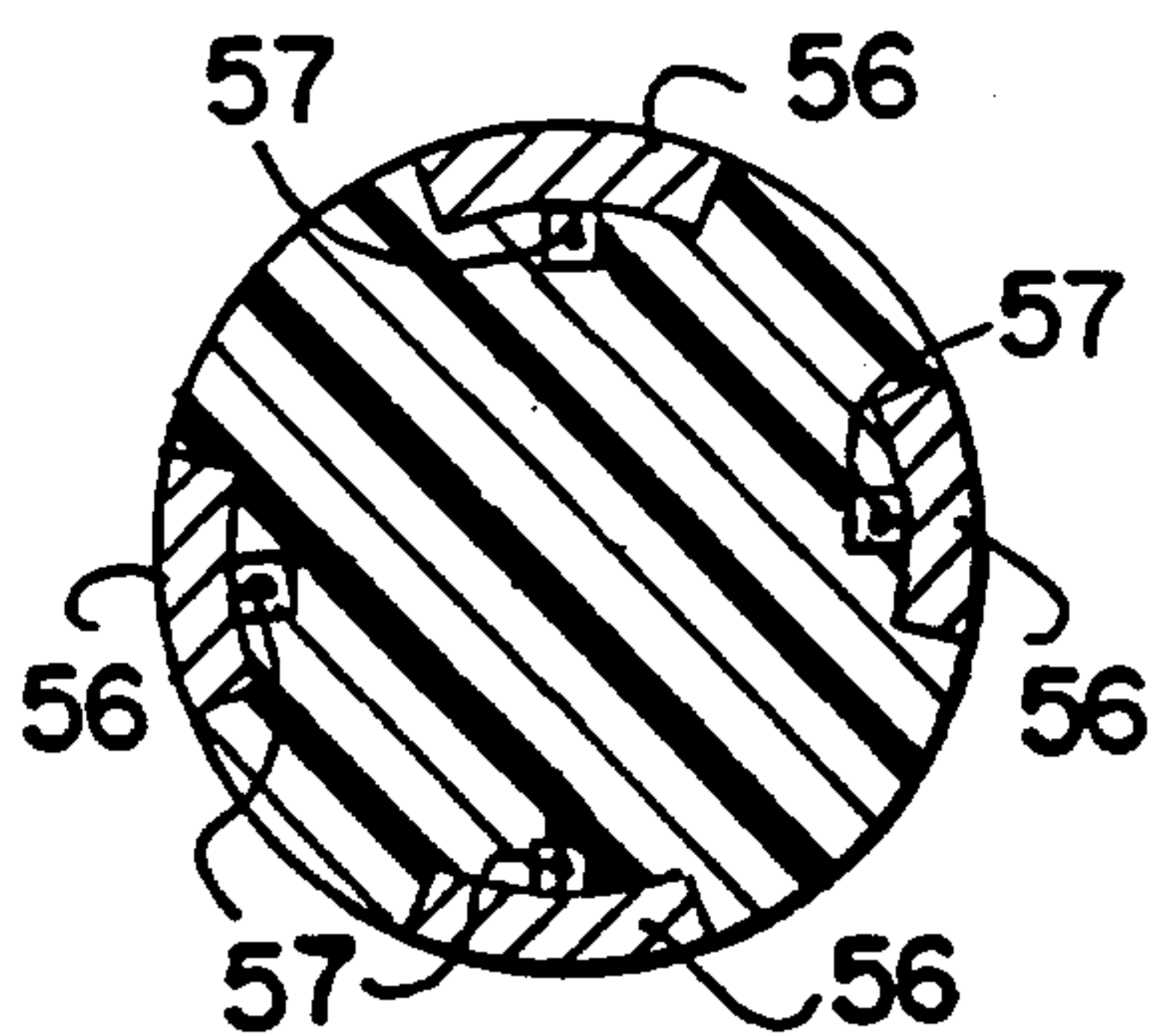


FIG. 3

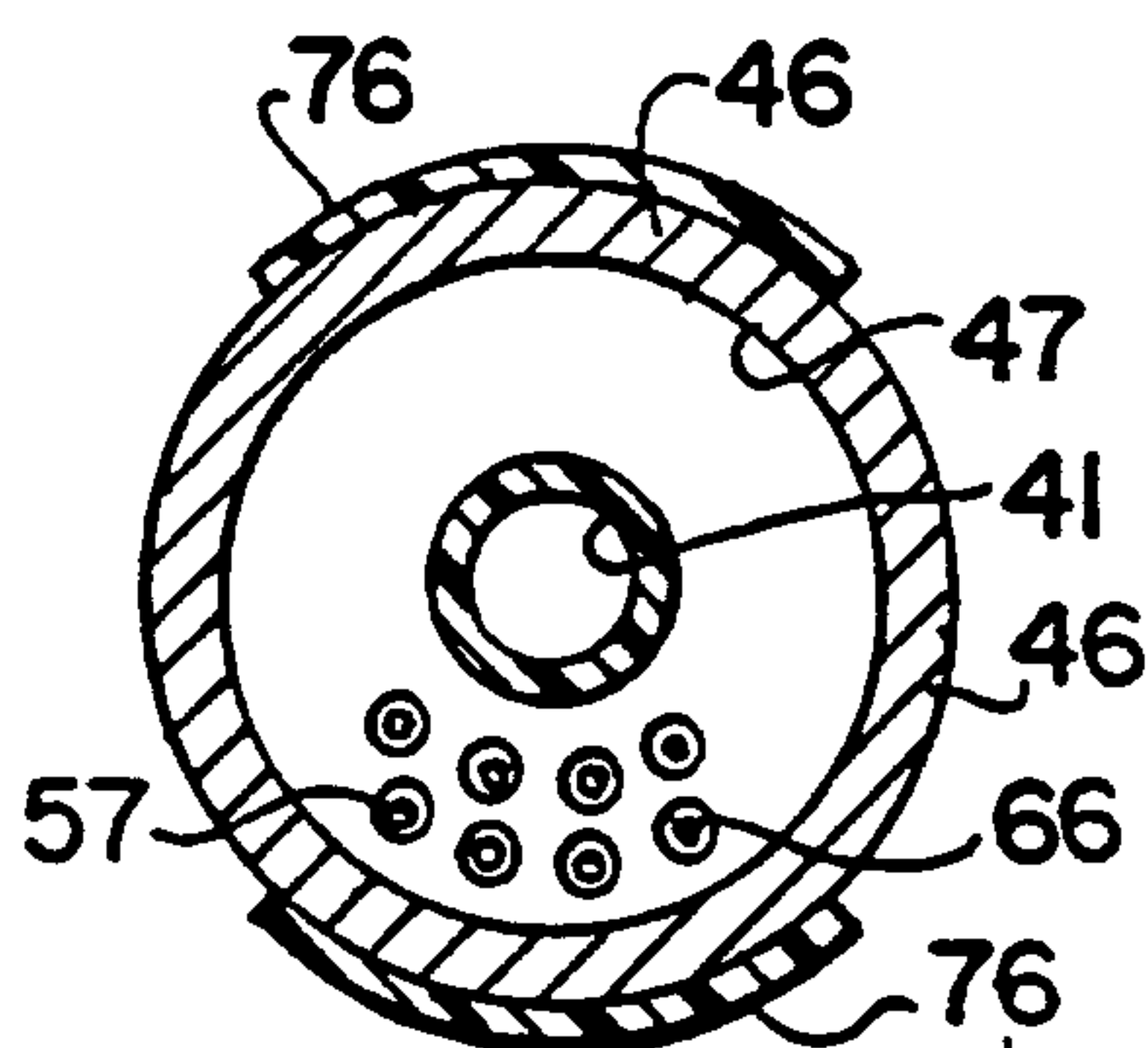


FIG. 4

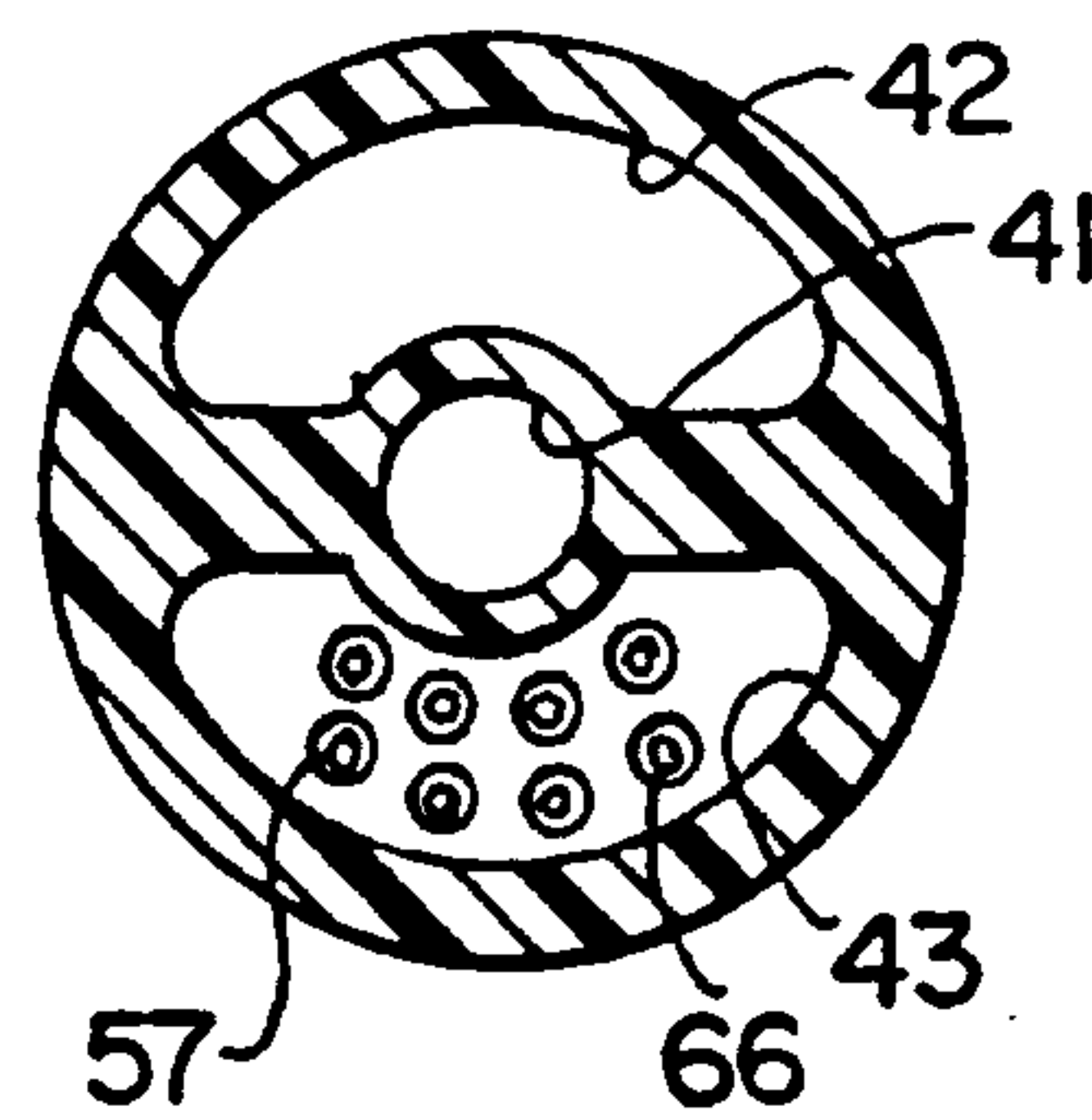


FIG. 5

2164860

2/2

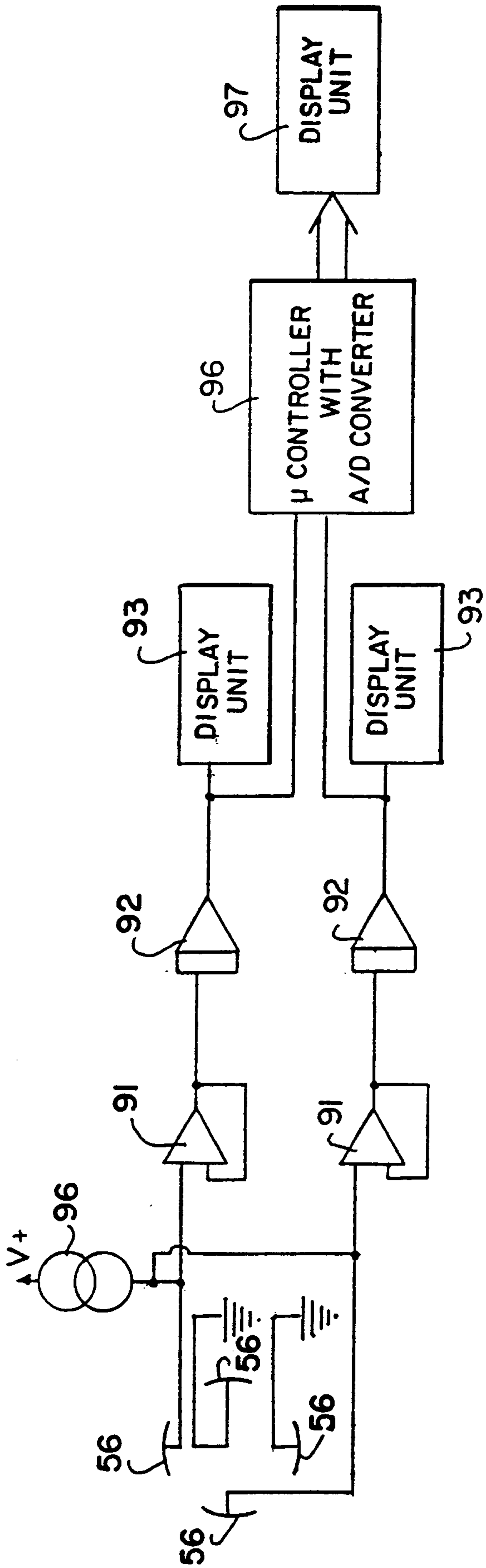


FIG. 6

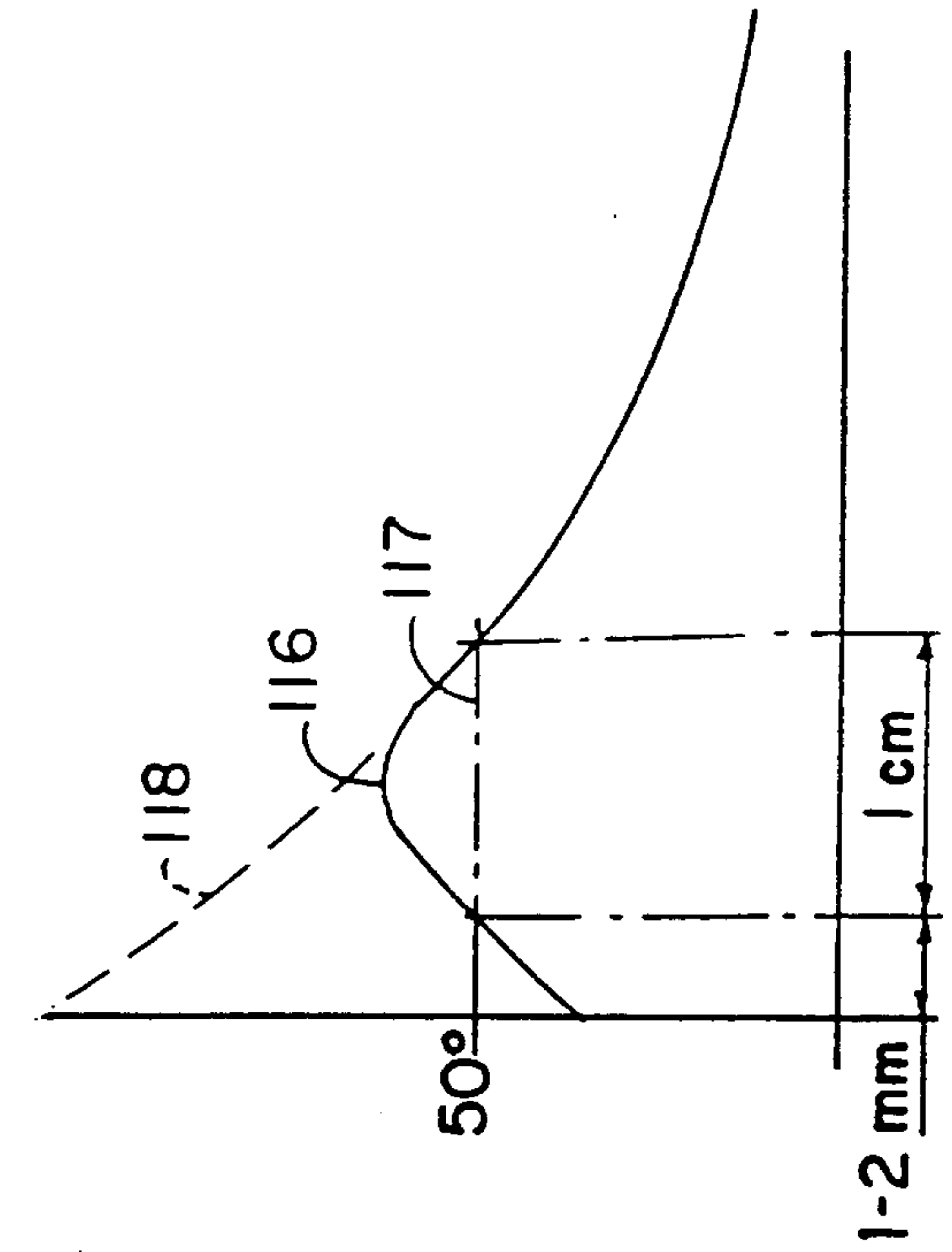


FIG. 8

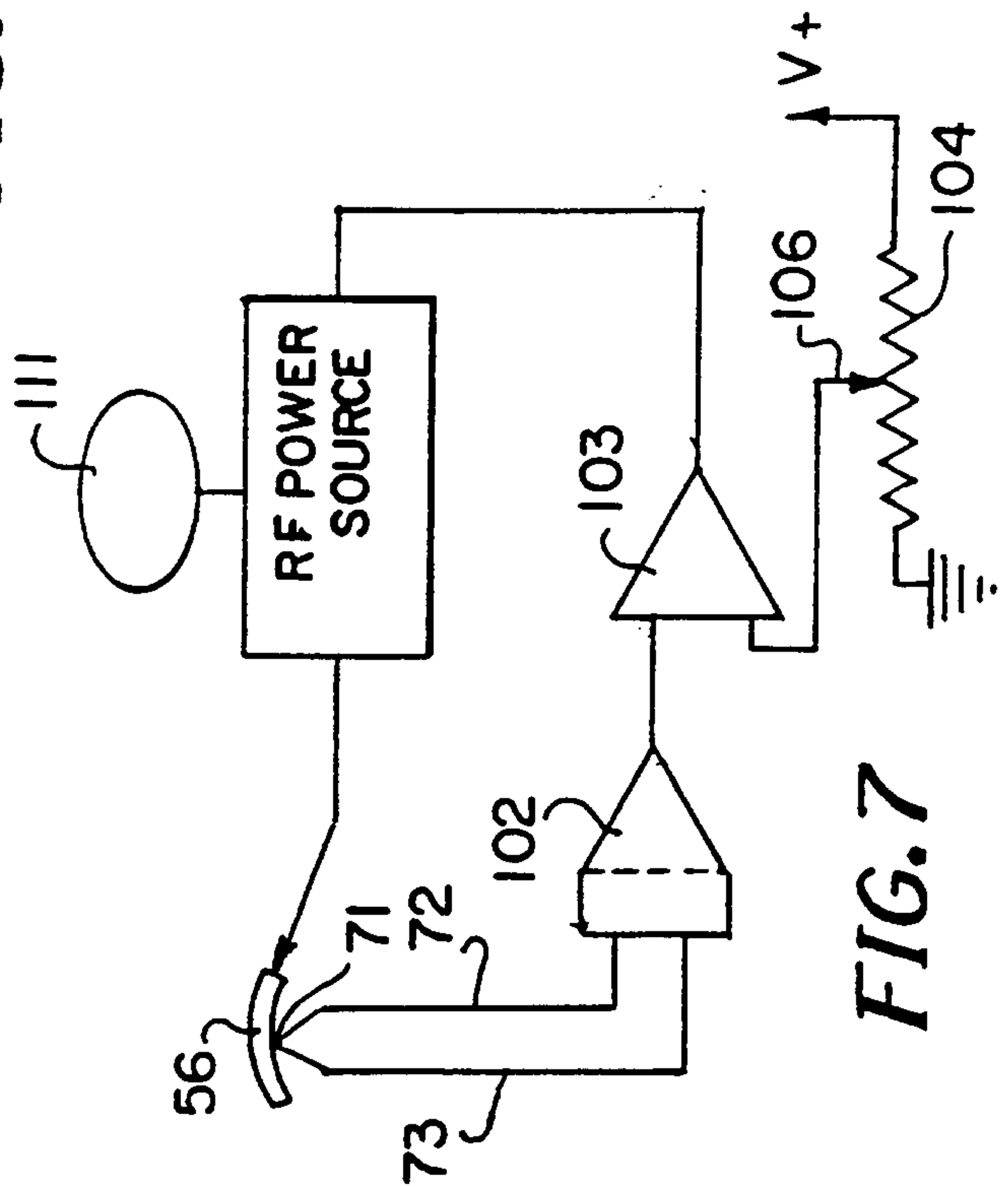


FIG. 7



