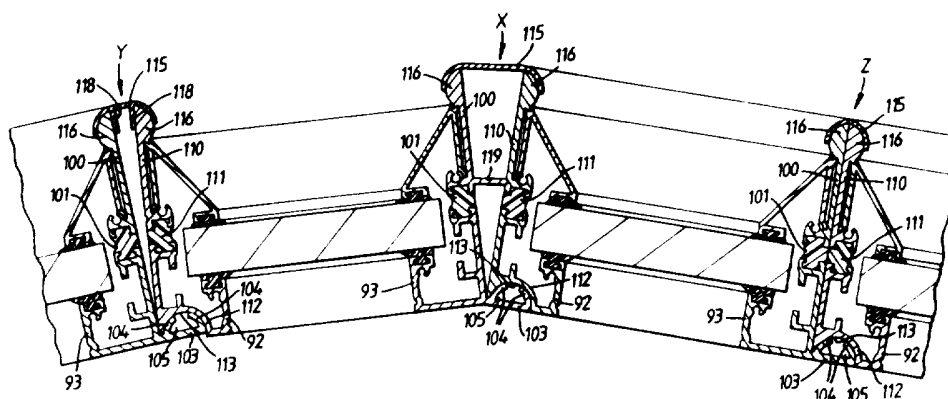




INTERNATIONAL APPLICATION PUBLISHED UNDER THE PATENT COOPERATION TREATY (PCT)

<p>(51) International Patent Classification ⁵ : E04B 1/00, E04D 3/08</p>	<p>A3</p>	<p>(11) International Publication Number: WO 92/01122 (43) International Publication Date: 23 January 1992 (23.01.92)</p>
<p>(21) International Application Number: PCT/GB91/01135 (22) International Filing Date: 10 July 1991 (10.07.91) (30) Priority data: 9015148.1 10 July 1990 (10.07.90) GB (71)(72) Applicant and Inventor: SYCAMORE, Romney [GB/GB]; 5, Chartview, St. Edith's Road, Kemsing, North Sevenoaks, Kent TN15 6PP (GB). (74) Agent: LERWILL, John; A.A. Thornton & Co., Northumberland House, 303-306 High Holborn, London WC1V 7LE (GB).</p>		<p>(81) Designated States: AT (European patent), BE (European patent), CH (European patent), DE (European patent), DK (European patent), ES (European patent), FI, FR (European patent), GB (European patent), GR (European patent), IT (European patent), LU (European patent), NL (European patent), NO, SE (European patent), US. Published <i>With international search report. Before the expiration of the time limit for amending the claims and to be republished in the event of the receipt of amendments.</i> (88) Date of publication of the international search report: 14 May 1992 (14.05.92)</p>
<p>(54) Title: CONSERVATORY CONSTRUCTION</p>		



(57) Abstract

A conservatory is assembled from a sill beam (1) mounted on a low brick wall (B), a transom beam (3) spaced above and following the line of the sill beam, glazed window panels (2) mounted between the sill and transom beams, and a roof structure including a cantilever ridge beam (70) carrying an apex block (71) at its free end, and roof panels (4, 5) mounted between the ridge and apex and the transom beam. The beams (1, 3) are assembled from beam members each made up from a base (40) and a cover (40), and joints (8) which are constructed from a core (9, 10) and beam connectors (20) so that the connected beam members are at the desired angle to each other. The window panels (2) have side frame members (50) fastened to the beam joints (8) by brackets (60) and masking strips (65, 66) span the gaps between the side frame members of adjacent window panels at their inner and outer edges. The roof panels (4, 5) each have side frame members (92, 93) of different cross-section allowing adjacent roof panels to be interlocked directly with each other. For supporting the roof panels from the ridge beam and apex block hooks (76, 80) are used.

FOR THE PURPOSES OF INFORMATION ONLY

Codes used to identify States party to the PCT on the front pages of pamphlets publishing international applications under the PCT.


AT	Austria	ES	Spain	MG	Madagascar
AU	Australia	FI	Finland	ML	Mali
BB	Barbados	FR	France	MN	Mongolia
BE	Belgium	GA	Gabon	MR	Mauritania
BF	Burkina Faso	GB	United Kingdom	MW	Malawi
BG	Bulgaria	GN	Guinea	NL	Netherlands
BJ	Benin	GR	Greece	NO	Norway
BR	Brazil	HU	Hungary	PL	Poland
CA	Canada	IT	Italy	RO	Romania
CF	Central African Republic	JP	Japan	SD	Sudan
CG	Congo	KP	Democratic People's Republic of Korea	SE	Sweden
CH	Switzerland	KR	Republic of Korea	SN	Senegal
CI	Côte d'Ivoire	LI	Liechtenstein	SU⁺	Soviet Union
CM	Cameroon	LK	Sri Lanka	TD	Chad
CS	Czechoslovakia	LU	Luxembourg	TG	Togo
DE*	Germany	MC	Monaco	US	United States of America
DK	Denmark				

+ Any designation of "SU" has effect in the Russian Federation. It is not yet known whether any such designation has effect in other States of the former Soviet Union.

INTERNATIONAL SEARCH REPORT

International Application No

PCT/GB 91/01135

I. CLASSIFICATION OF SUBJECT MATTER (if several classification symbols apply, indicate all) ⁶		
According to International Patent Classification (IPC) or to both National Classification and IPC		
Int.C1.5	E 04 B 1/00	E 04 D 3/08
II. FIELDS SEARCHED		
Minimum Documentation Searched ⁷		
Classification System	Classification Symbols	
Int.C1.5	E 04 D	E 04 B
Documentation Searched other than Minimum Documentation to the extent that such Documents are Included in the Fields Searched ⁸		
III. DOCUMENTS CONSIDERED TO BE RELEVANT⁹		
Category ¹⁰	Citation of Document, ¹¹ with indication, where appropriate, of the relevant passages ¹²	Relevant to Claim No. ¹³
A	GB,A,2218127 (SCHOLES WINDOWS LTD) 8 November 1989 ---	
A	FR,A,2528103 (GAU) 9 December 1983, see figure 8 ---	1
A	GB,A,1574716 (COLD SHIELD WINDOWS LTD) 10 September 1980, see the whole document ---	1,2,4,5 ,7
A	US,A,3210808 (CREAGER) 12 October 1965, see figures 3,4 ---	1,2,4,5 ,7
A	US,A,4663896 (DUNNICK) 12 May 1987, see abstract ---	1,2,4,5 ,7
A	GB,A,2016574 (J.G. HUNT HOUSING RESEARCH CENTRE) 26 September 1979, see the whole document -----	1,2,4,5 ,7
<p>¹⁰ Special categories of cited documents :</p> <p>"A" document defining the general state of the art which is not considered to be of particular relevance</p> <p>"E" earlier document but published on or after the international filing date</p> <p>"L" document which may throw doubts on priority claim(s) or which is cited to establish the publication date of another citation or other special reason (as specified)</p> <p>"O" document referring to an oral disclosure, use, exhibition or other means</p> <p>"P" document published prior to the international filing date but later than the priority date claimed</p> <p>"T" later document published after the international filing date or priority date and not in conflict with the application but cited to understand the principle or theory underlying the invention</p> <p>"X" document of particular relevance; the claimed invention cannot be considered novel or cannot be considered to involve an inventive step</p> <p>"Y" document of particular relevance; the claimed invention cannot be considered to involve an inventive step when the document is combined with one or more other such documents, such combination being obvious to a person skilled in the art.</p> <p>"&" document member of the same patent family</p>		
IV. CERTIFICATION		
Date of the Actual Completion of the International Search	Date of Mailing of this International Search Report	
17-10-1991	06.04.92	
International Searching Authority	Signature of Authorized Officer	
EUROPEAN PATENT OFFICE	 Natalie Weinberg	

FURTHER INFORMATION CONTINUED FROM THE SECOND SHEET

--	--	--

V. **OBSERVATION WHERE CERTAIN CLAIMS WERE FOUND UNSEARCHABLE** ¹

This International search report has not been established in respect of certain claims under Article 17(2)(a) for the following reasons:

1. Claim numbers _____ because they relate to subject matter not required to be searched by this Authority, namely: _____

2. Claim numbers _____ because they relate to parts of the International application that do not comply with the prescribed requirements to such an extent that no meaningful international search can be carried out, specifically: _____

3. Claim numbers _____ because they are dependent claims and are not drafted in accordance with the second and third sentences of PCT Rule 6.4(a).

VI. **OBSERVATIONS WHERE UNITY OF INVENTION IS LACKING** ²

This International Searching Authority found multiple inventions in this International application as follows:

1. As all required additional search fees were timely paid by the applicant, this International search report covers all searchable claims of the International application

2. As only some of the required additional search fees were timely paid by the applicant, this international search report covers only those claims of the International application for which fees were paid, specifically claims: _____

3. No required additional search fees were timely paid by the applicant. Consequently, this international search report is restricted to the invention first mentioned in the claims; it is covered by claim numbers: _____
 Claims 1-9,11,13,14,16-18,20-25,27,28

4. As all searchable claims could be searched without effort justifying an additional fee, the International Searching Authority did not invite payment of any additional fee.

Remark on Protest

The additional search fees were accompanied by applicant's protest.

No protest accompanied the payment of additional search fees.

**ANNEX TO THE INTERNATIONAL SEARCH REPORT
ON INTERNATIONAL PATENT APPLICATION NO.**

GB 9101135
SA 49444

This annex lists the patent family members relating to the patent documents cited in the above-mentioned international search report. The members are as contained in the European Patent Office EDP file on 17/03/92. The European Patent Office is in no way liable for these particulars which are merely given for the purpose of information.

Patent document cited in search report	Publication date	Patent family member(s)	Publication date
GB-A- 2218127	08-11-89	None	
FR-A- 2528103	09-12-83	None	
GB-A- 1574716	10-09-80	None	
US-A- 3210808		None	
US-A- 4663896	12-05-87	None	
GB-A- 2016574	26-09-79	AU-B- 512835	30-10-80
		AU-A- 3415978	20-09-79

EPO FORM P0079

For more details about this annex : see Official Journal of the European Patent Office, No. 12/82