



US00D331170S

United States Patent [19] Greiner

[11] Patent Number: **Des. 331,170**
[45] Date of Patent: **** Nov. 24, 1992**

[54] **FOOD CHOPPER**

[75] Inventor: **Ulrich Greiner, Elchingen, Fed. Rep. of Germany**

[73] Assignee: **MOHA Moderne Haushaltwaren AG, Zollikofen, Switzerland**

[**] Term: **14 Years**

[21] Appl. No.: **360,731**

[22] Filed: **Jun. 2, 1989**

[52] U.S. Cl. **D7/381; D7/382**

[58] Field of Search **D7/383, 384, 386, 376, D7/412, 413, 479, 693; 241/92, 37.5, 169.1, 282.1, 282.2**

[56] **References Cited**

U.S. PATENT DOCUMENTS

D. 244,416	5/1977	Zysset	D7/693
D. 320,326	10/1991	Barrault	D7/372 X
2,140,010	12/1938	Hanel	241/272
2,787,308	4/1957	Popeil	241/272
2,872,958	2/1959	Popeil	D7/693 X
3,029,851	4/1962	Zysset	241/272
3,083,747	4/1963	Zysset	D7/693 X
3,933,315	1/1976	Popeil	241/166
4,192,470	3/1980	Hartmann	241/169

FOREIGN PATENT DOCUMENTS

2651568	5/1978	Fed. Rep. of Germany .
2719980	11/1978	Fed. Rep. of Germany .
2904535	8/1980	Fed. Rep. of Germany .
313138	5/1956	Switzerland .
528339	11/1972	Switzerland .
624598	8/1981	Switzerland .
629994	5/1982	Switzerland .
821493	10/1959	United Kingdom .

OTHER PUBLICATIONS

Fortunoff, Apr. 2, 1985; P. J; #J-8 Second row, second from left.

Abstract of 76 17234.

Abstract of 77 02152.

Primary Examiner—Donald P. Walsh

Assistant Examiner—Caron D. Veynar

Attorney, Agent, or Firm—Griffin, Branigan & Butler

[57] CLAIM

The ornamental design for a food chopper, as shown.

DESCRIPTION

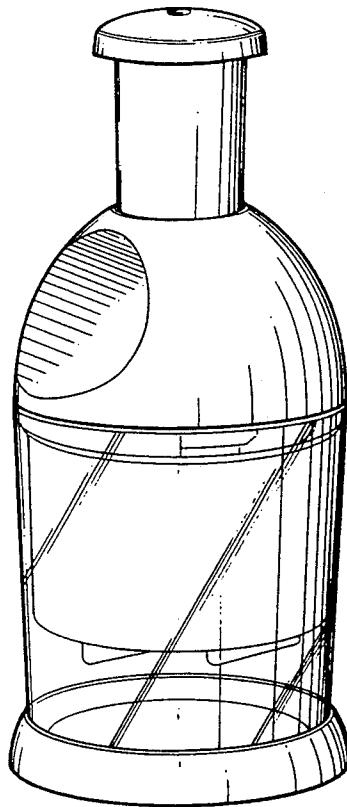
FIG. 1 is a perspective view of a food chopper showing my new design;

FIG. 2 is a top plan view;

FIG. 3 is a bottom perspective view of FIG. 1 with the cap removed for ease of illustration;

FIG. 4 is a bottom plan view of FIG. 1; and,

FIG. 5 is an exploded perspective view.



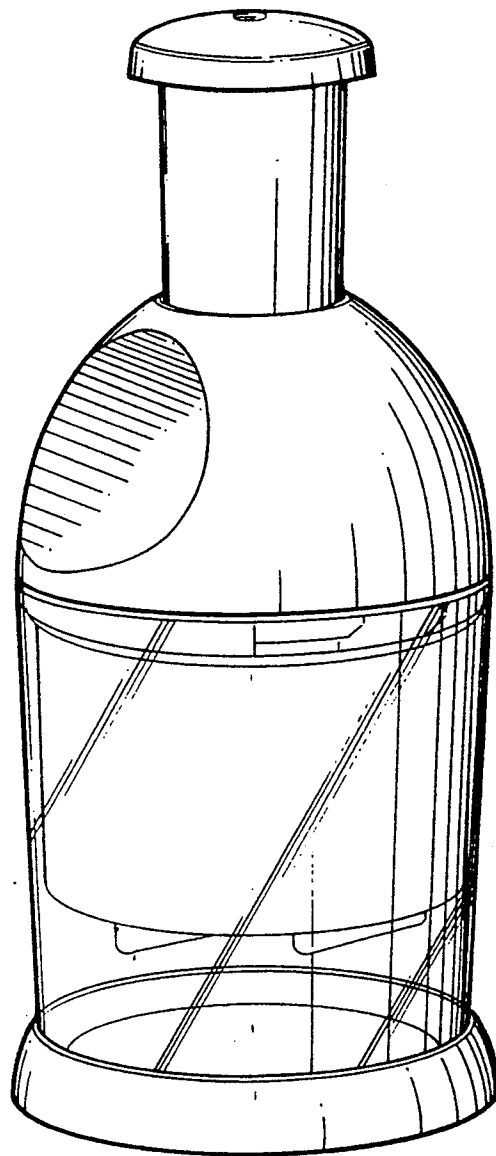


FIG. 1

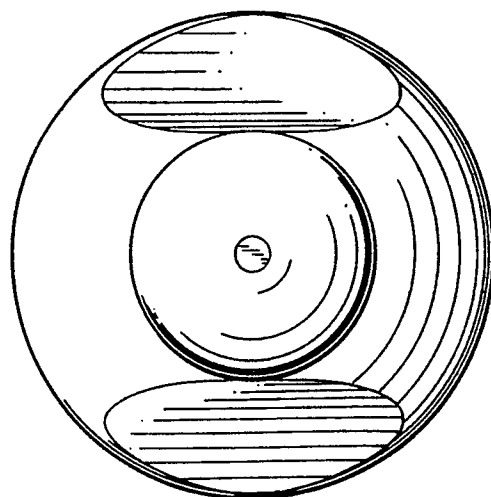


FIG. 2

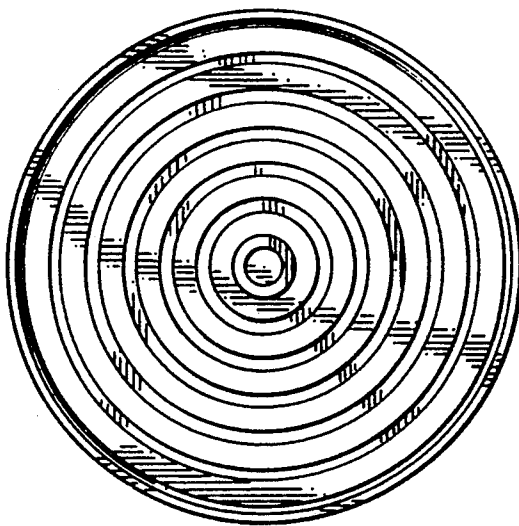


FIG. 4

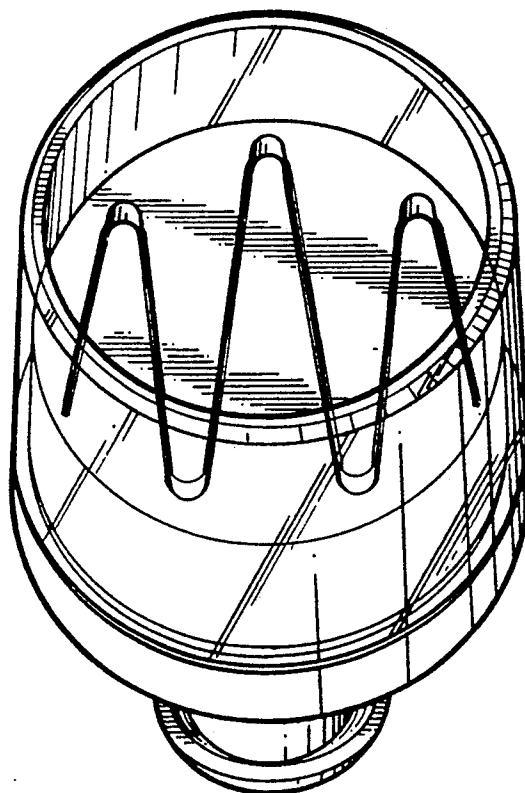


FIG. 3

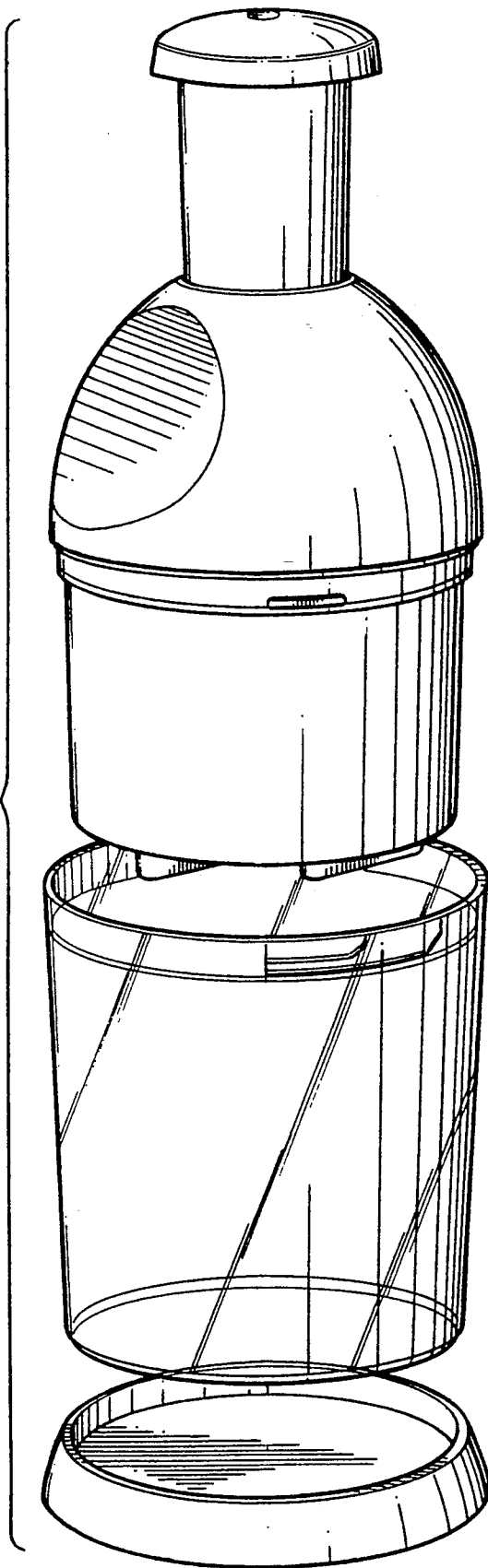


FIG. 5