



US00D533367S

(12) **United States Design Patent**
Marin

(10) **Patent No.:** **US D533,367 S**

(45) **Date of Patent:** **** Dec. 12, 2006**

(54) **LOUNGE CHAIR**

(75) Inventor: **Marco Marin**, Marsciano (IT)

(73) Assignee: **EMU Group S.p.A.**, Marsciano (IT)

(**) Term: **14 Years**

(21) Appl. No.: **29/231,150**

(22) Filed: **Jun. 1, 2005**

(51) **LOC (8) Cl.** **06-01**

(52) **U.S. Cl.** **D6/361**; D6/369

(58) **Field of Classification Search** D6/334-335,
D6/360, 361, 364, 365, 369, 374, 375, 500-502;
D25/16; 5/622, 624, 630; 297/423.1, 452.12,
297/452.13, 452.19, 452.64

See application file for complete search history.

(56) **References Cited**

U.S. PATENT DOCUMENTS

- D93,004 S * 8/1934 Debski D6/361
- D94,380 S * 1/1935 Debski D6/335
- D95,671 S * 5/1935 Frankl D6/361

- D201,750 S * 7/1965 Melchior D6/335
- D282,970 S * 3/1986 Parkin D25/16
- D504,244 S * 4/2005 Mourgue D6/361
- D508,618 S * 8/2005 Mourgue D6/375

* cited by examiner

Primary Examiner—Mimosa De

(74) *Attorney, Agent, or Firm*—Serafini Associates; Franco A. Serafini

(57) **CLAIM**

I claim the ornamental design for a lounge chair, as shown and described.

DESCRIPTION

FIG. 1 is a perspective view of a bed showing my new design;

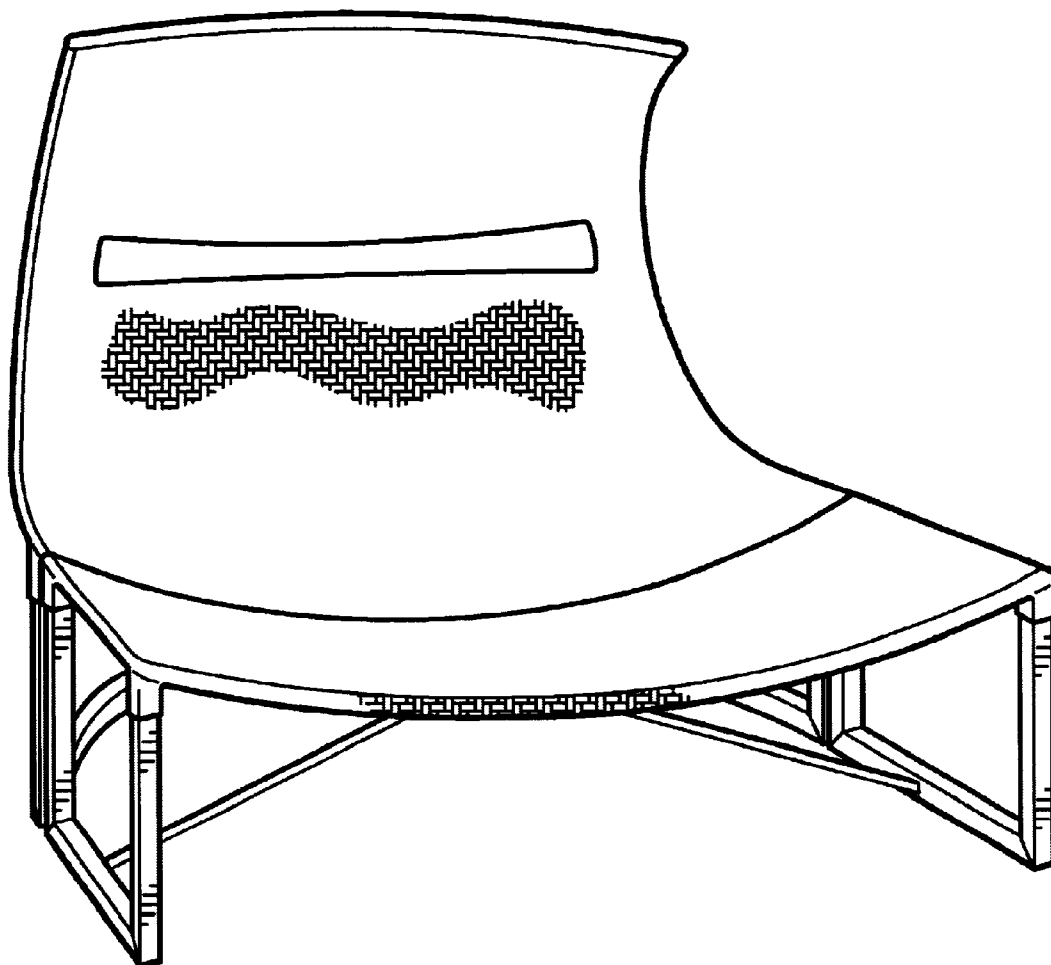
FIG. 2 is a front elevational view thereof;

FIG. 3 is a right side elevational view thereof; and,

FIG. 4 is a rear elevational view thereof.

The fragmented crosshatching shown on the lounge chair is understood to represent woven wicker and would be continuous throughout the circumscribed areas.

1 Claim, 4 Drawing Sheets



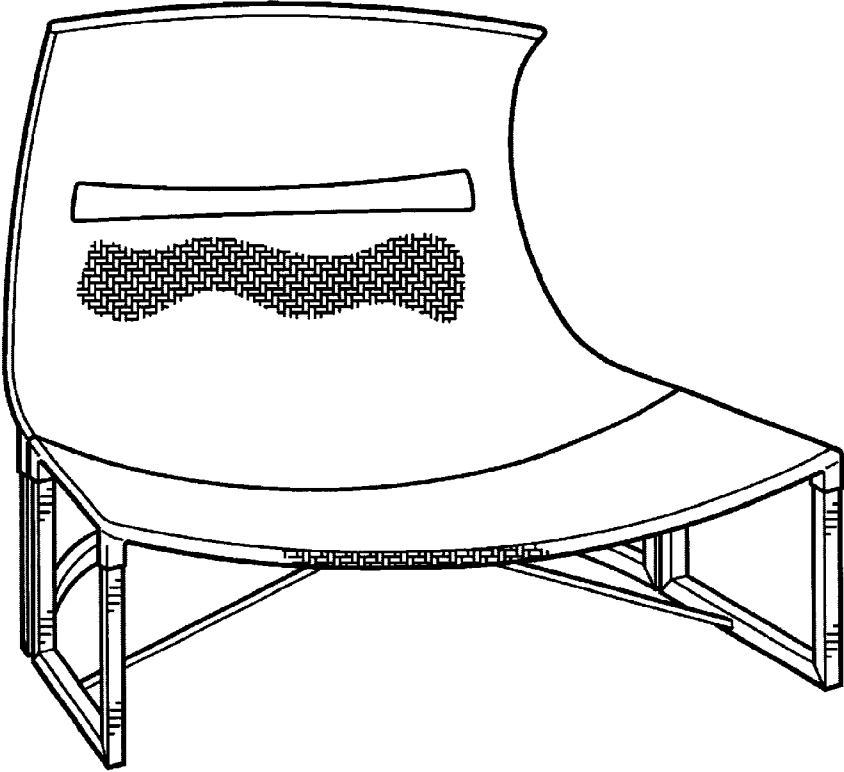


FIG. 1

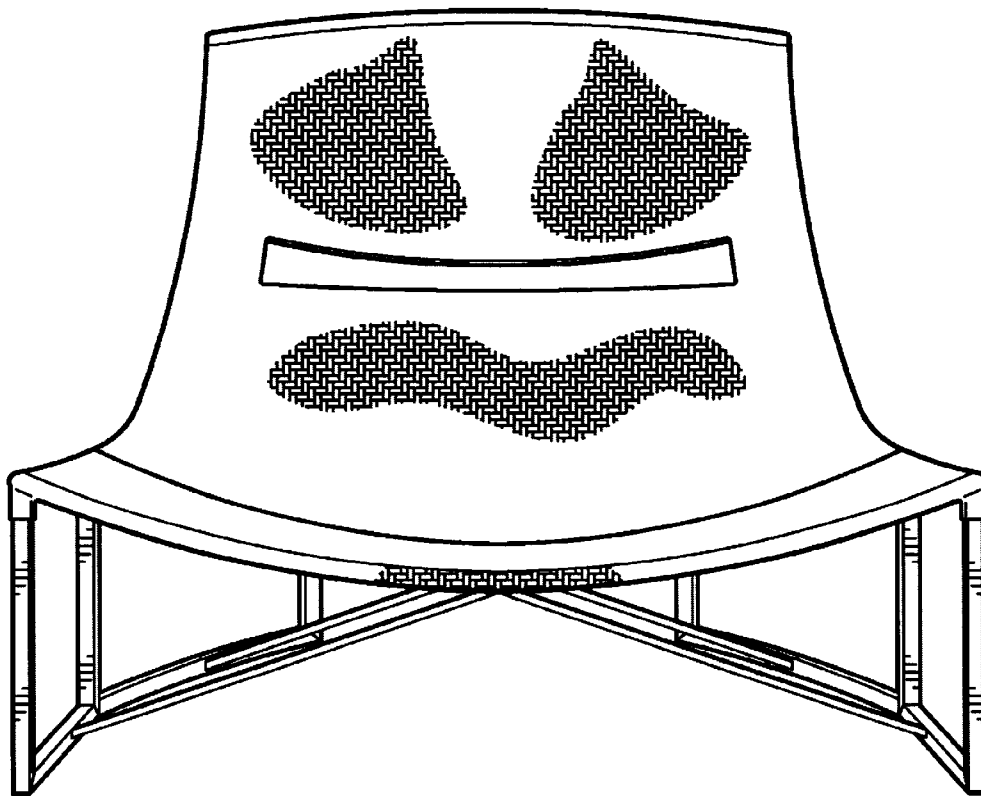


FIG. 2

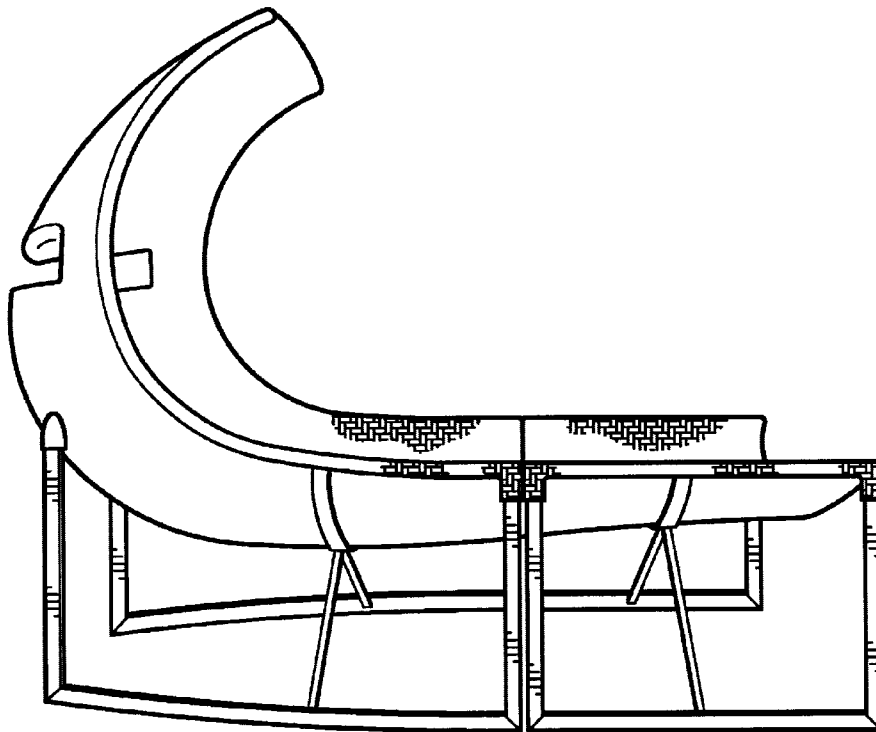


FIG. 3

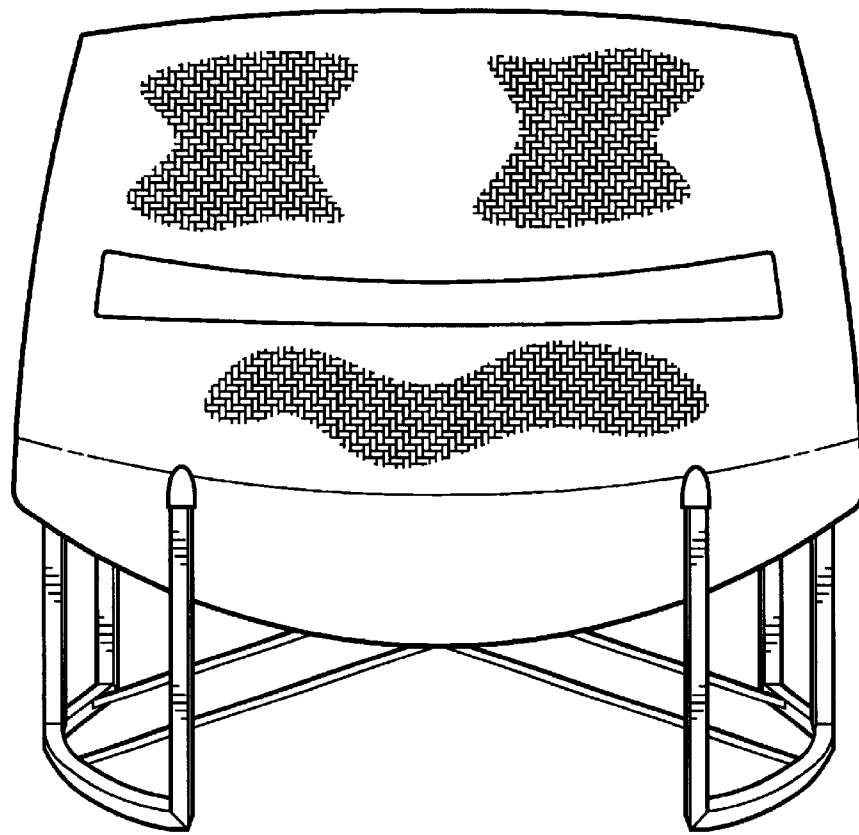


FIG. 4