



- (51) International Patent Classification:  
E21B 33/06 (2006.01)
- (21) International Application Number:  
PCT/US2013/035990
- (22) International Filing Date:  
10 April 2013 (10.04.2013)
- (25) Filing Language: English
- (26) Publication Language: English
- (30) Priority Data:  
61/622,426 10 April 2012 (10.04.2012) US
- (71) Applicant: NATIONAL OILWELL VARCO, L.P.  
[US/US]; 7909 Parkwood Circle Drive, Houston, TX  
77036 (US).
- (72) Inventor: JAHNKE, Douglas, A.; 5526 Pinewild Drive,  
Houston, TX 77066 (US).
- (74) Agent: SALAZAR, JL, Jennie; The JL Salazar Law Firm,  
PLLC, 1934 West Gray Street, Suite 401, Houston, TX  
77019 (US).
- (81) Designated States (unless otherwise indicated, for every  
kind of national protection available): AE, AG, AL, AM,  
AO, AT, AU, AZ, BA, BB, BG, BH, BN, BR, BW, BY,  
BZ, CA, CH, CL, CN, CO, CR, CU, CZ, DE, DK, DM,

DO, DZ, EC, EE, EG, ES, FI, GB, GD, GE, GH, GM, GT,  
HN, HR, HU, ID, IL, IN, IS, JP, KE, KG, KM, KN, KP,  
KR, KZ, LA, LC, LK, LR, LS, LT, LU, LY, MA, MD,  
ME, MG, MK, MN, MW, MX, MY, MZ, NA, NG, NI,  
NO, NZ, OM, PA, PE, PG, PH, PL, PT, QA, RO, RS, RU,  
RW, SC, SD, SE, SG, SK, SL, SM, ST, SV, SY, TH, TJ,  
TM, TN, TR, TT, TZ, UA, UG, US, UZ, VC, VN, ZA,  
ZM, ZW.

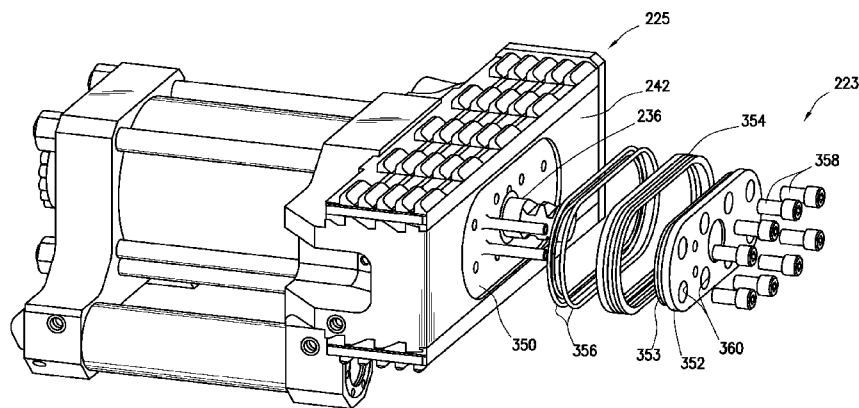
- (84) Designated States (unless otherwise indicated, for every  
kind of regional protection available): ARIPO (BW, GH,  
GM, KE, LR, LS, MW, MZ, NA, RW, SD, SL, SZ, TZ,  
UG, ZM, ZW), Eurasian (AM, AZ, BY, KG, KZ, RU, TJ,  
TM), European (AL, AT, BE, BG, CH, CY, CZ, DE, DK,  
EE, ES, FI, FR, GB, GR, HR, HU, IE, IS, IT, LT, LU, LV,  
MC, MK, MT, NL, NO, PL, PT, RO, RS, SE, SI, SK, SM,  
TR), OAPI (BF, BJ, CF, CG, CI, CM, GA, GN, GQ, GW,  
ML, MR, NE, SN, TD, TG).

**Published:**

- with international search report (Art. 21(3))
- before the expiration of the time limit for amending the  
claims and to be republished in the event of receipt of  
amendments (Rule 48.2(h))

- (88) Date of publication of the international search report:  
24 July 2014

(54) Title: BLOWOUT PREVENTER SEAL ASSEMBLY AND METHOD OF USING SAME



(57) Abstract: A seal assembly 223 for a blowout preventer of a wellsite is provided. The blowout preventer includes a housing and at least one component 225 operatively connectable to the housing. The housing has a bore and a channel therethrough. A tubular is positionable through the bore and engageable therein. The seal assembly 223 includes a seal plate 352, a seal carrier 354, and at least one seal 356. The seal plate 352 is operatively connectable between the housing and the at least one component of the blowout preventer, and has at least one seal groove 353 extending therein. The seal carrier 354 is disposable about a perimeter of the seal plate 352, has at least one carrier lip disposable in a seal groove(s) 353, and has at least one seal receptacle. The seal 356 is receivably positionable in the seal receptacle, and in sealing engagement with one of the housing, the component, and combinations thereof.



INTERNATIONAL SEARCH REPORT

International application No  
PCT/US2013/035990

A. CLASSIFICATION OF SUBJECT MATTER  
INV. E21B33/06  
ADD.  
According to International Patent Classification (IPC) or to both national classification and IPC

B. FIELDS SEARCHED  
Minimum documentation searched (classification system followed by classification symbols)  
E21B

Documentation searched other than minimum documentation to the extent that such documents are included in the fields searched

Electronic data base consulted during the international search (name of data base and, where practicable, search terms used)  
EPO-Internal, WPI Data

C. DOCUMENTS CONSIDERED TO BE RELEVANT

Category*	Citation of document, with indication, where appropriate, of the relevant passages	Relevant to claim No.
A	US 2004/258470 A1 (HEMPHILL EDWARD R [US] ET AL) 23 December 2004 (2004-12-23) paragraphs [0027], [0054]; figure 8 -----	1-19
A	US 5 975 484 A (BRUGMAN JAMES D [US] ET AL) 2 November 1999 (1999-11-02) column 13, line 42 - line 53; figure 14 -----	1-19
A	CA 2 409 316 A1 (FOOTE DEAN [CA]; DELBRIDGE SCOTT [CA]; DELBRIDGE CLAYTON [CA] FOOTE DE) 22 April 2004 (2004-04-22) page 3, line 31 - page 4, line 4; figures 1,2 -----	1-19
A	US 2009/151959 A1 (DARNELL DAVID TREVOR [GB] ET AL) 18 June 2009 (2009-06-18) paragraphs [0057], [0059] ----- -/--	1-19

Further documents are listed in the continuation of Box C.

See patent family annex.

\* Special categories of cited documents :

"A" document defining the general state of the art which is not considered to be of particular relevance

"E" earlier application or patent but published on or after the international filing date

"L" document which may throw doubts on priority claim(s) or which is cited to establish the publication date of another citation or other special reason (as specified)

"O" document referring to an oral disclosure, use, exhibition or other means

"P" document published prior to the international filing date but later than the priority date claimed

"T" later document published after the international filing date or priority date and not in conflict with the application but cited to understand the principle or theory underlying the invention

"X" document of particular relevance; the claimed invention cannot be considered novel or cannot be considered to involve an inventive step when the document is taken alone

"Y" document of particular relevance; the claimed invention cannot be considered to involve an inventive step when the document is combined with one or more other such documents, such combination being obvious to a person skilled in the art

"&" document member of the same patent family

Date of the actual completion of the international search  22 May 2014	Date of mailing of the international search report  04/06/2014
--	--

Name and mailing address of the ISA/ European Patent Office, P.B. 5818 Patentlaan 2 NL - 2280 HV Rijswijk Tel. (+31-70) 340-2040, Fax: (+31-70) 340-3016	Authorized officer  Schneiderbauer, K
--	---

# INTERNATIONAL SEARCH REPORT

International application No

PCT/US2013/035990

C(Continuation). DOCUMENTS CONSIDERED TO BE RELEVANT		
Category*	Citation of document, with indication, where appropriate, of the relevant passages	Relevant to claim No.
A	US 2006/243451 A1 (HEMPHILL EDWARD R [US] ET AL HEMPHILL EDWARD RYAN [US] ET AL) 2 November 2006 (2006-11-02) paragraph [0098]; figure 14 -----	1-19

# INTERNATIONAL SEARCH REPORT

Information on patent family members

International application No PCT/US2013/035990
---

Patent document cited in search report	Publication date	Patent family member(s)	Publication date	
US 2004258470	A1	23-12-2004	BR PI0410948 A	27-06-2006
			CA 2528308 A1	23-12-2004
			CN 1829851 A	06-09-2006
			EP 1642001 A2	05-04-2006
			RU 2315853 C2	27-01-2008
			US 2004258470 A1	23-12-2004
			WO 2004111379 A2	23-12-2004
-----				
US 5975484	A	02-11-1999	BR 9706468 A	05-10-1999
			FR 2757895 A1	03-07-1998
			GB 2321072 A	15-07-1998
			NO 975973 A	29-06-1998
			US 5897094 A	27-04-1999
			US 5975484 A	02-11-1999
-----				
CA 2409316	A1	22-04-2004	CA 2409316 A1	22-04-2004
			US 2004188949 A1	30-09-2004
-----				
US 2009151959	A1	18-06-2009	CA 2646662 A1	14-06-2009
			GB 2455894 A	01-07-2009
			GB 2484226 A	04-04-2012
			GB 2484227 A	04-04-2012
			GB 2484430 A	11-04-2012
			GB 2484612 A	18-04-2012
			US 2009151959 A1	18-06-2009
-----				
US 2006243451	A1	02-11-2006	AU 2007227347 A1	27-09-2007
			BR PI0711036 A2	23-08-2011
			CA 2646653 A1	27-09-2007
			CN 101415904 A	22-04-2009
			EA 200870364 A1	27-02-2009
			EP 1996790 A1	03-12-2008
			KR 20090005323 A	13-01-2009
			MY 145382 A	31-01-2012
			US 2006243451 A1	02-11-2006
			WO 2007109765 A1	27-09-2007
-----				