



US00D824882S

(12) **United States Design Patent**
Zheng et al.

(10) **Patent No.:** **US D824,882 S**

(45) **Date of Patent:** **** Aug. 7, 2018**

(54) **GIMBAL WITH HANDLE**

4,864,335 A 9/1989 Corrales
5,021,813 A 6/1991 Corrales
D320,995 S 10/1991 Fukuda et al.
D420,004 S 2/2000 Haney
6,366,672 B1 4/2002 Tsay

(71) Applicant: **SZ DJI Osmo Technology Co., Ltd.**,
Shenzhen (CN)

(72) Inventors: **Haibin Zheng**, Shenzhen (CN); **Min Kim**, Shenzhen (CN)

(Continued)

(73) Assignee: **SZ DJI Osmo Technology Co., Ltd.**,
Shenzhen (CN)

FOREIGN PATENT DOCUMENTS

CN 303127592 S 3/2015
CN 303320443 S 8/2015

(**) Term: **15 Years**

(Continued)

(21) Appl. No.: **29/618,610**

OTHER PUBLICATIONS

(22) Filed: **Sep. 22, 2017**

<http://news.mynavi.jp/news/2015/01/19/177/>; dated Jan. 19, 2015.

(Continued)

Related U.S. Application Data

(63) Continuation of application No. 29/601,445, filed on Apr. 21, 2017, now Pat. No. Des. 799,447, which is a continuation of application No. 29/566,534, filed on May 31, 2016, now Pat. No. Des. 794,606.

Primary Examiner — Mitchell I. Siegel

Assistant Examiner — Khawaja Anwar

(74) *Attorney, Agent, or Firm* — Sterne, Kessler, Goldstein & Fox P.L.L.C.

(51) **LOC (11) Cl.** **14-03**

(52) **U.S. Cl.**

(57) **CLAIM**

The ornamental design for a gimbal with handle, as shown and described.

USPC **D14/217**

(58) **Field of Classification Search**

USPC D14/217, 253, 251, 252, 447, 451, 452, D14/440, 434, 458, 432, 439, 453, 460, D14/238.1, 140, 142, 149, 148; D13/107, D13/108, 218; D16/200–208
CPC G03B 15/00; G03B 15/03; G03B 17/02; G03B 17/04; G03B 17/56; G03B 19/04; H04N 5/2251; H04N 5/2252; H04N 5/2253; H04N 5/2254; H04N 2101/00; F16M 11/04; F16M 13/00

DESCRIPTION

FIG. 1 is a top front perspective view of a gimbal with handle showing the claimed design;
FIG. 2 is a top rear perspective view thereof;
FIG. 3 is a front view thereof;
FIG. 4 is a rear view thereof;
FIG. 5 is a right side view thereof;
FIG. 6 is a left side view thereof;
FIG. 7 is a top view thereof; and,
FIG. 8 is a bottom view thereof.

See application file for complete search history.

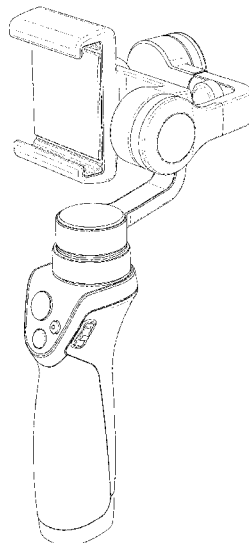
The broken lines in the figures show portions of the gimbal with handle that form no part of the claimed design.

(56) **References Cited**

U.S. PATENT DOCUMENTS

3,810,647 A 5/1974 Martchenke
D276,621 S 12/1984 Hanke

1 Claim, 7 Drawing Sheets



(56)

References Cited

U.S. PATENT DOCUMENTS

6,923,686 B1 8/2005 Cheng
 7,158,092 B2 1/2007 Shen
 D580,474 S 11/2008 Lee et al.
 D590,867 S 4/2009 Schenone et al.
 D618,222 S 6/2010 Kallas et al.
 D619,586 S 7/2010 Richter
 D626,541 S 11/2010 Kim et al.
 8,087,625 B2 1/2012 Chang
 D670,284 S 11/2012 Choi
 D678,387 S 3/2013 Stump et al.
 D688,674 S 8/2013 Lau et al.
 D690,707 S 10/2013 Minn et al.
 D709,074 S 7/2014 Tsui et al.
 8,780,263 B2 7/2014 Orf
 D710,424 S 8/2014 Hallgren
 D713,398 S 9/2014 Alesi et al.
 D715,790 S 10/2014 Conomos et al.
 D715,791 S 10/2014 Yu
 D716,888 S 11/2014 Dolezel et al.
 D720,344 S 12/2014 Yu
 8,915,660 B1 12/2014 Ben Yehuda et al.
 D727,333 S 4/2015 Shih et al.
 D730,429 S 5/2015 Anari et al.
 D732,519 S 6/2015 Aspinall et al.
 D733,115 S 6/2015 Aspinall et al.
 9,203,946 B2 12/2015 Zajeski et al.
 D747,399 S 1/2016 Stump et al.
 D753,126 S 4/2016 Alesi et al.
 D753,205 S 4/2016 Stark
 D754,778 S 4/2016 Terashita
 D759,335 S 6/2016 Kim et al.
 D765,646 S 9/2016 Deng et al.
 D765,651 S 9/2016 Liu et al.
 D766,230 S 9/2016 Shepard
 D767,556 S 9/2016 Lee
 D768,125 S 10/2016 Kim
 D769,235 S 10/2016 Li
 D769,860 S 10/2016 Xiao
 D773,449 S 12/2016 Mellano et al.
 D777,720 S 1/2017 Russell
 D779,579 S 2/2017 Anari et al.
 D779,580 S 2/2017 Jia
 D780,245 S 2/2017 Ruback et al.
 D780,743 S 3/2017 Chun
 D780,825 S 3/2017 Kim
 D783,012 S 4/2017 Lee
 D783,013 S 4/2017 Chun
 D783,014 S 4/2017 Chun
 D783,592 S 4/2017 Ju
 D784,997 S 4/2017 Cheng et al.
 D785,073 S 4/2017 Wang et al.
 D787,499 S 5/2017 Lee et al.
 D791,760 S 7/2017 Kim
 D794,606 S * 8/2017 Zheng D14/217
 D796,482 S * 9/2017 Zheng D14/217
 D799,447 S * 10/2017 Zheng D14/217
 D799,448 S * 10/2017 Zheng D14/217
 2005/0257352 A1 11/2005 Carnevali
 2006/0285844 A1 12/2006 Hershenzon
 2008/0242154 A1 10/2008 Dixon et al.
 2009/0308993 A1 12/2009 Chang
 2010/0237206 A1 9/2010 Barker
 2014/0071339 A1 3/2014 Baker
 2014/0097306 A1 4/2014 Hale et al.
 2014/0176062 A1 6/2014 Jung
 2015/0071627 A1 3/2015 Hoang
 2015/0077630 A1 3/2015 Miller
 2015/0090849 A1 4/2015 Breitweiser et al.
 2015/0191124 A1 7/2015 Du
 2015/0261070 A1 9/2015 Feng et al.
 2015/0261075 A1 9/2015 Overall
 2015/0323856 A1* 11/2015 Nordhaug F16M 13/04
 348/208.7
 2015/0346590 A1 12/2015 Lewis

2016/0088748 A1* 3/2016 Lin F16M 11/14
 248/371
 2016/0288730 A1* 10/2016 Lee B60R 11/02
 2016/0309080 A1* 10/2016 Chu H04N 5/23219
 2016/0381271 A1* 12/2016 Cheng F16M 11/041
 348/208.2
 2017/0037995 A1* 2/2017 Pan F16M 11/18
 2017/0146892 A1* 5/2017 Wei F16M 11/045
 2017/0227162 A1* 8/2017 Saika F16M 13/02

FOREIGN PATENT DOCUMENTS

CN 303320450 S 8/2015
 CN 303348679 S 8/2015
 CN 303440091 S 11/2015
 CN 303509498 S 12/2015
 CN 303572923 S 1/2016
 CN 303612732 S 3/2016
 CN 303648342 S 4/2016
 CN 303805800 8/2016
 CN 303806285 S 8/2016
 CN 303933788 S 11/2016
 HU 92390-0001 1/2016
 JP D1141667 5/2002
 JP D1208203 6/2004
 JP D1420793 8/2011
 JP D1453628 10/2012
 KR 30-0790778 4/2015
 KR 30-0792883 4/2015
 KR 30-0818012 10/2015
 KR 30-0831427 12/2015
 KR 30-0873632 9/2016
 KR 30-0879205 11/2016
 KR 30-0884489 12/2016

OTHER PUBLICATIONS

<http://news.mynavi.jp/photo/news/2015/01/19/177/images/0011.jpg>; dated Jan. 19, 2015.
<http://news.mynavi.jp/photo/news/2015/01/19/177/images/0041.jpg>; dated Jan. 19, 2015.
<http://news.mynavi.jp/photo/news/2015/01/19/177/images/0051.jpg>; dated Jan. 19, 2015.
<http://news.mynavi.jp/photo/news/2015/01/19/177/images/0121.jpg>; dated Jan. 19, 2015.
<http://k-tai.watch.impress.co.jp/docs/column/stapa/687357.html>; dated Feb. 9, 2015.
 “Swiftcam M3 Auto-stabilizing Hand Held Holder Gimbal for Smartphone Mobile Phone,” ebay, <URL: <http://www.ebay.com/itm/Swiftcam-M3-Auto-stabilizing-Hand-Held-Holder-Gimbal-For-Smartphone-Mobile-Phone-/181421925183>>; date accessed: Apr. 25, 2017.
 “WenPod SP2 Digital Stabilizer Gimbal Smart Phone Holder,” zapals, <URL: <https://www.zapals.com/wenpod-sp2-digital-stabilizer-gimbal-smart-phone-holder.html>>; date accessed: Apr. 25, 2017.
 “Smartphone Mount Holder for Feiyu Tech G3 Ultra 2/3-Axis Steadycam Handheld Gimbal Stabilizer Phone Holder,” Bigup Gadgets, <URL: <http://bigupgadgets.com/smartphone-mount-holder-for-feiyu-tech-g3-ultra-2-3-axis-steadycam-handheld-gimbal-stabilizer-phone-holder.html>>, dated accessed: Apr. 25, 2017.
 DJI Osmo Handheld 4K Camera. [online] Published date Sep. 20, 2016. Retrieved on Jun. 19, 2017 from <URL: https://www.amazon.ca/DJI-Handheld-Camera-3-Axis-Starters/dp/801LYK5634/ref=sr_1_fkmr0_1?s=electronics&ie=UTF8&qid=1497890103&sr=1-1-fkmr9&keywords=DJI+CP.ZM.000425+Handheld>.
 Top 10 Best video stabilizers for iPhone in 2017. [online] Published date May 10, 2017. Retrieved on Jun. 19, 2017 from <URL: <https://filmora.wondershare.com/video-editing-tips/best-video-stabilizers-for-iphone.html>>.
 U.S. Appl. No. 29/540,667, filed Sep. 25, 2015.
 U.S. Appl. No. 29/548,624, filed Dec. 15, 2015.
 U.S. Appl. No. 29/575,754, filed Sep. 25, 2015.

(56)

References Cited

OTHER PUBLICATIONS

U.S. Appl. No. 29/575,749, filed Dec. 15, 2015.

* cited by examiner

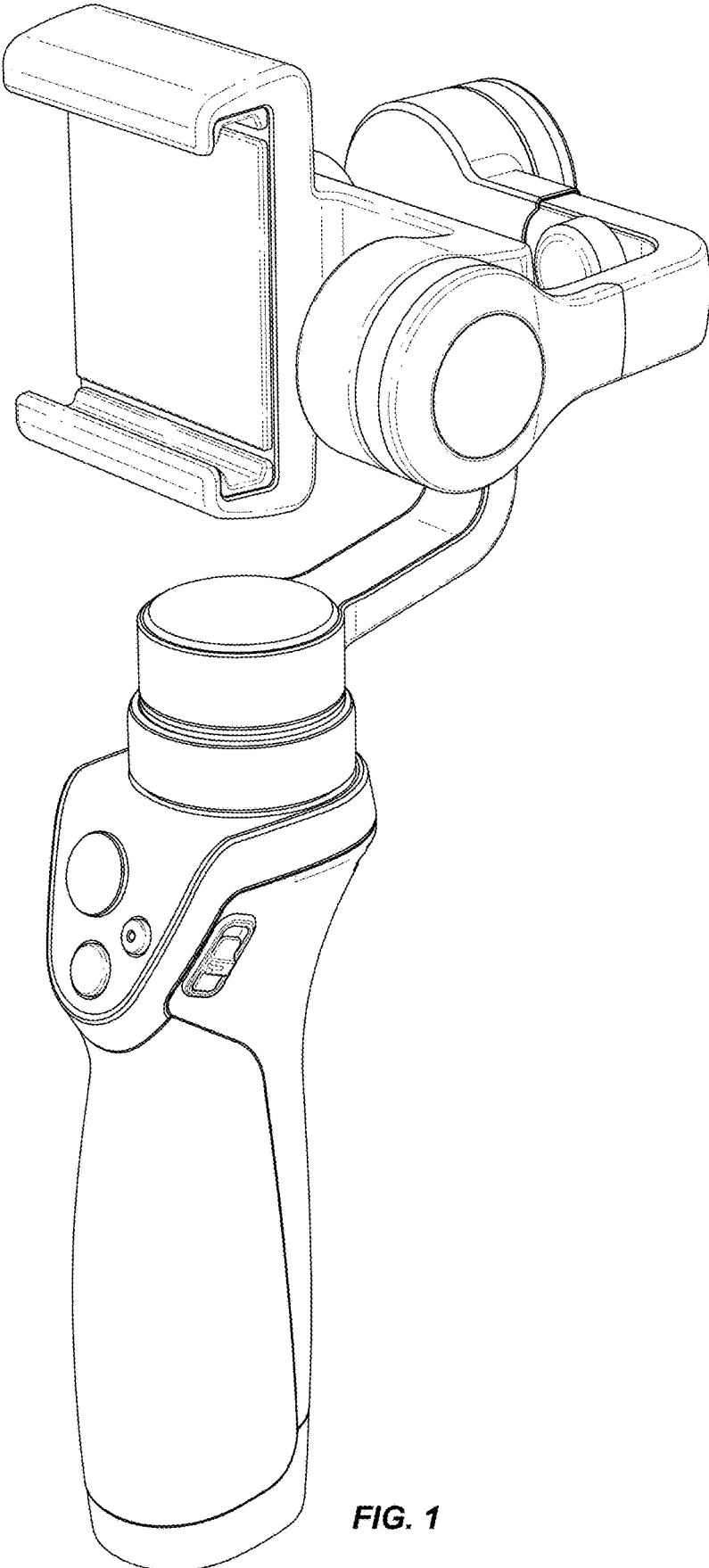


FIG. 1

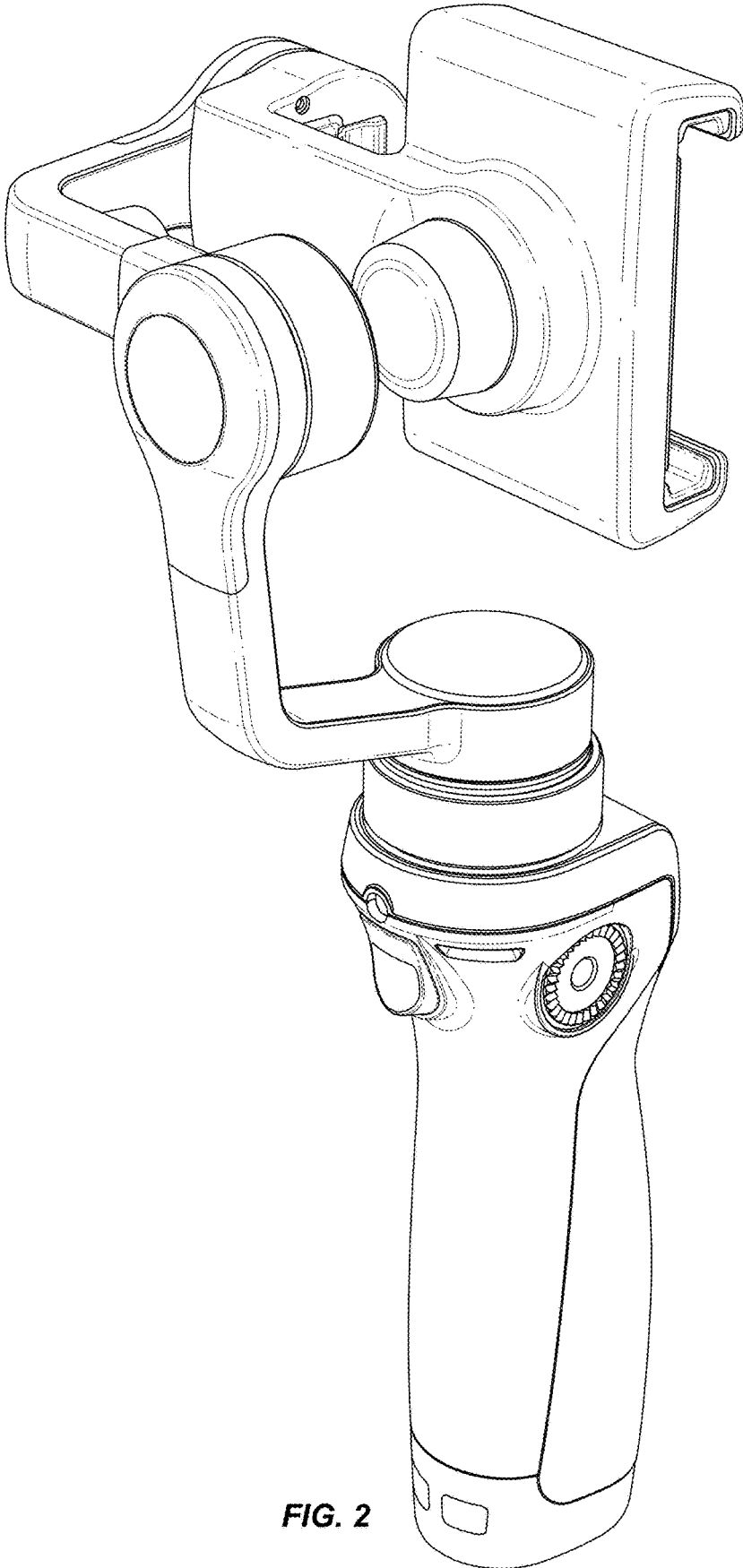


FIG. 2

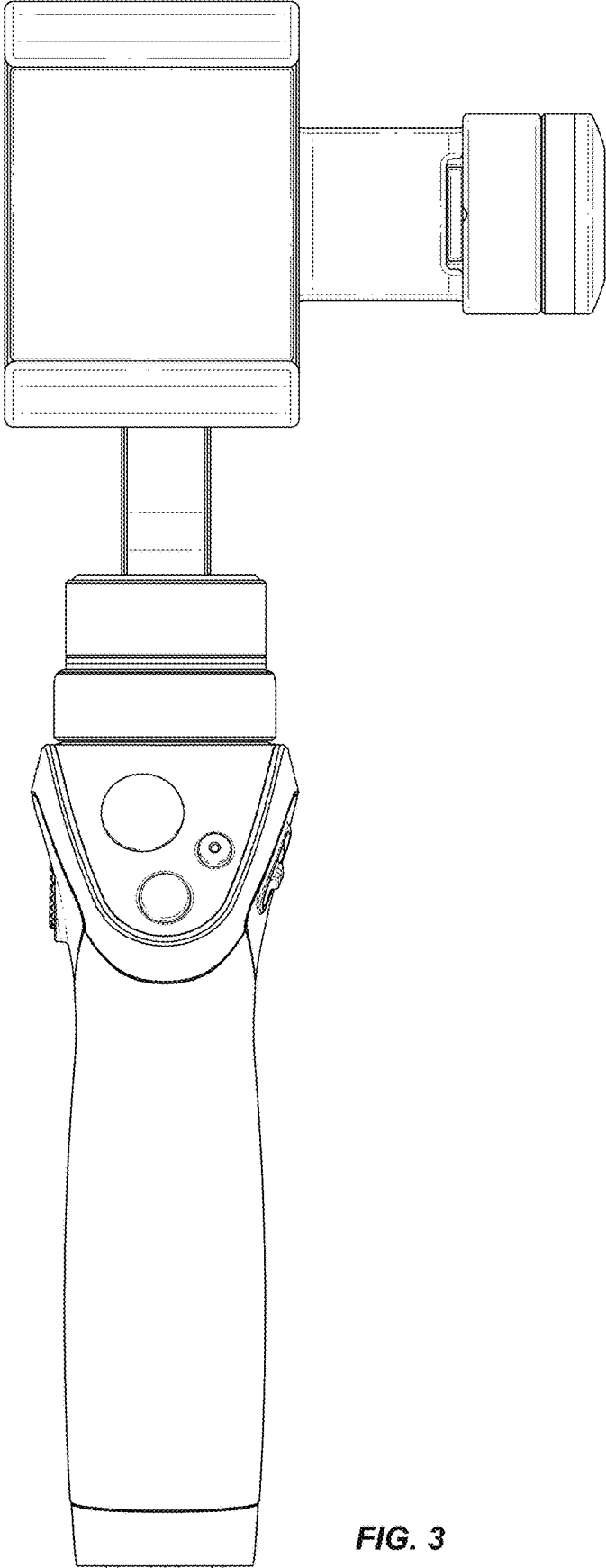


FIG. 3

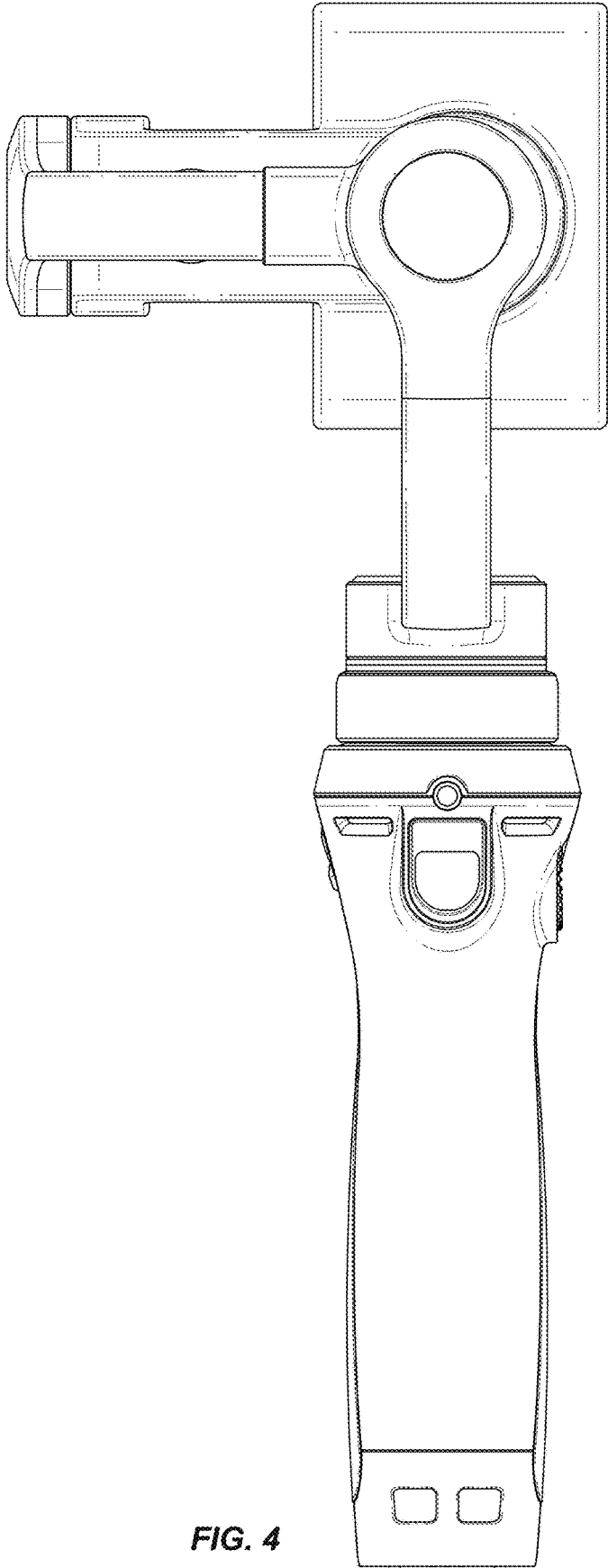


FIG. 4

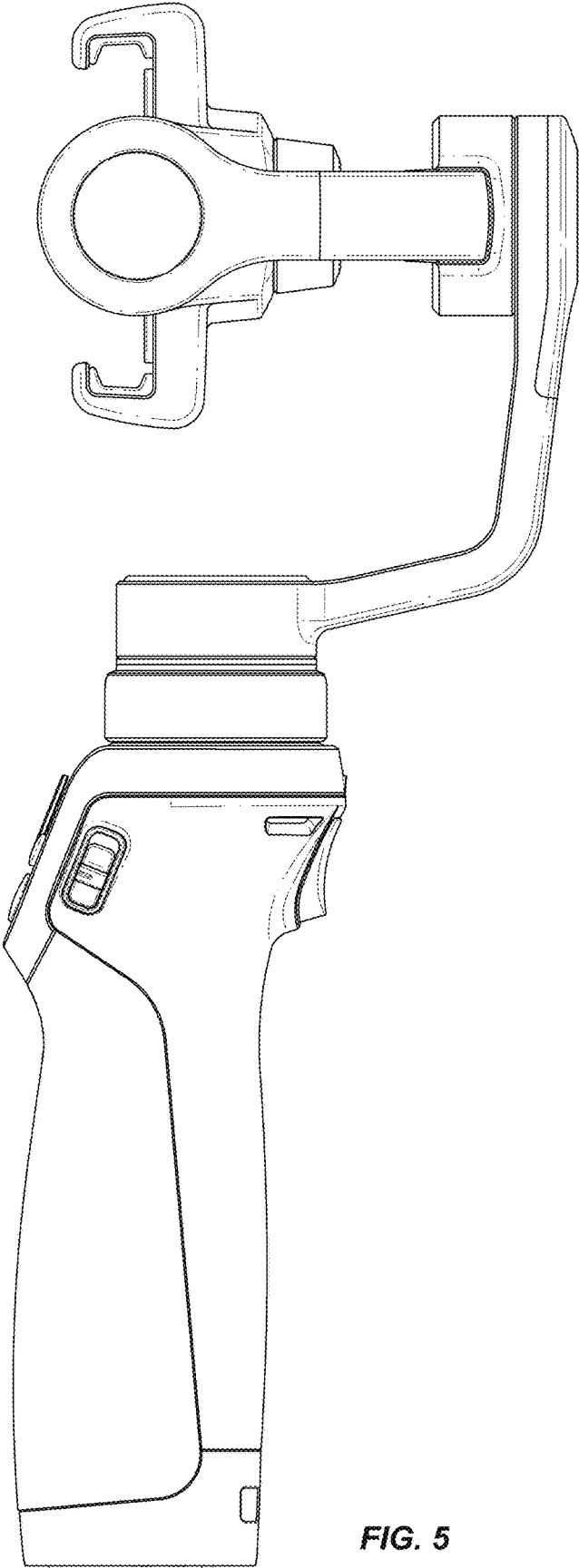


FIG. 5

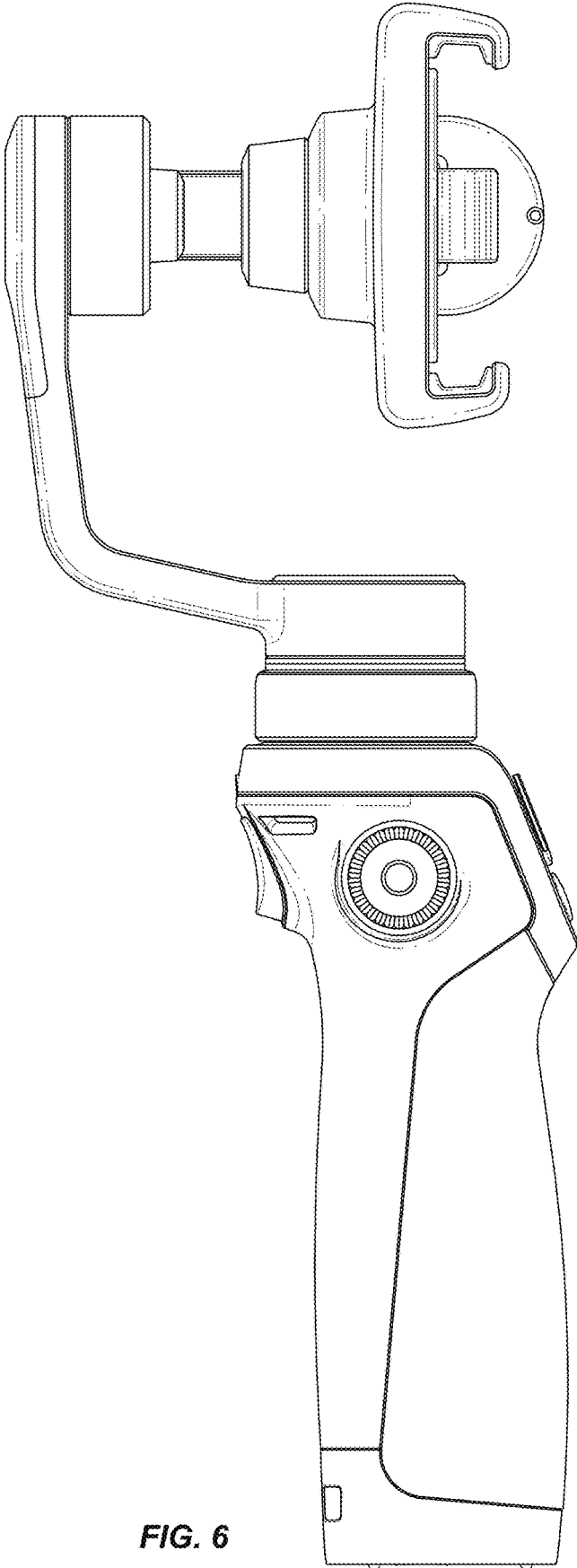


FIG. 6

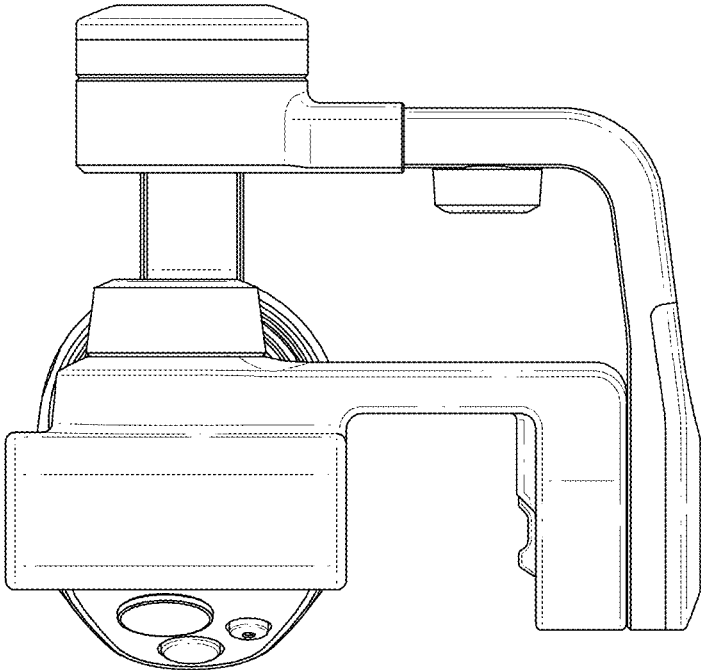


FIG. 7

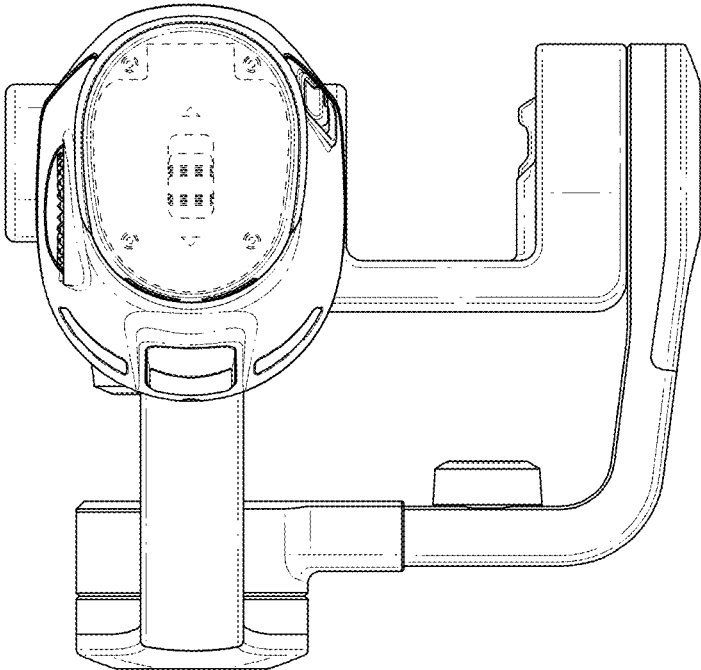


FIG. 8