



US00D840925S

(12) **United States Design Patent**  
**Tschopp et al.**

(10) **Patent No.:** **US D840,925 S**

(45) **Date of Patent:** **\*\* Feb. 19, 2019**

- (54) **ELECTRICAL DEVICE**
- (71) Applicant: **Black & Decker Inc.**, New Britain, CT (US)
- (72) Inventors: **Tylan A. Tschopp**, Baltimore, MD (US); **Jonathan P. Kirkpatrick**, Baldwin, MD (US)
- (73) Assignee: **BLACK & DECKER INC.**, New Britain, CT (US)

D664,499	S	*	7/2012	Workman	.....	D13/107
D695,680	S	*	12/2013	Workman	.....	D13/103
D711,319	S	*	8/2014	Wilcox	.....	D13/116
D762,165	S	*	7/2016	Rowe	.....	D13/103
D773,992	S	*	12/2016	Krantz	.....	D13/110
D785,567	S	*	5/2017	Abena	.....	D13/119
D793,338	S	*	8/2017	Zheng	.....	D13/102
D813,161	S	*	3/2018	Ortakales	.....	D13/110
D815,039	S	*	4/2018	Wen	.....	D13/110
2001/0043052	A1	*	11/2001	Griffey	.....	H02J 7/0042
						320/114
2005/0225288	A1	*	10/2005	Cole, Jr.	.....	H01M 2/1022
						320/114

(\*\*) Term: **15 Years**

\* cited by examiner

(21) Appl. No.: **29/587,100**

*Primary Examiner* — Rosemary K Tarcza

(22) Filed: **Dec. 9, 2016**

*Assistant Examiner* — Nathaniel D. Buckner

(51) **LOC (11) Cl.** ..... **13-02**

(74) *Attorney, Agent, or Firm* — Adan Ayala

(52) **U.S. Cl.**

USPC ..... **D13/107**

(58) **Field of Classification Search**

(57) **CLAIM**

USPC ..... D13/102–110, 118–119, 184, 199;  
D14/356, 432

The ornamental design for an electrical device, as shown and described.

CPC ..... Y02E 60/10; Y02E 60/12; Y02E 60/122;  
Y02E 60/124; Y02E 60/50; H01M 2/02;  
H01M 2/022; H01M 2/0202; H01M  
2/0207; H01M 2/0212; H01M 2/1061;  
H01M 2/1022; H01M 2/1055; H01M  
2/1066; H01M 2/105; H01M 2/20; H01M  
2/204; H01M 2/206; H01M 10/44; H01M  
10/46; H01M 10/465; H01M 10/482;  
H01M 2200/30; H01M 2250/30; H01M  
2250/40; H02J 7/00; H02J 7/0003; H02J  
7/0011; H02J 7/0013; H02J 7/0054; H02J  
7/0055; H02J 7/0057; H02J 2007/0062

**DESCRIPTION**

See application file for complete search history.

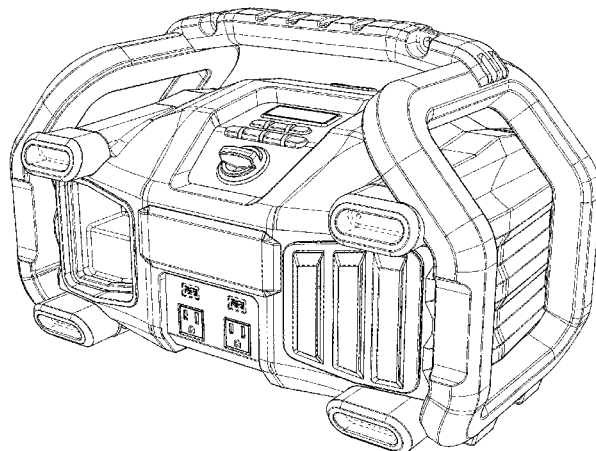
FIG. 1 is a front perspective view of an electrical device showing our new design;  
FIG. 2 is a rear perspective view thereof;  
FIG. 3 is a front elevation view thereof;  
FIG. 4 is a rear elevation view thereof;  
FIG. 5 is a right side elevation view thereof;  
FIG. 6 is a left side elevation view thereof;  
FIG. 7 is a top plan view thereof; and,  
FIG. 8 is a bottom plan view thereof.  
The broken lines in the figures depict portions of the article which form no part of the claimed design.

(56) **References Cited**

**U.S. PATENT DOCUMENTS**

- 7,332,889 B2 \* 2/2008 Glasgow ..... H02J 7/0045  
320/107
- D654,023 S \* 2/2012 Kyle Ching Hao ..... D13/110

**1 Claim, 8 Drawing Sheets**



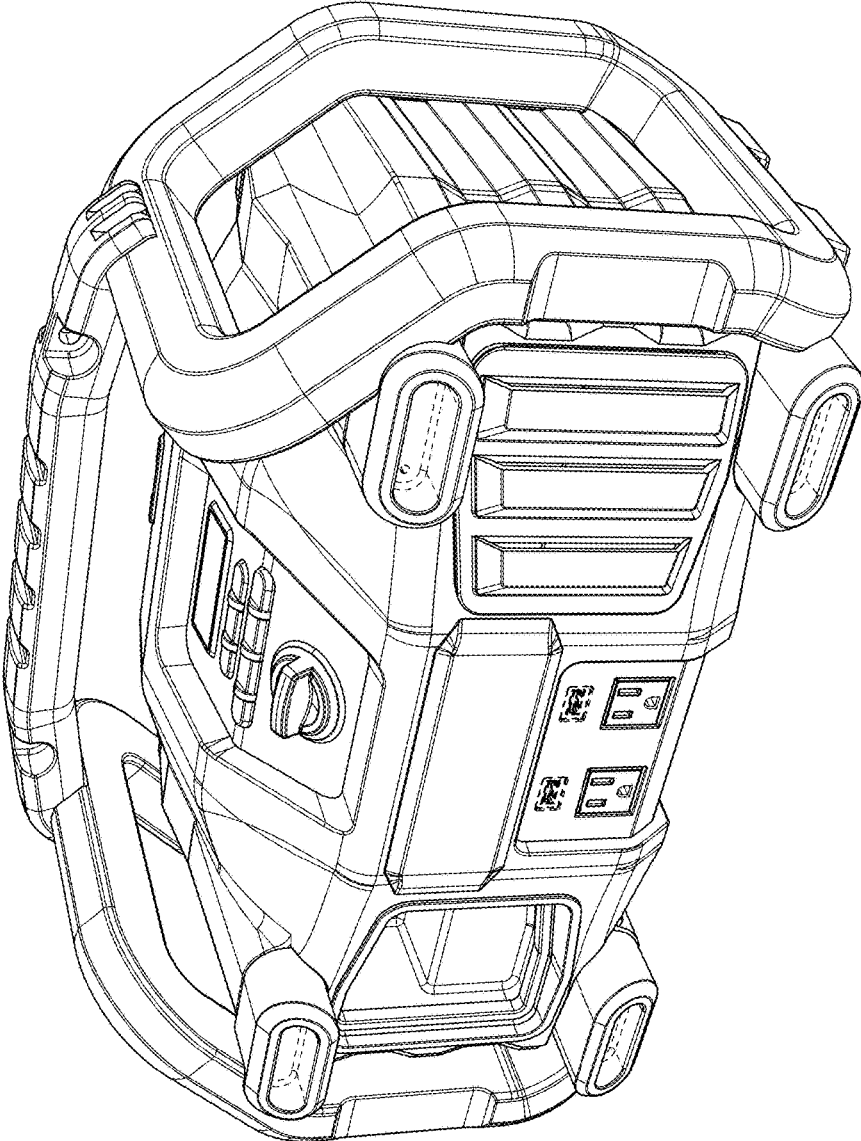


FIG. 1

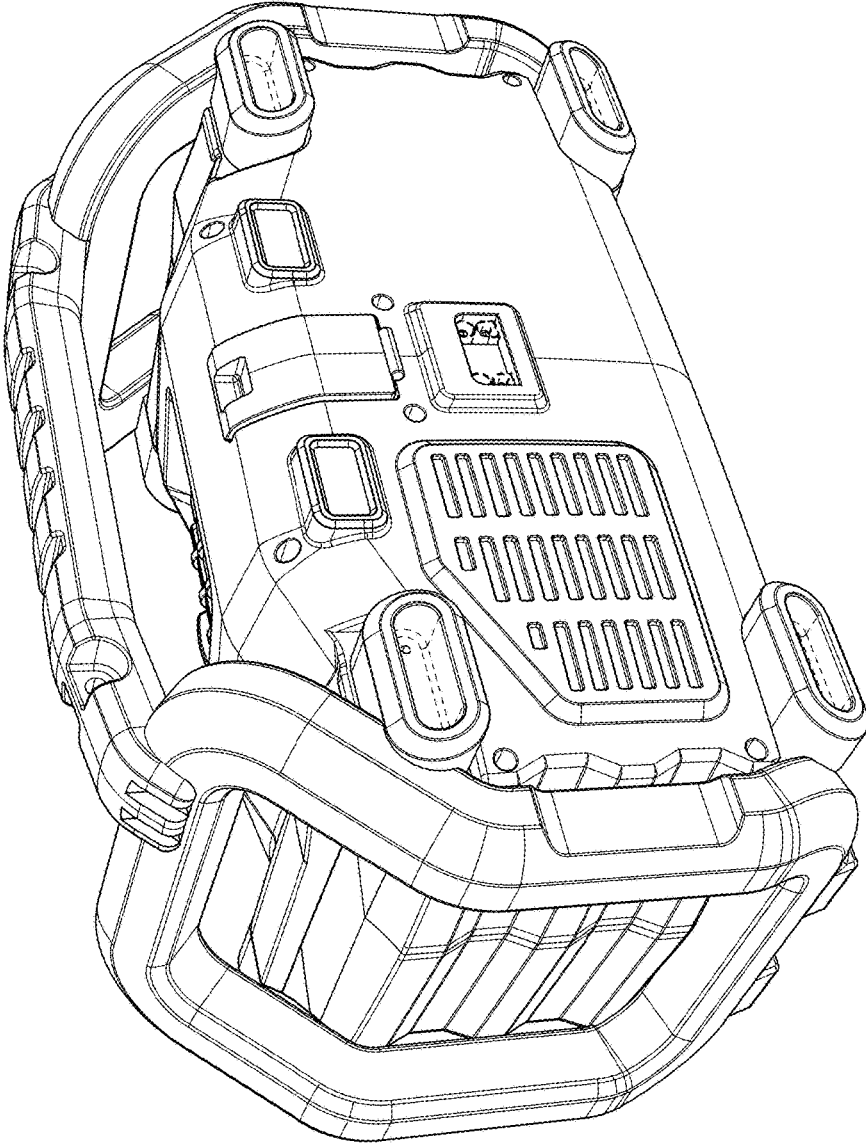


FIG. 2

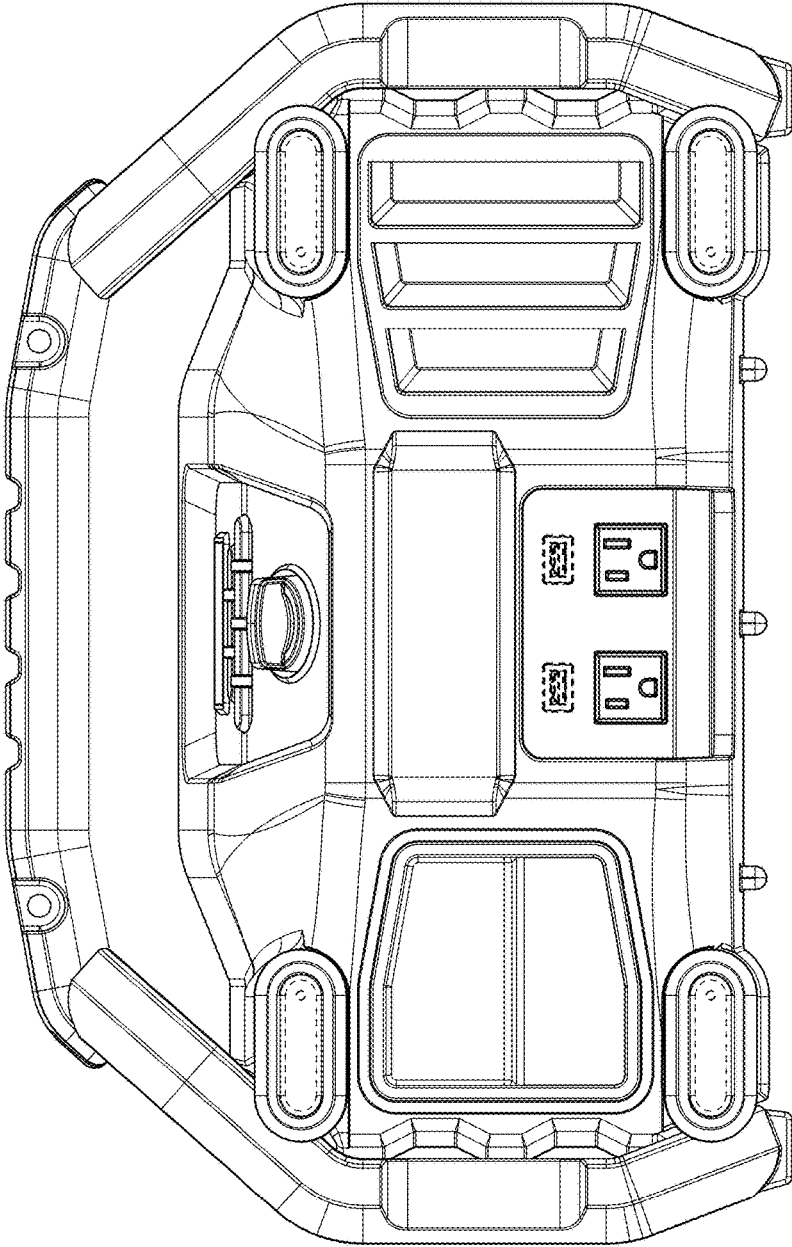


FIG. 3

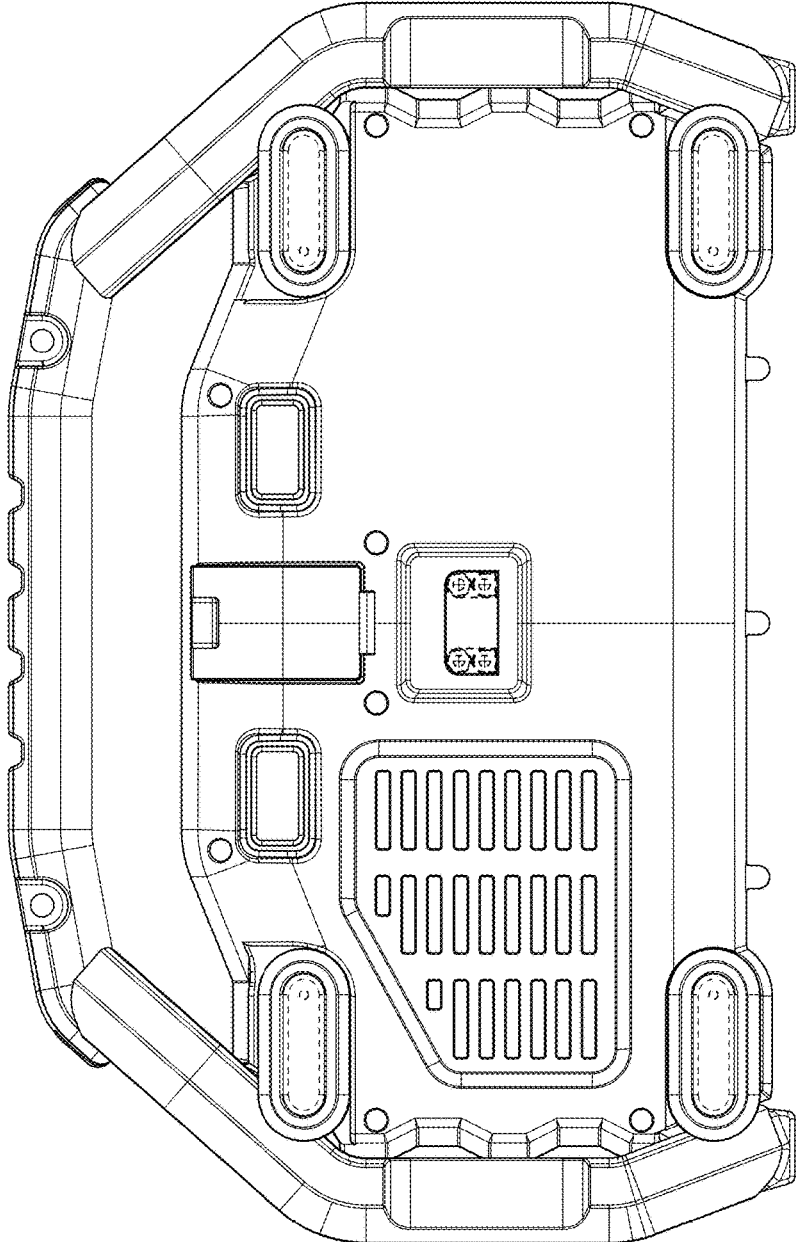


FIG. 4

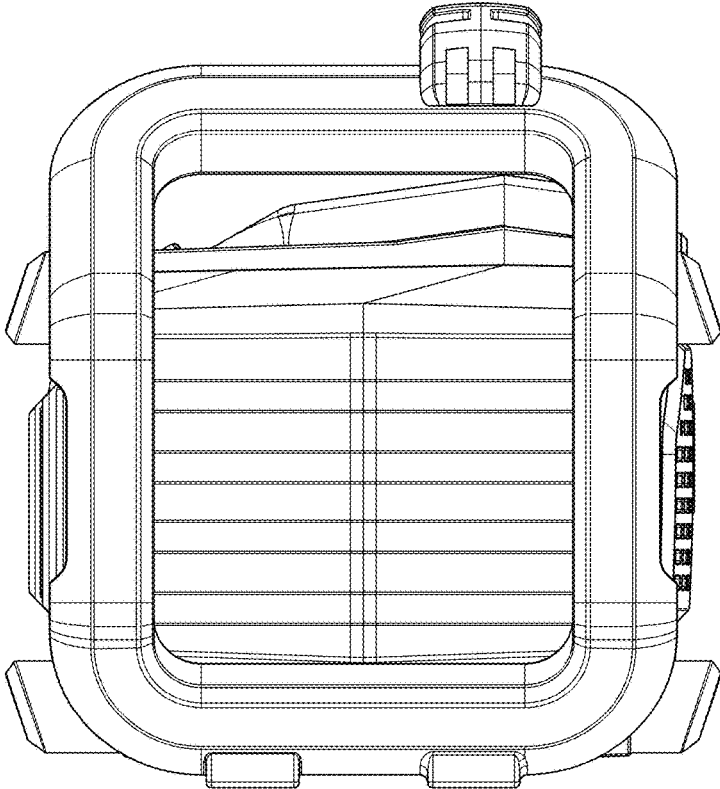


FIG. 5

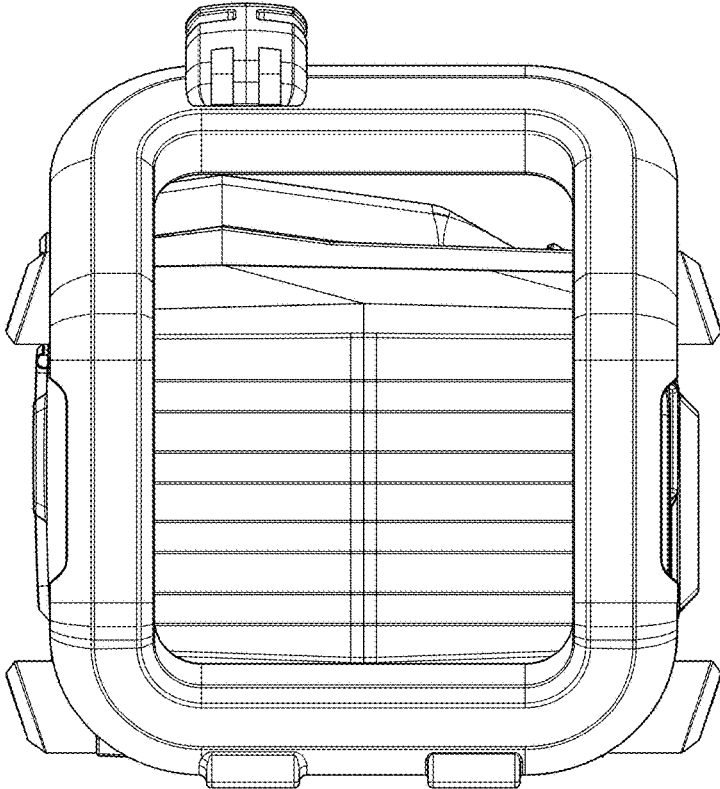


FIG. 6

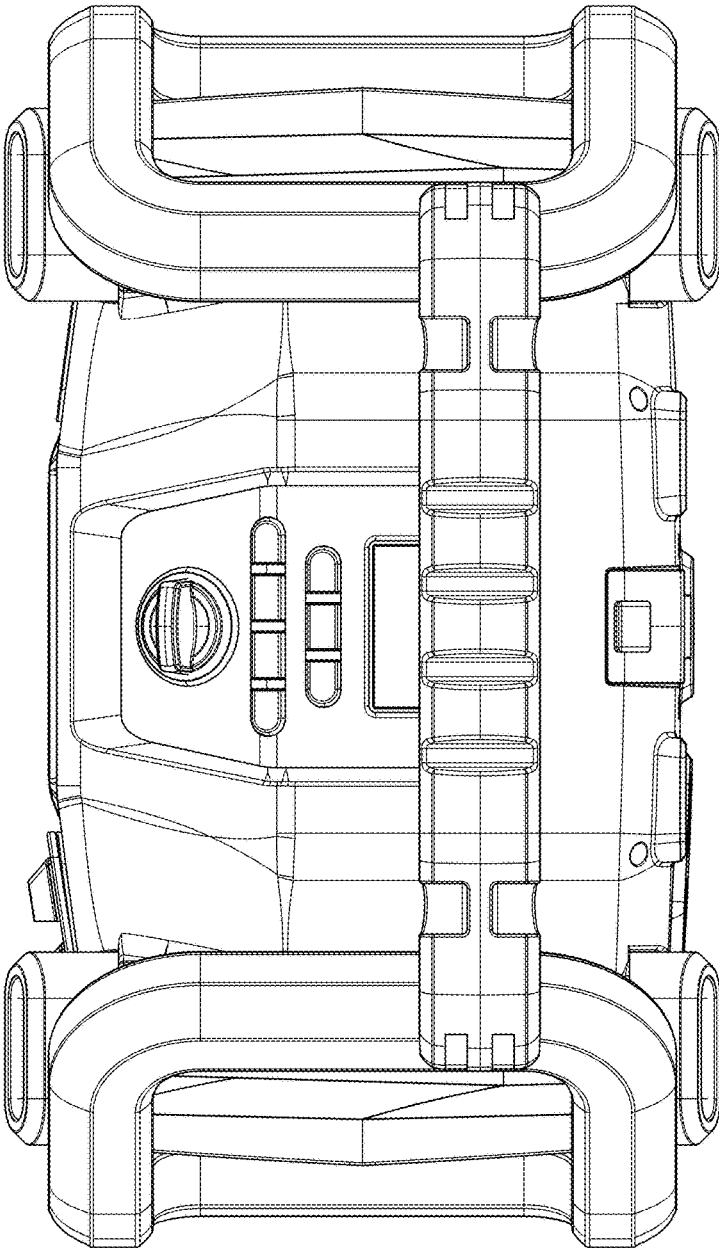


FIG. 7



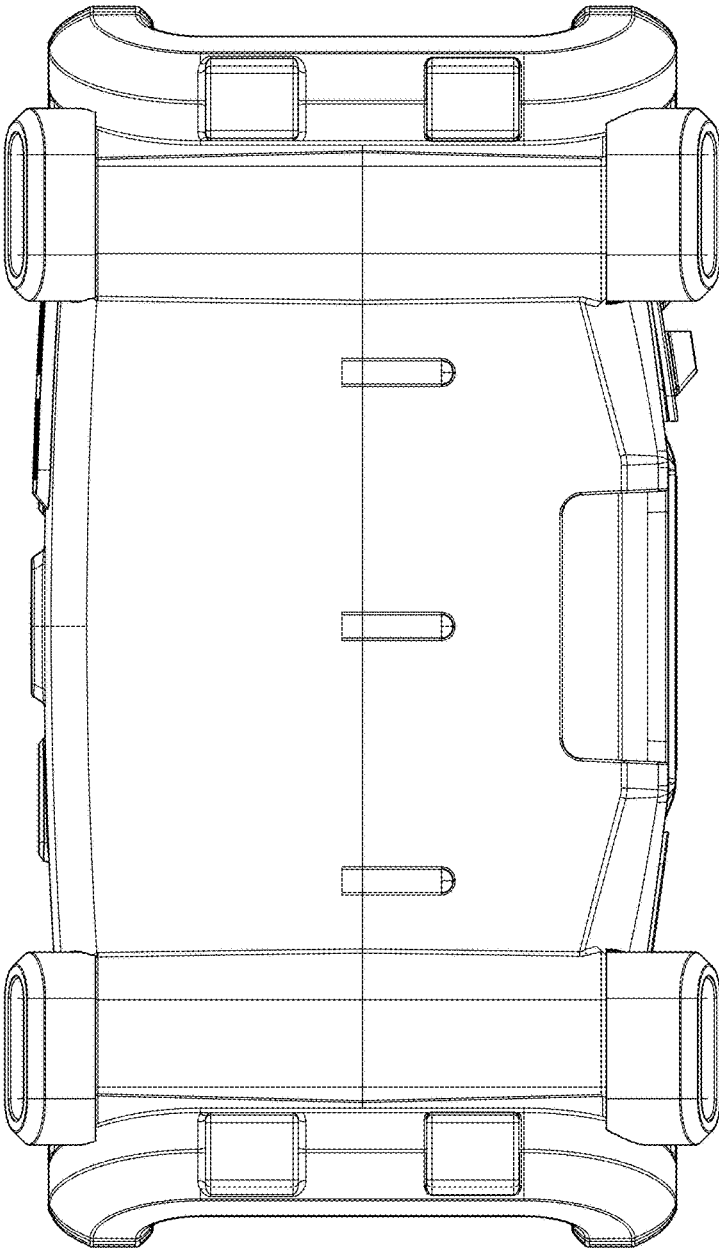


FIG. 8