



US00D461990S

(12) **United States Design Patent** (10) **Patent No.:** **US D461,990 S**
Hussaini et al. (45) **Date of Patent:** **** Aug. 27, 2002**

(54) **STAND AND STORAGE CONSOLE**

6,098,817 A * 8/2000 Moore 211/41.12

(75) Inventors: **Saied Hussaini; Marc Iacovelli**, both of Miami, FL (US)

* cited by examiner

(73) Assignee: **Intec, Inc.**, Miami, FL (US)

Primary Examiner—Cathron C. Brooks
(74) *Attorney, Agent, or Firm*—Liniak, Berenato, Longacre & White

(**) Term: **14 Years**

(57) **CLAIM**

(21) Appl. No.: **29/146,599**

The ornamental design for a stand and storage console, as shown and described.

(22) Filed: **Aug. 14, 2001**

DESCRIPTION

(51) **LOC (7) Cl.** **06-04**

(52) **U.S. Cl.** **D6/629**

(58) **Field of Search** D6/407, 629, 630, D6/631, 410-415, 449, 458, 459, 460-468; 108/59, 76, 91, 92, 102, 106, 108, 132; 206/307, 307.1, 308.1, 310, 387.15; 211/13.1, 34, 36-38, 40-41.12, 55-58, 74, 77, 78, 85.6, 126.9, 134, 144, 163, 181.1, 194; 312/9.1, 9.47-9.64, 348.3

FIG. 1 is a Top View of the stand and storage console according to the present invention.
FIG. 2 is a bottom view of the stand and storage console of FIG. 1.
FIG. 3 is a front view of the stand and storage console of FIG. 1.
FIG. 4 is a rear view of the stand and storage console of FIG. 1.
FIG. 5 is a right side view of the stand and storage console of FIG. 1.
FIG. 6 is a left side view of the stand and storage console of FIG. 1; and,
FIG. 7 is a front elevational perspective view of the stand and storage console of FIG. 1.

(56) **References Cited**

U.S. PATENT DOCUMENTS

4,257,524 A	*	3/1981	Yonkers et al.	D6/629
D287,440 S	*	12/1986	Taylor	D6/407
4,684,027 A	*	8/1987	Wright	211/40
D335,976 S	*	6/1993	Brown	D6/467
D427,835 S	*	7/2000	Tisbo	D6/629

1 Claim, 5 Drawing Sheets

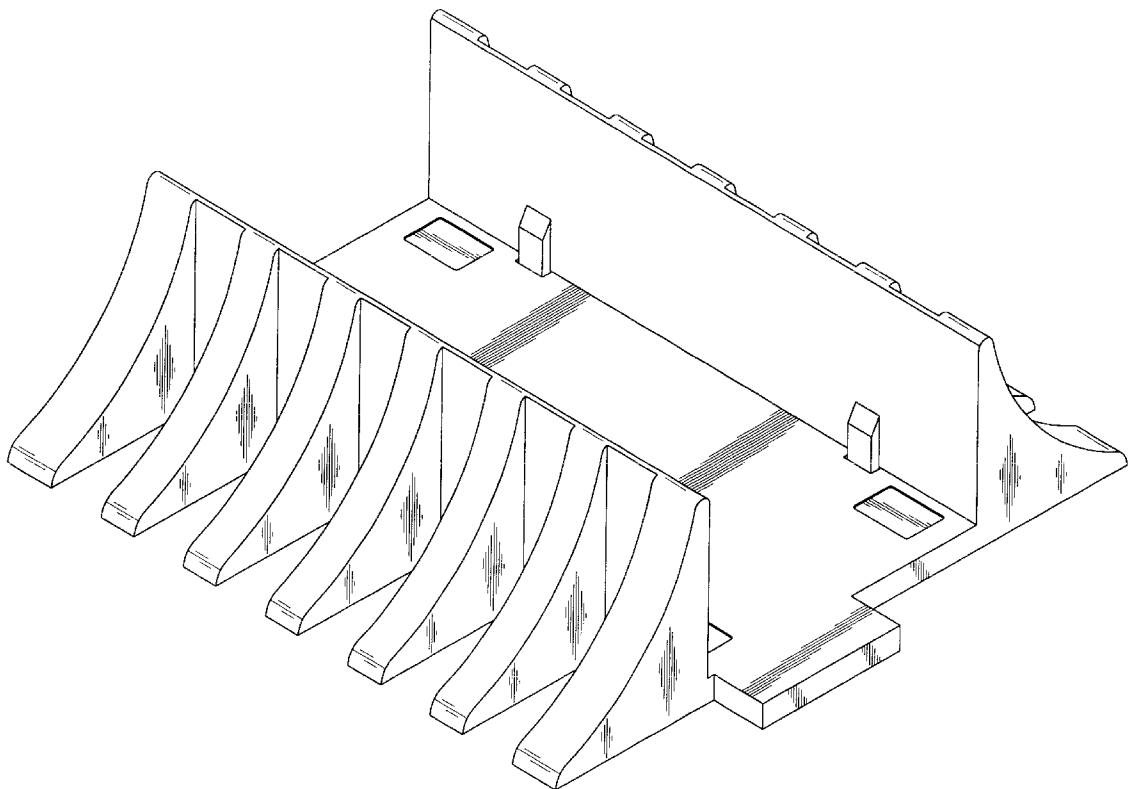


Fig. 1

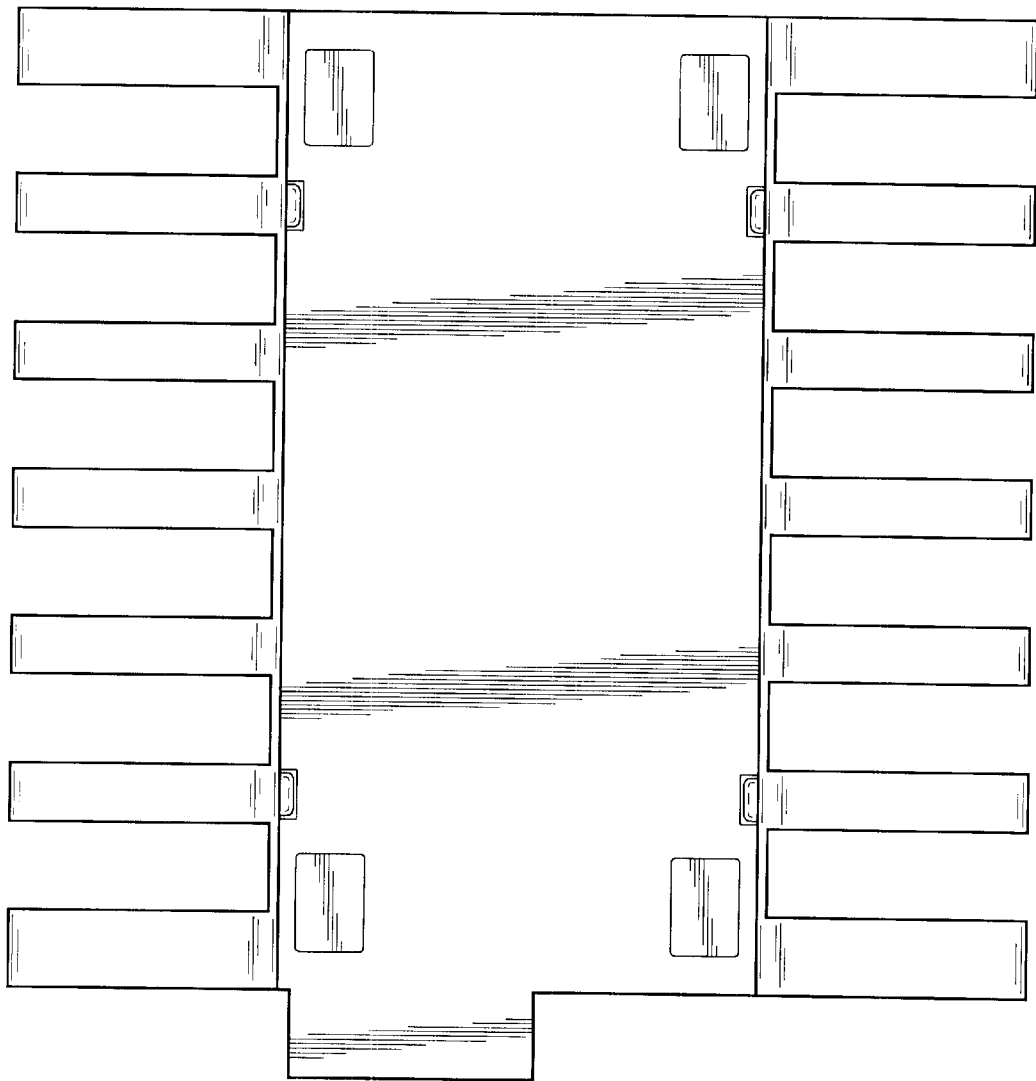


Fig. 2

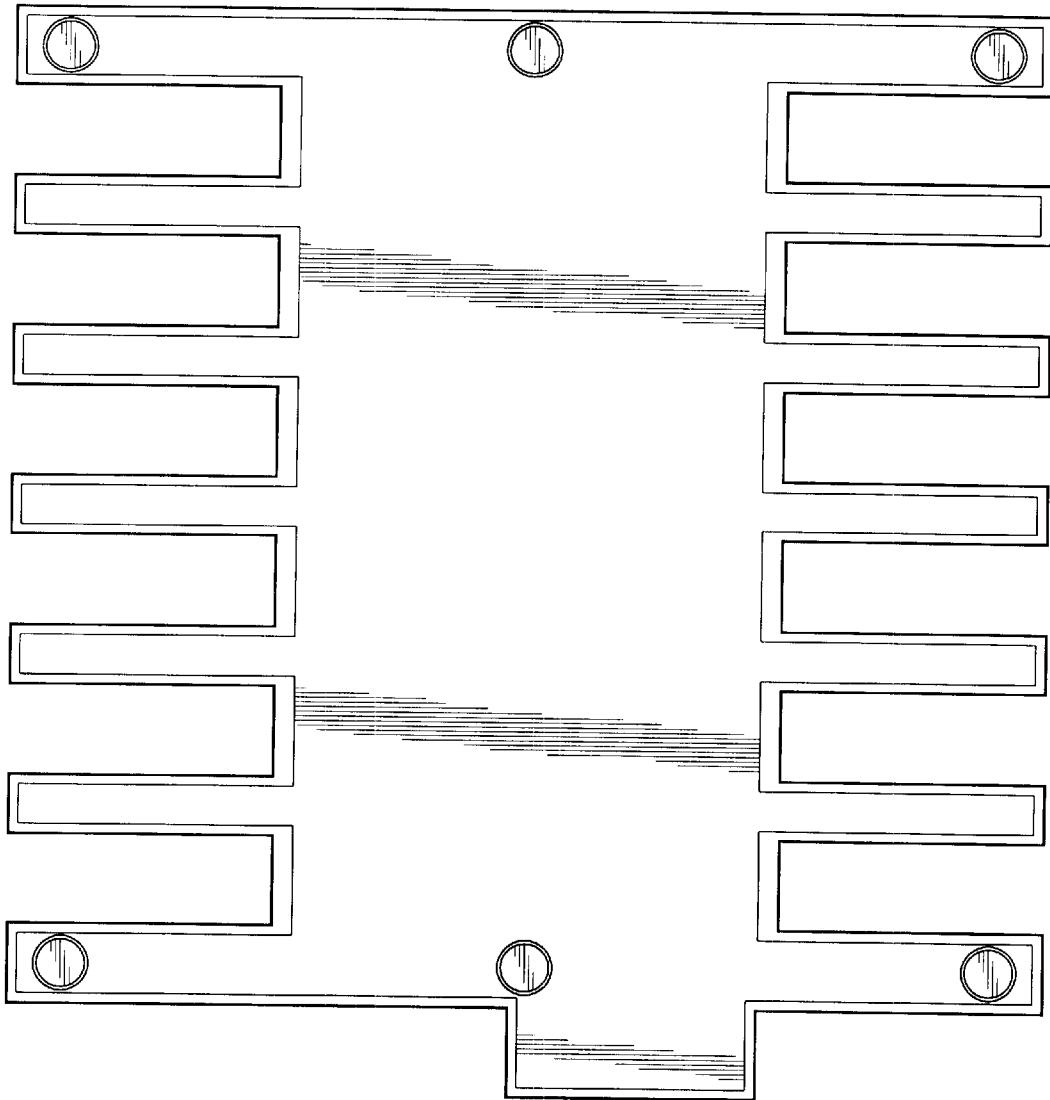


Fig. 3

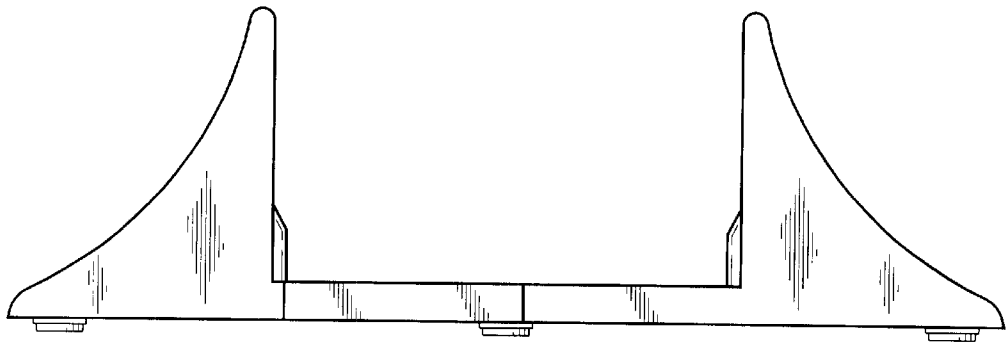


Fig. 4

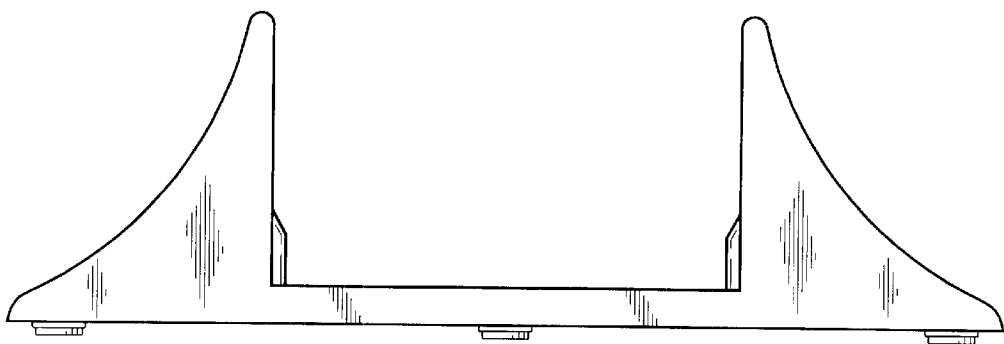


Fig. 5

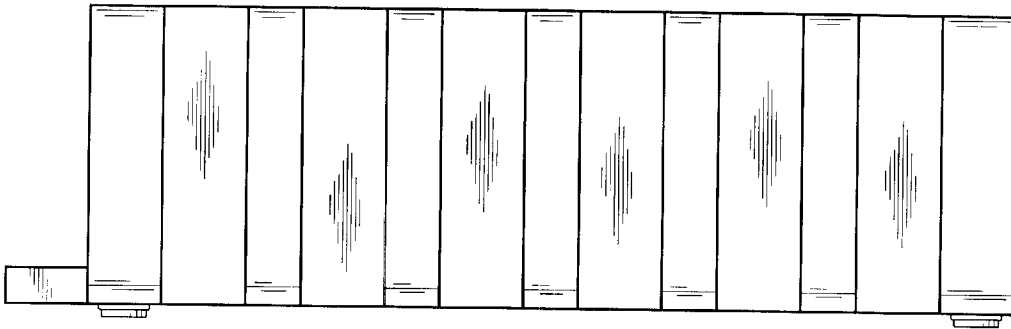
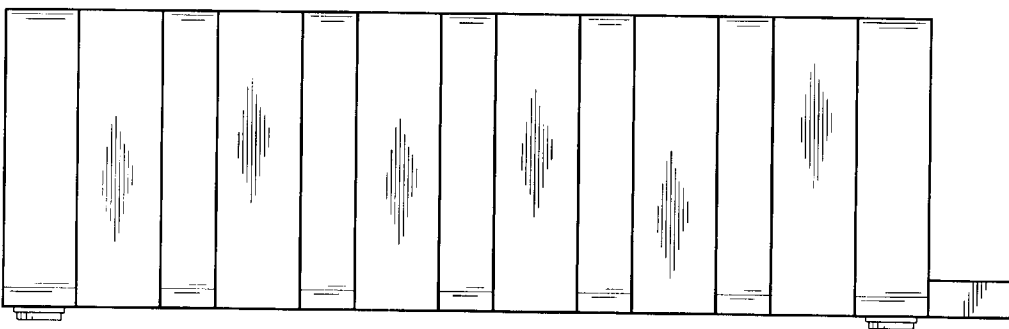


Fig. 6



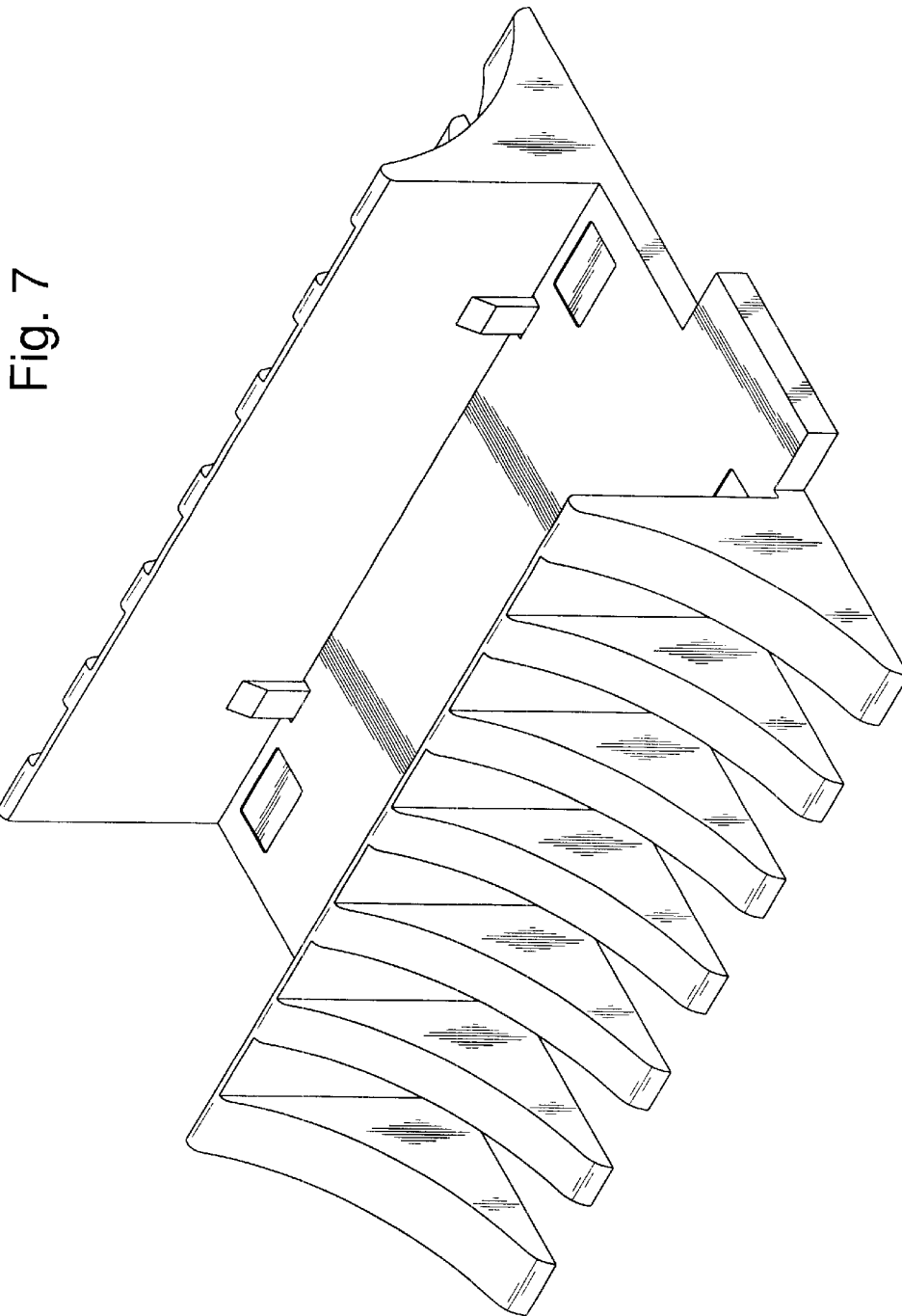


Fig. 7