



US0D1032352S

(12) **United States Design Patent**  
**Simms, II et al.**

(10) **Patent No.:** **US D1,032,352 S**

(45) **Date of Patent:** **\*\* \*Jun. 25, 2024**

(54) **CONTAINER**

(71) Applicant: **Waddington North America, Inc.**,  
Chelmsford, MA (US)

(72) Inventors: **Russell L. Simms, II**, Cleveland, TN  
(US); **Janis Kovarovic**, Sewell, NJ  
(US)

(73) Assignee: **Waddington North America, Inc.**,  
Chelmsford, MA (US)

(\* ) Notice: This patent is subject to a terminal disclaimer.

(\*\*) Term: **15 Years**

(21) Appl. No.: **29/821,217**

(22) Filed: **Dec. 28, 2021**

(51) **LOC (14) Cl.** ..... **09-03**

(52) **U.S. Cl.**  
USPC ..... **D9/425; D9/761**

(58) **Field of Classification Search**  
USPC ..... D9/414, 424, 425, 432, 737, 761;  
D7/602, 629, 703  
CPC ..... B65D 43/162; B65D 2543/00296; B65D  
2543/00101; B65D 2543/0062; B65D  
2543/00194; B65D 2543/00324; B65D  
2251/105

See application file for complete search history.

(56) **References Cited**

**U.S. PATENT DOCUMENTS**

D183,716 S \* 10/1958 Burns ..... D9/425  
D195,602 S \* 7/1963 Bostrom ..... D9/760  
3,391,816 A \* 7/1968 Swett ..... B65D 25/06  
229/120.07

D219,263 S \* 11/1970 Castelli et al. .... D7/553.3  
D224,288 S \* 7/1972 Bloch ..... D7/553.3  
D224,586 S \* 8/1972 Jewell ..... D9/761  
D257,109 S \* 9/1980 Conti ..... D7/553.3  
D352,203 S \* 11/1994 Campbell ..... D7/546  
5,992,628 A \* 11/1999 Vermilion ..... B65D 1/22  
206/524.1  
D642,484 S \* 8/2011 Birchmeier ..... D9/425  
D642,937 S \* 8/2011 Birchmeier ..... D9/425  
D713,741 S \* 9/2014 Wilmers ..... D9/761  
D913,045 S \* 3/2021 Samartgis ..... D7/602  
2009/0078603 A1\* 3/2009 Imai ..... G11B 23/0236  
206/387.1  
2019/0047768 A1\* 2/2019 Krupa ..... B65D 51/30

\* cited by examiner

*Primary Examiner* — Lauren R Calve

(74) *Attorney, Agent, or Firm* — Nelson Mullins Riley &  
Scarborough LLP

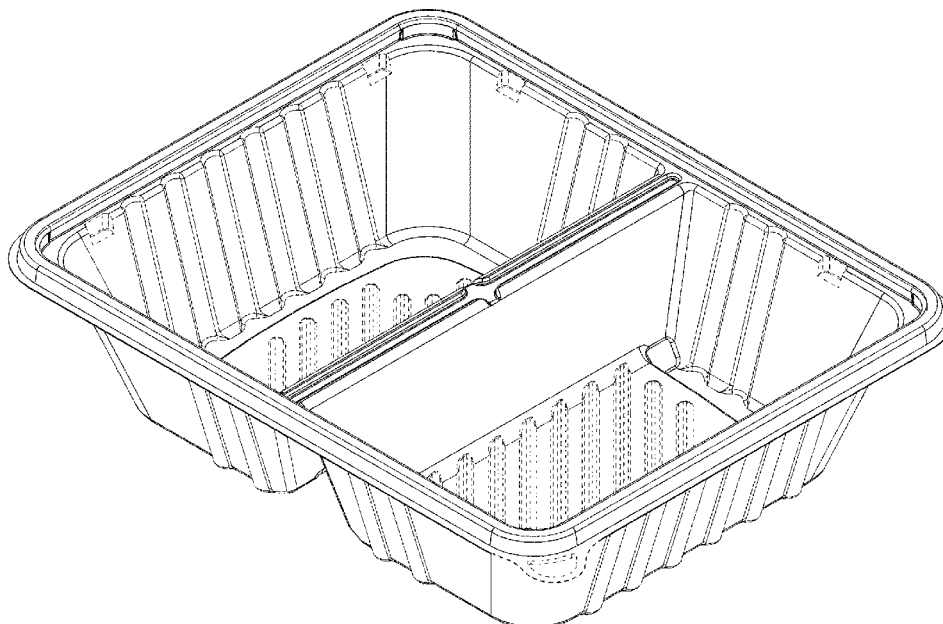
(57) **CLAIM**

The ornamental design for the container, as shown and described.

**DESCRIPTION**

FIG. 1 is a top perspective view of a container of the present design;  
FIG. 2 is a bottom perspective view thereof;  
FIG. 3 is a right side view thereof;  
FIG. 4 is a left side view thereof;  
FIG. 5 is a front view thereof;  
FIG. 6 is a rear view thereof;  
FIG. 7 is a top view thereof; and,  
FIG. 8 is a bottom view thereof.  
The broken lines in the drawings illustrate portions of the container and form no part of the claimed design.

**1 Claim, 8 Drawing Sheets**



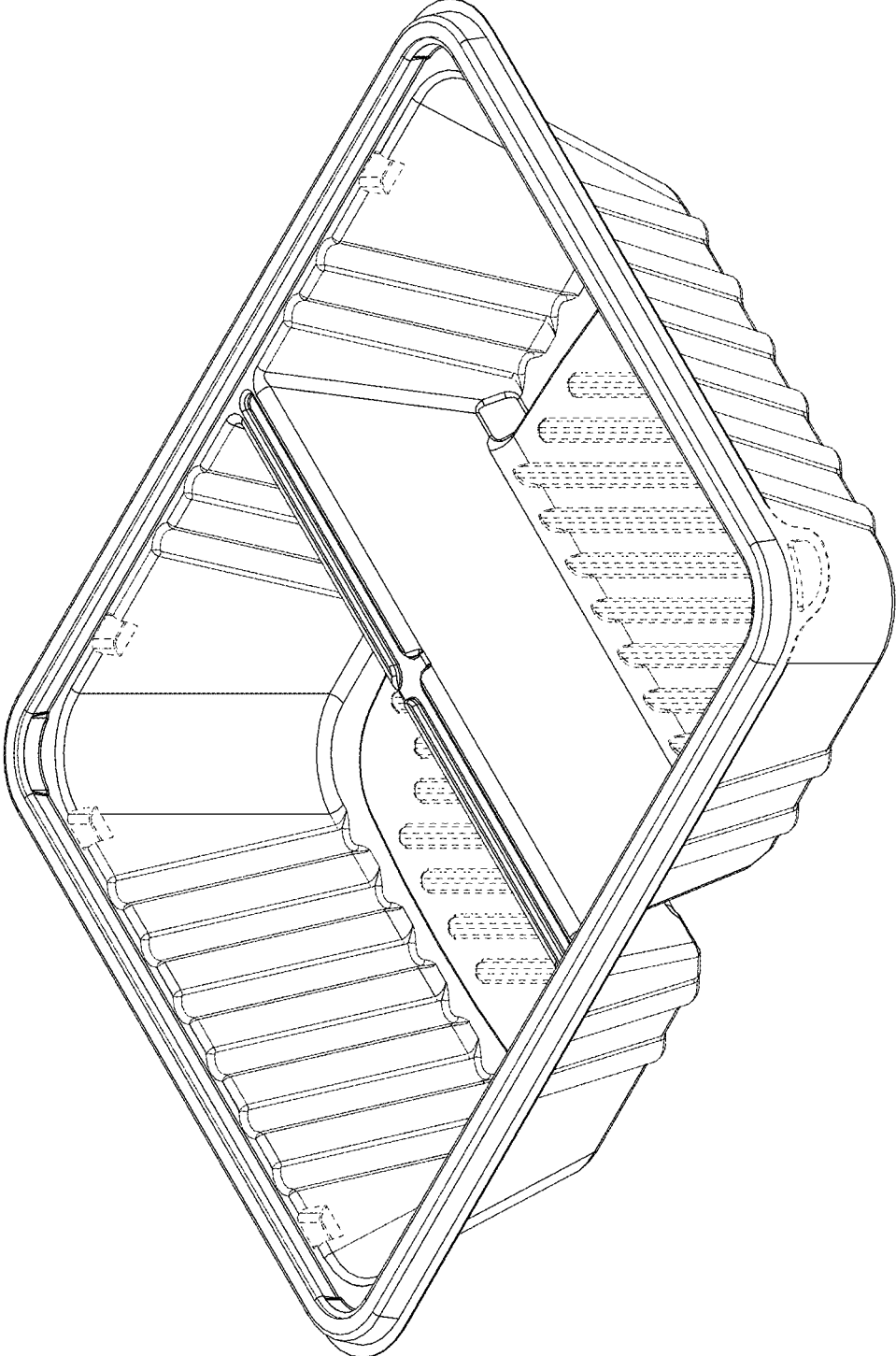


FIG. 1

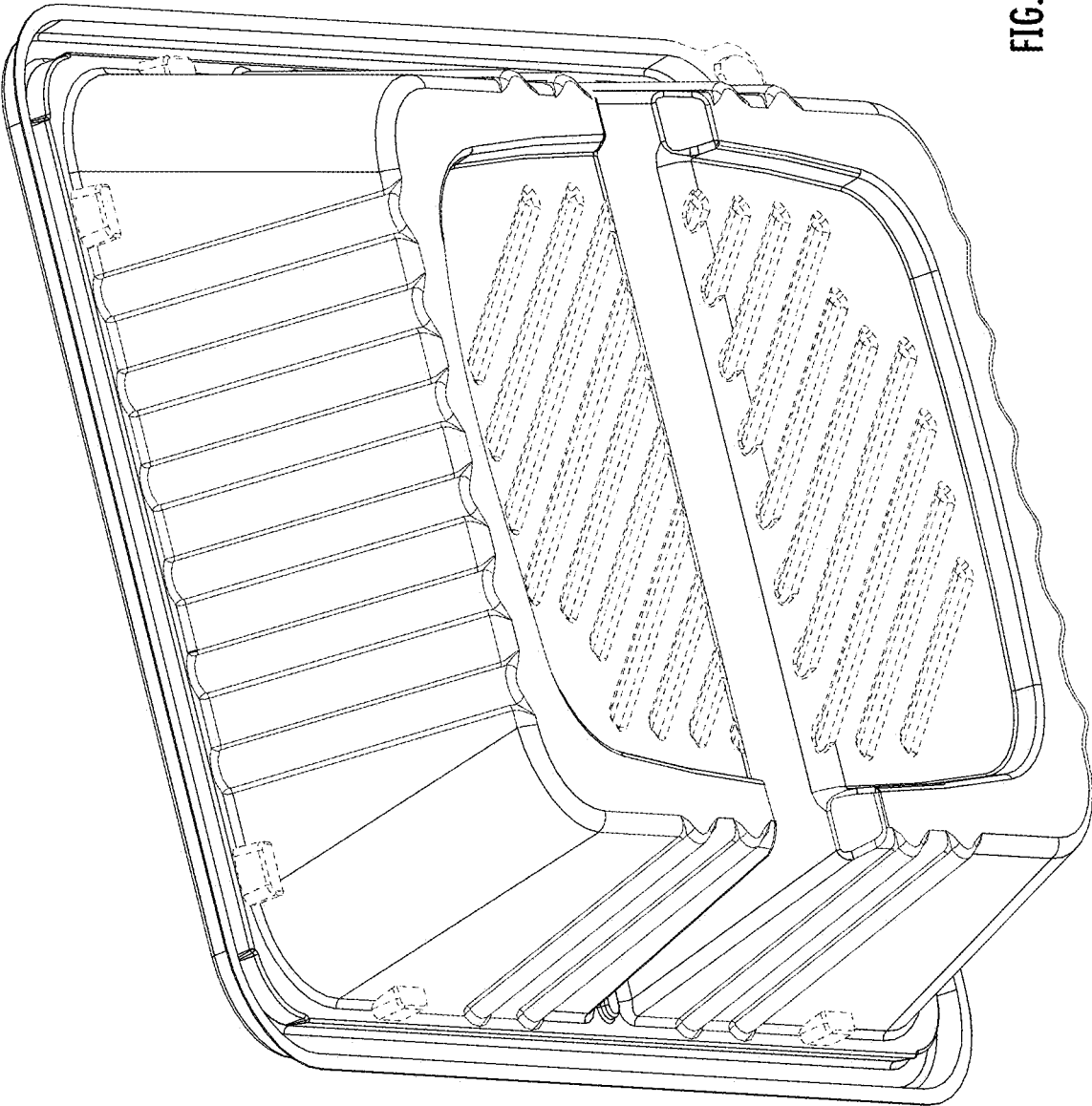


FIG. 2

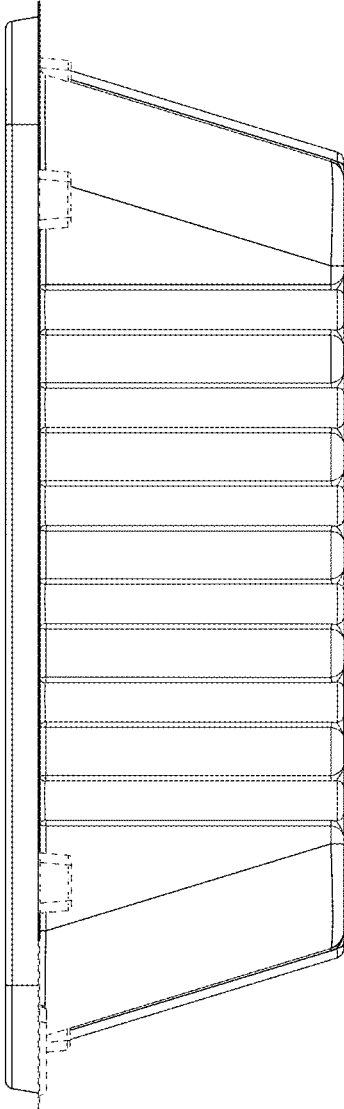


FIG. 3

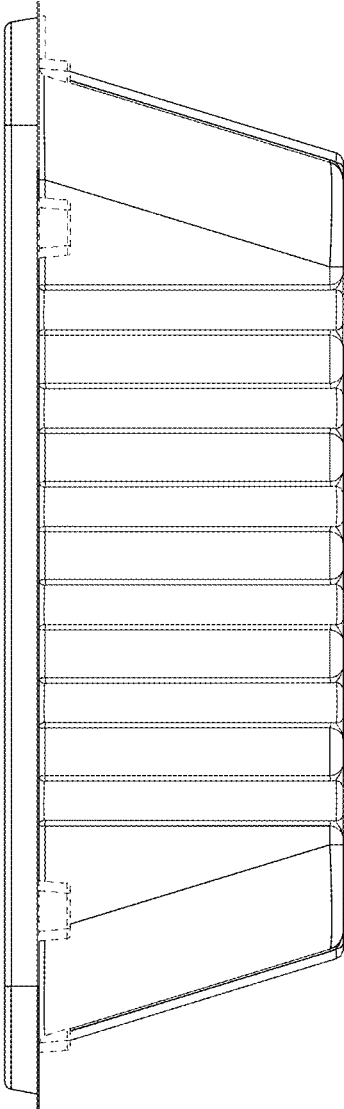


FIG. 4

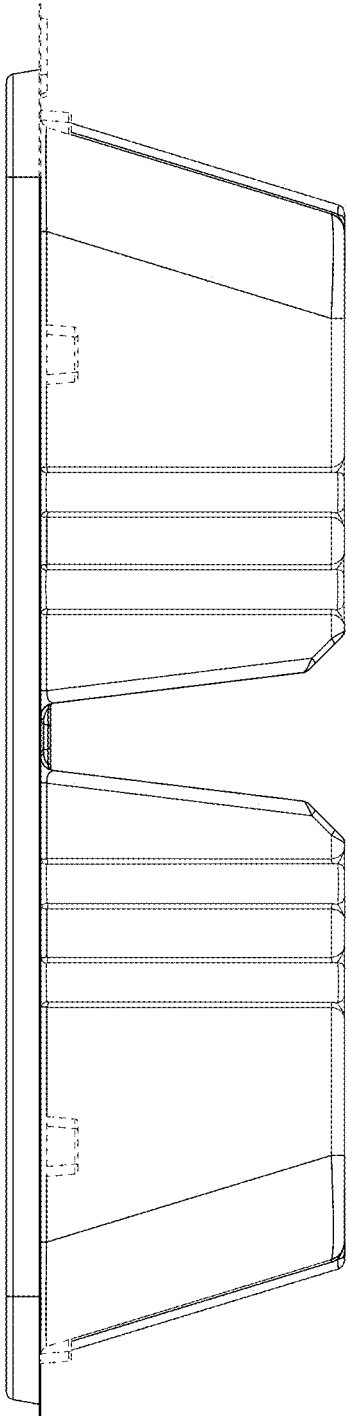


FIG. 5

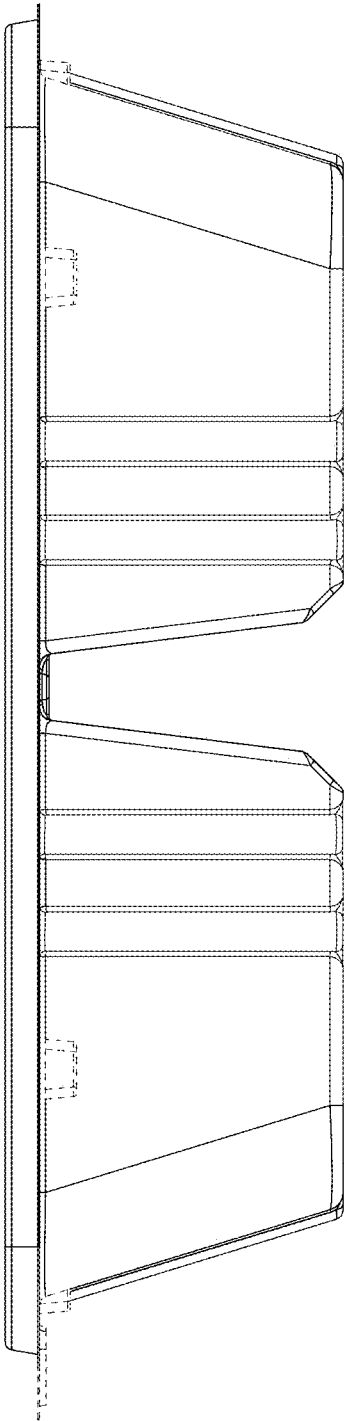


FIG. 6

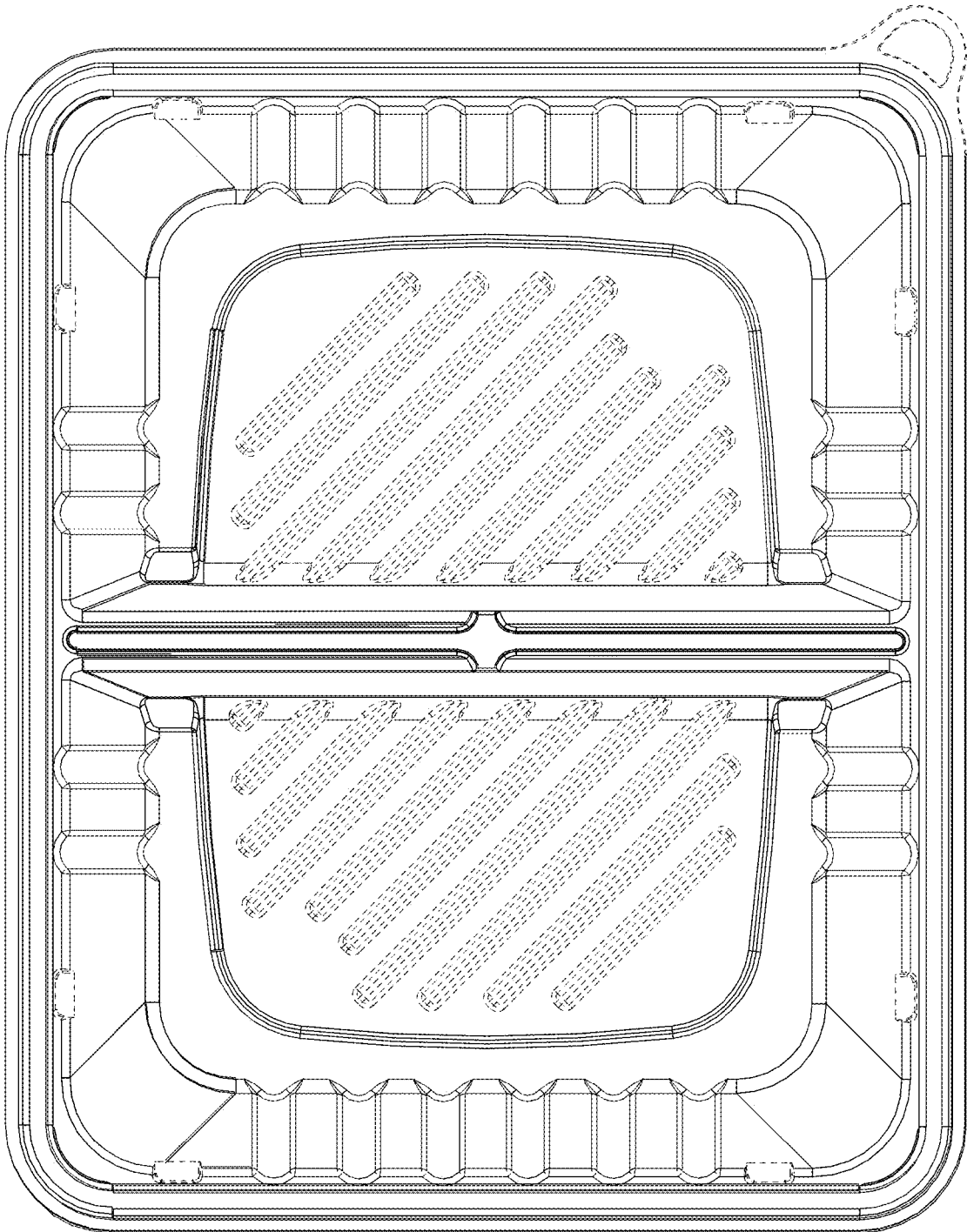


FIG. 7

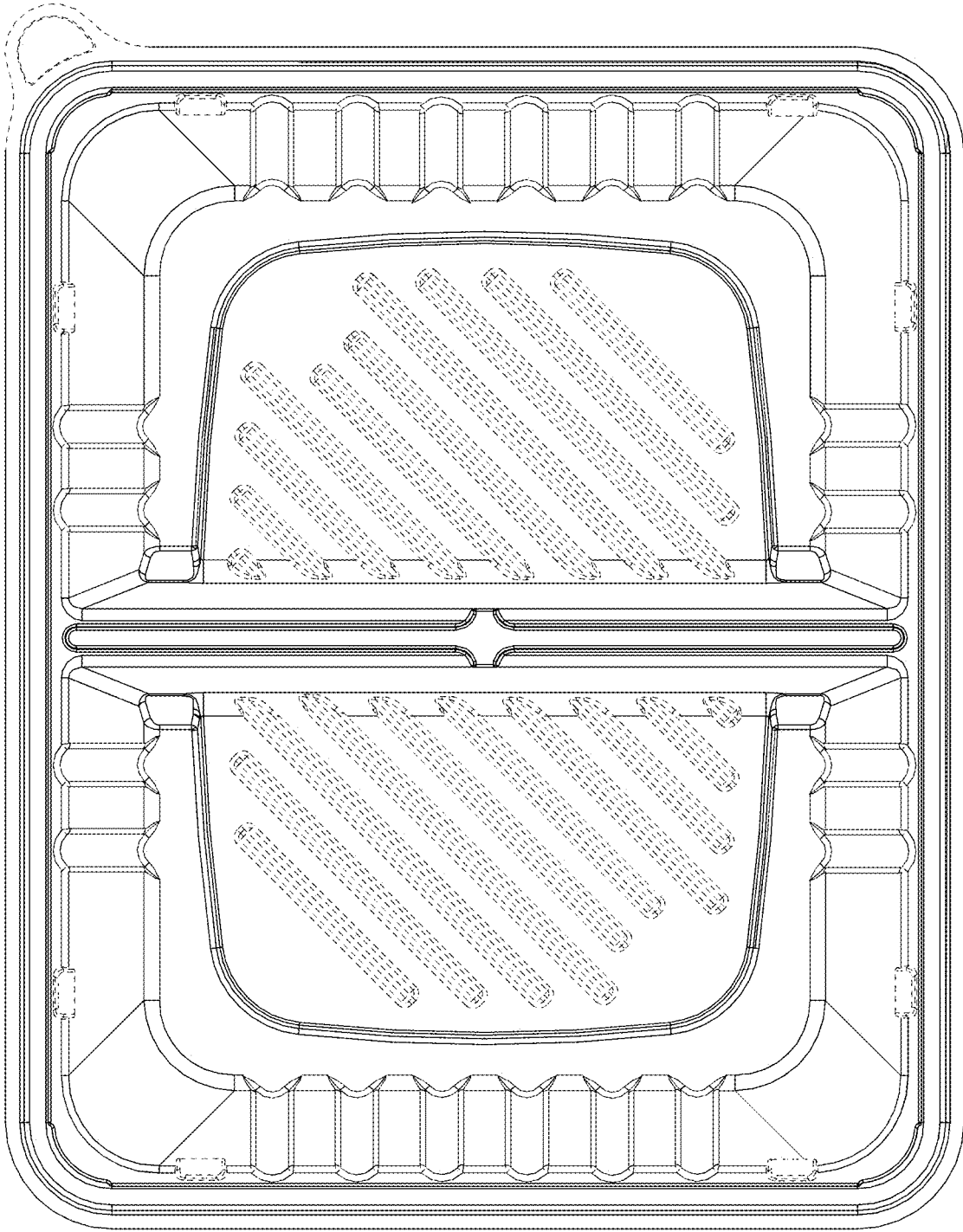


FIG. 8