



US00D990331S

(12) **United States Design Patent**
Wu et al.

(10) **Patent No.:** **US D990,331 S**
(45) **Date of Patent:** **** Jun. 27, 2023**

(54) **TEST DEVICE**

G01N 1/31; G01N 33/54373; G01N 2035/1037; C12M 25/01

(71) Applicant: **Hangzhou Biotest Biotech Co., Ltd.**, Zhejiang (CN)

See application file for complete search history.

(72) Inventors: **John Wu**, San Diego, CA (US); **Liang Hong**, Hangzhou (CN); **Lorraine Cogan**, San Diego, CA (US); **Yangyu Zhu**, San Diego, CA (US); **Shujiang Wu**, Hangzhou (CN)

(56) **References Cited**

U.S. PATENT DOCUMENTS

8,691,147 B2 * 4/2014 Leek C12M 25/01 422/63
D907,243 S * 1/2021 Sekiguchi C12M 25/01 D24/225

(73) Assignee: **HANGZHOU BIOTEST BIOTECH CO., LTD.**, Zhejiang (CN)

* cited by examiner

(**) Term: **15 Years**

Primary Examiner — Antoine Duval Davis

(21) Appl. No.: **29/831,870**

(74) *Attorney, Agent, or Firm* — NZ Carr Law Office

(22) Filed: **Mar. 23, 2022**

(57) **CLAIM**

The ornamental design for a test device, as shown and described.

Related U.S. Application Data

DESCRIPTION

(62) Division of application No. 29/699,957, filed on Jul. 30, 2019, now Pat. No. Des. 951,480.

FIG. 1 is a top front perspective view of a test device according to the present design;

(51) **LOC (14) Cl.** **24-02**

FIG. 2 is a bottom perspective view of the test device of FIG. 1;

(52) **U.S. Cl.**

FIG. 3 is a top view of the test device of FIG. 1;

USPC **D24/224**

FIG. 4 is a bottom view of the test device of FIG. 1;

(58) **Field of Classification Search**

USPC D10/46, 216, 223, 224, 225, 226, 227

FIG. 5 is a left view of the test device of FIG. 1;

CPC B01L 2300/0809; B01L 2300/0812; B01L 2300/0816; B01L 2300/0819; B01L 2300/0822; B01L 2300/0825; B01L 2300/0829; B01L 3/5088; B01L 2300/0609; B01L 2300/089; B01L 2300/161; B01L 2400/0415; G01N 27/62;

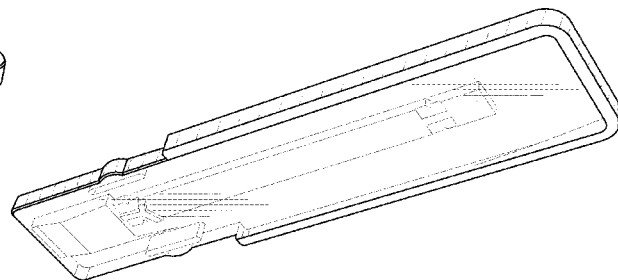
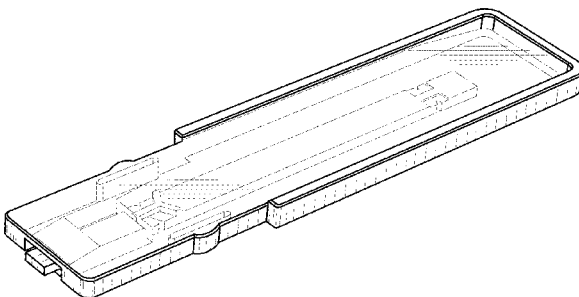
FIG. 6 is a back view of the test device of FIG. 1;

FIG. 7 is a front view of the test device of FIG. 1;

FIG. 8 is a top perspective view of the test device of FIG. 1 with a cover; and,

FIG. 9 is a bottom perspective view of the test device of FIG. 1 with a cover.

1 Claim, 9 Drawing Sheets



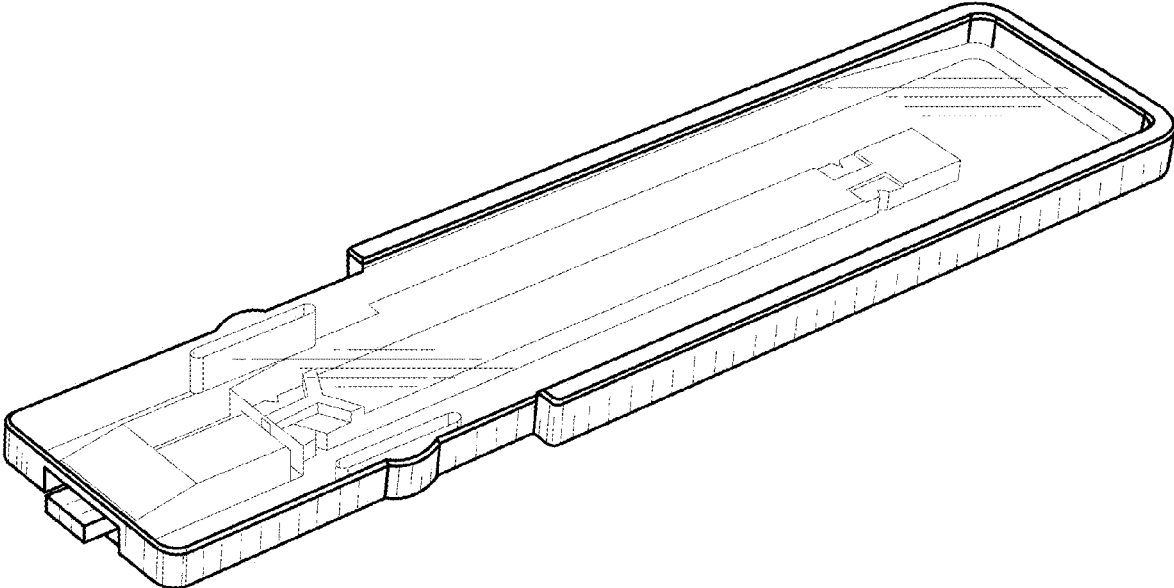


FIG. 1

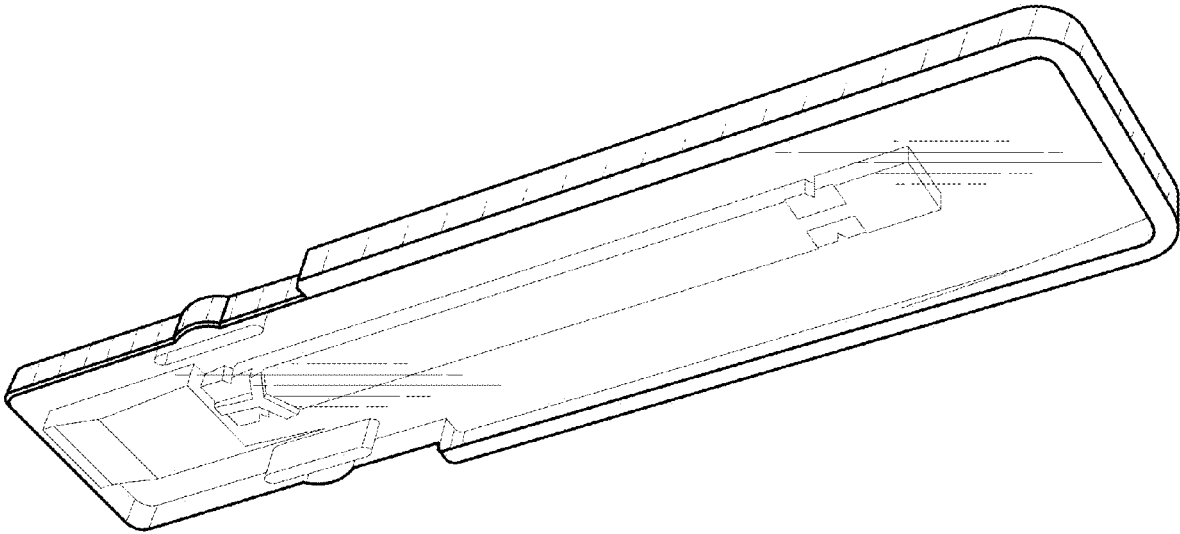


FIG. 2

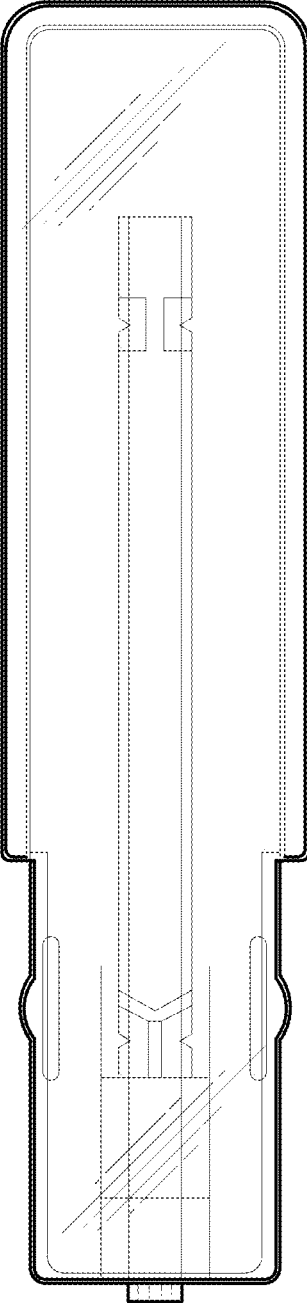


FIG. 3

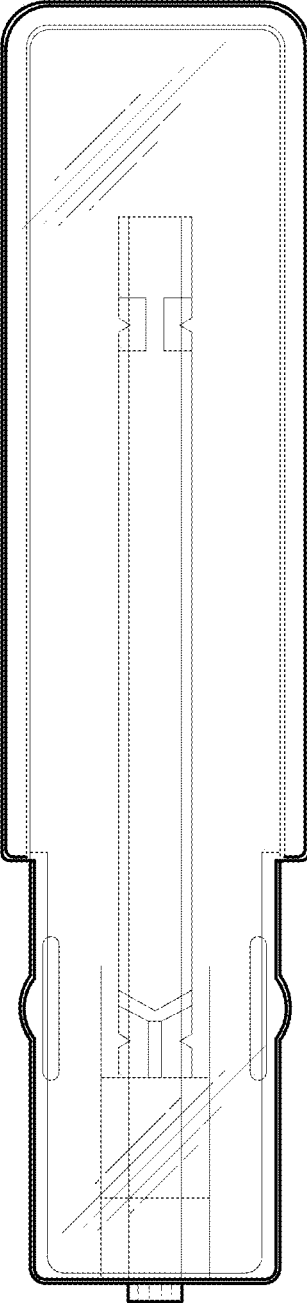


FIG. 4



FIG. 6



FIG. 7

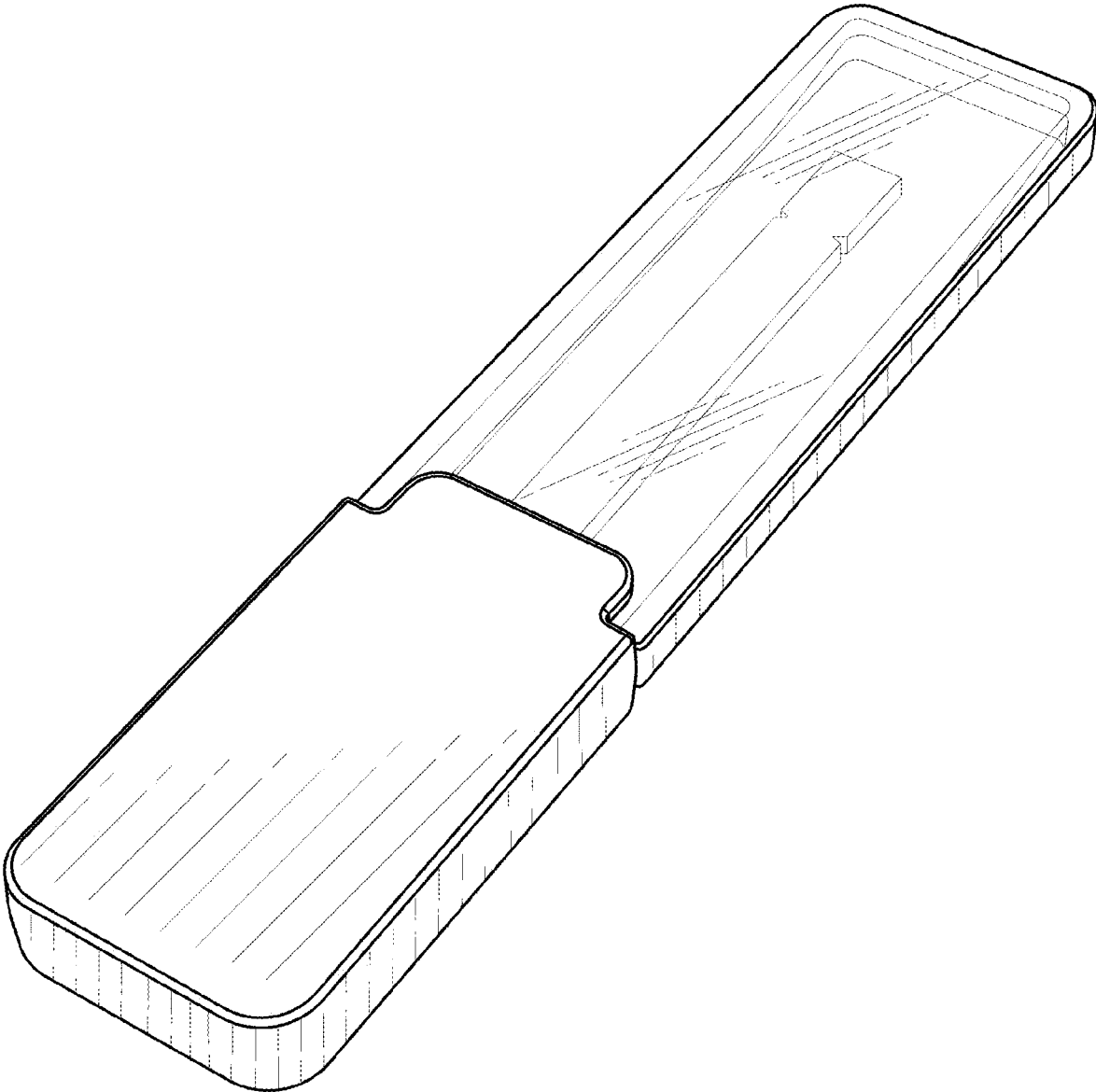


FIG. 8

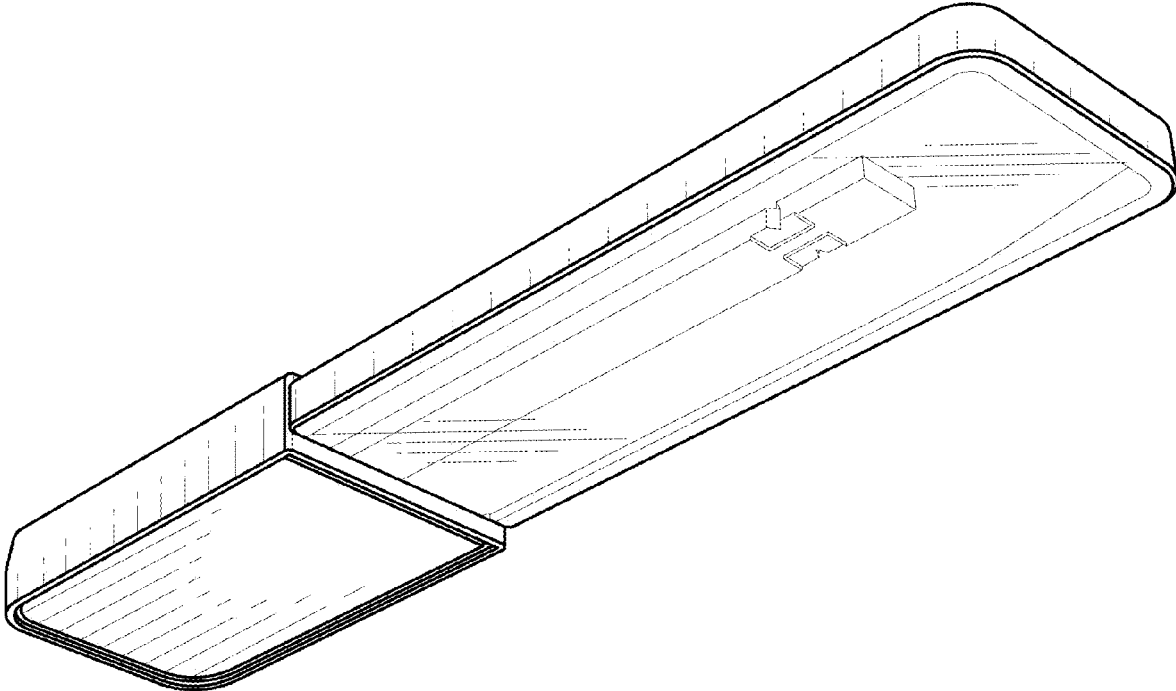


FIG. 9