

CORRECTED VERSION

(19) World Intellectual Property Organization
International Bureau



(43) International Publication Date
15 March 2007 (15.03.2007)

PCT

(10) International Publication Number
WO 2007/029111 A1

- (51) **International Patent Classification:**
CIIB 1/00 (2006.01) C02F 1/24 (2006.01)
C02F 1/40 (2006.01) CIIB 13/00 (2006.01)
- (21) **International Application Number:**
PCT/IB2006/002482
- (22) **International Filing Date:**
6 September 2006 (06.09.2006)
- (25) **Filing Language:** English
- (26) **Publication Language:** English
- (30) **Priority Data:**
PI 20054256 9 September 2005 (09.09.2005) MY
- (71) **Applicant (for AG only):** **CYCLONIC SYSTEMS & TECHNOLOGIES SDN BHD** [MY/MY]; Suite A-4-8, 4th Floor, Greentown Business Centre, No. 1, Persiaran Greentown 2, 30450 Ipoh Perak (MY).
- (71) **Applicant (for all designated States except AG, US):** **WORLD MAX ALLIANCE LIMITED**; Sea Meadow House, Blackburne Highway, P.O. Box 116, Road Town, Tortola (VG).
- (72) **Inventor; and**
- (75) **Inventor/Applicant (for US only):** **WOODLEY, Paul**

Stair [GB/MY]; No. 65 Persiaran Kelebang 1, Kawasan Perindustrian IGB off Jalan Kuala Kangsar, 32100 Ipoh, Perak (MY).

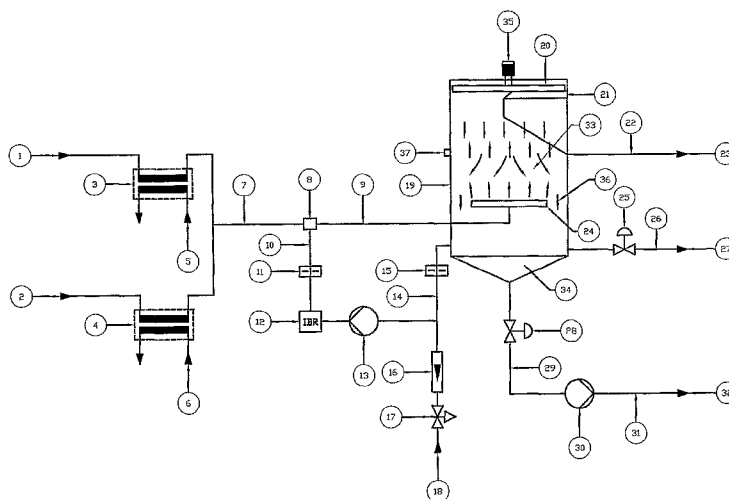
(74) **Agent:** **WYATT, David, Alan;** Henry GOH & CO. SDN. BHD, Suite 3.02, Level 3, Amoda Building, 22 Jalan IMBI, Kuala Lumpur, 55100 (MY).

(81) **Designated States (unless otherwise indicated, for every kind of national protection available):** AE, AG, AL, AM, AT, AU, AZ, BA, BB, BG, BR, BW, BY, BZ, CA, CH, CN, CO, CR, CU, CZ, DE, DK, DM, DZ, EC, EE, EG, ES, FI, GB, GD, GE, GH, GM, HN, HR, HU, ID, IL, IN, IS, JP, KE, KG, KM, KN, KP, KR, KZ, LA, LC, LK, LR, LS, LT, LU, LV, LY, MA, MD, MG, MK, MN, MW, MX, MY, MZ, NA, NG, NI, NO, NZ, OM, PG, PH, PL, PT, RO, RS, RU, SC, SD, SE, SG, SK, SL, SM, SV, SY, TJ, TM, TN, TR, TT, TZ, UA, UG, US, UZ, VC, VN, ZA, ZM, ZW

(84) **Designated States (unless otherwise indicated, for every kind of regional protection available):** ARIPO (BW, GH, GM, KE, LS, MW, MZ, NA, SD, SL, SZ, TZ, UG, ZM, ZW), Eurasian (AM, AZ, BY, KG, KZ, MD, RU, TJ, TM), European (AT, BE, BG, CH, CY, CZ, DE, DK, EE, ES, FI, FR, GB, GR, HU, IE, IS, IT, LT, LU, LV, MC, NL, PL, PT,

[Continued on next page]

(54) **Title:** METHOD AND APPARATUS FOR SEPARATION AND RECOVERY OF FRUIT, NUT OR VEGETABLE OILS FROM WATER, LIQUIDS AND WASTEWATER



(57) **Abstract:** Generally in the edible oils and fats processing industries globally, a small percentage of oil and fat is not recoverable and is lost to water, liquid or wastewater. The value of lost oils and fats is substantial, the oil and fat in the water, liquid and in particular wastewater creates many problems. Especially, the treatment of the wastewater in many cases creates environmental pollution and adds substantially to the cost of treating the wastewater. The process and apparatus described increase yields in the edible oil and fat processing industries, as well as considerably reducing the environmental impact and problems associated with the treatment of wastewater from the edible oil industries. Broadly, the invention resides in reducing the temperature of hot process wastewaters to one at which the oil / fat acquires a semi-solid or crystalline state, that is non-colloidal. The semi-solid particles are then mixed with a liquid that is ultra-saturated with gas so that the oil / fat particles are entrained with the gas and can be floated and mechanically separated.

WO 2007/029111 A1



RO, SE, SI, SK, TR), OAPI (BF, BJ, CF, CG, CI, CM, GA, GN, GQ, GW, ML, MR, NE, SN, TD, TG).

(48) Date of publication of this corrected version:

30 August 2007

Declarations under Rule 4.17:

- *as to applicant's entitlement to apply for and be granted a patent (Rule 4.17(U))*
- *of inventorship (Rule 4.17(iv))*

(15) Information about Correction:

see PCT Gazette No. 35/2007 of 30 August 2007

Published:

- *with international search report*

For two-letter codes and other abbreviations, refer to the "Guidance Notes on Codes and Abbreviations" appearing at the beginning of each regular issue of the PCT Gazette.