

(19) World Intellectual Property
Organization
International Bureau



(43) International Publication Date
18 December 2003 (18.12.2003)

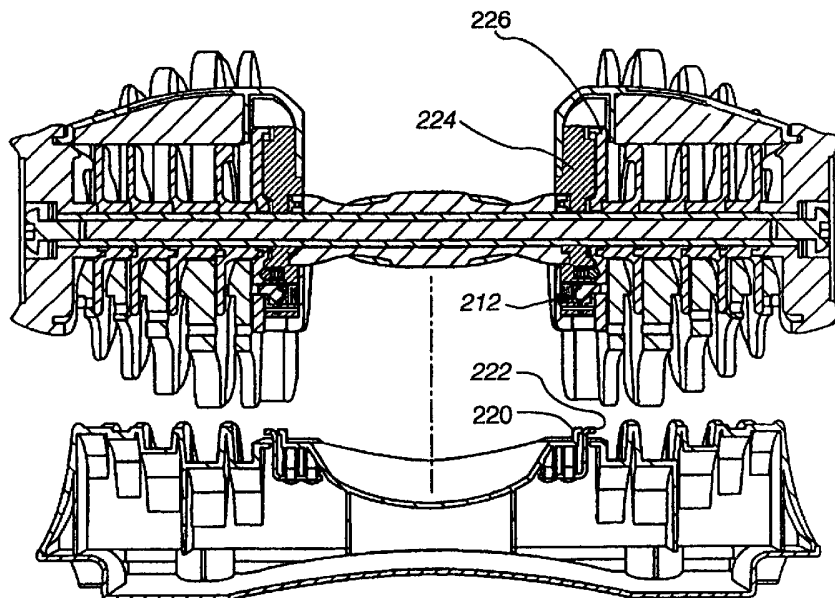
PCT

(10) International Publication Number
WO 2003/103777 A3

- (51) International Patent Classification⁷: A63B 21/072
- (21) International Application Number: PCT/US2003/018011
- (22) International Filing Date: 6 June 2003 (06.06.2003)
- (25) Filing Language: English
- (26) Publication Language: English
- (30) Priority Data:
- | | | |
|------------|----------------------------|----|
| 60/387,298 | 7 June 2002 (07.06.2002) | US |
| 60/400,244 | 31 July 2002 (31.07.2002) | US |
| 60/400,894 | 1 August 2002 (01.08.2002) | US |
| 10/456,977 | 5 June 2003 (05.06.2003) | US |
- (71) Applicant: NAUTILUS, INC. [US/US]; 1400 NE 136th Avenue, Vancouver, WA 98684-0818 (US).
- (72) Inventors: CRAWFORD, Douglas, A.; 2543 Otter Court, Lafayette, CO 80026 (US). GOLESH, Eric, D.; 897 East 132nd Drive, Thornton, CO 80241 (US). WARNER, Patrick, A.; 4196 Greenbriar Boulevard, Boulder, CO 80305 (US).
- (74) Agents: DURBIN, Gregory, P. et al.; Suite 4700, 370 Seventeenth Street, Denver, CO 80202 (US).
- (81) Designated States (*national*): AE, AG, AL, AM, AT, AU, AZ, BA, BB, BG, BR, BY, BZ, CA, CH, CN, CO, CR, CU, CZ, DE, DK, DM, DZ, EC, EE, ES, FI, GB, GD, GE, GH, GM, HR, HU, ID, IL, IN, IS, JP, KE, KG, KP, KR, KZ, LC, LK, LR, LS, LT, LU, LV, MA, MD, MG, MK, MN, MW, MX, MZ, NI, NO, NZ, OM, PH, PL, PT, RO, RU, SC, SD, SE, SG, SK, SL, TJ, TM, TN, TR, TT, TZ, UA, UG, UZ, VC, VN, YU, ZA, ZM, ZW.
- (84) Designated States (*regional*): ARIPO patent (GH, GM, KE, LS, MW, MZ, SD, SL, SZ, TZ, UG, ZM, ZW), Eurasian patent (AM, AZ, BY, KG, KZ, MD, RU, TJ, TM), European patent (AT, BE, BG, CH, CY, CZ, DE, DK, EE, ES, FI, FR, GB, GR, HU, IE, IT, LU, MC, NL, PT, RO, SE, SI, SK, TR), OAPI patent (BF, BJ, CF, CG, CI, CM, GA, GN, GQ, GW, ML, MR, NE, SN, TD, TG).
- Declaration under Rule 4.17:**
— as to the identity of the inventor (Rule 4.17(i)) for all designations

[Continued on next page]

(54) Title: ADJUSTABLE DUMBBELL SYSTEM



(57) Abstract: A dumbbell is described including a handle having a grip and at least one end, an inner plate (226) mounted on the handle adjacent the grip, in a fixed rotational orientation, a support (224) rotationally mounted on the handle adjacent the inner plate, at least one collar rotationally mounted on the handle adjacent the support plate (224), and rotationally fixed with the support plate (224), a selector knob rotationally mounted in the handle adjacent the at least one collar, and rotationally fixed with the collar, a weight plate removably mounted on the handle adjacent the at least one collar, and a means for selectively securing the support plate (224) to the inner plate (226) to resist the rotation of the support plate, collar and selector knob with respect to the inner plate and handle.

WO 2003/103777 A3



Published:

— *with international search report*

(88) Date of publication of the international search report:

31 March 2005

For two-letter codes and other abbreviations, refer to the "Guidance Notes on Codes and Abbreviations" appearing at the beginning of each regular issue of the PCT Gazette.

INTERNATIONAL SEARCH REPORT

International application No.
PCT/US 03/18011

A. CLASSIFICATION OF SUBJECT MATTER

IPC(7) : A63B 21/072
US CL : 482/106

According to International Patent Classification (IPC) or to both national classification and IPC

B. FIELDS SEARCHED

Minimum documentation searched (classification system followed by classification symbols)

U.S. : 482/106, 92, 93, 107-109

Documentation searched other than minimum documentation to the extent that such documents are included in the fields searched

Electronic data base consulted during the international search (name of data base and, where practicable, search terms used)

C. DOCUMENTS CONSIDERED TO BE RELEVANT

Category*	Citation of document, with indication, where appropriate, of the relevant passage	Relevant to claim No.
A, P	US 6,461,282 B1 (FENELON) 08 October 2002, entire document.	1-31
A, P	US 6,416,446 B1 (KRULL) 09 July 2002, entire document.	1-31
A	US 6,261,211 B1 (SUAREZ et al) 17 July 2001, entire document.	1-31

Further documents are listed in the continuation of Box C. See patent family annex.

* Special categories of cited documents:	"T"	later document published after the international filing date or priority date and not in conflict with the application but cited to understand the principle or theory underlying the invention
"A" document defining the general state of the art which is not considered to be of particular relevance	"X"	document of particular relevance; the claimed invention cannot be considered novel or cannot be considered to involve an inventive step when the document is taken into account
"E" earlier document published on or after the international filing date	"Y"	document of particular relevance; the claimed invention cannot be considered to involve an inventive step when the document is combined with one or more other such documents, such combination being obvious to a person skilled in the art
"L" document which may throw doubts on priority claim(s) or which is cited to establish the publication date of another citation or other special reason (as specified)	"g"	document member of the same patent family
"O" document referring to an oral disclosure, use, exhibition or other means		
"P" document published prior to the international filing date but later than the priority date claimed		

Date of the actual completion of the international search 08 AUGUST 2003	Date of mailing of the international search report 25 NOV 2003
---	--

Name and mailing address of the ISA/US
Commissioner of Patents and Trademarks
Box PCT
Washington, D.C. 20231
Facsimile No. (703) 305-3230

Authorized officer
GLENN RICHMAN *Diane Reusser for*
Telephone No. (703) 308 0113