



US00D720882S

(12) **United States Design Patent**
Albanese

(10) **Patent No.:** **US D720,882 S**

(45) **Date of Patent:** **** Jan. 6, 2015**

(54) **ATOMIZER**

(71) Applicant: **Brett Matthew Albanese**, Los Angeles, CA (US)

(72) Inventor: **Brett Matthew Albanese**, Los Angeles, CA (US)

(73) Assignee: **Full Circle Enterprises, LLC**, Los Angeles, CA (US)

(**) Term: **14 Years**

(21) Appl. No.: **29/475,637**

(22) Filed: **Dec. 4, 2013**

(51) **LOC (10) Cl.** **27-01**

(52) **U.S. Cl.**

USPC **D27/101**; D27/163

(58) **Field of Classification Search**

CPC A24F 1/02; A24F 1/04; A24F 1/06;
A24F 1/08; A24F 1/10; A24F 1/12; A24F
1/14; A24F 1/22; A24F 9/16; A24F
47/002-47/008; A24F 1/30; A24F 47/00
USPC D27/100-101, 106, 143, 152, 161-172,
D27/183-184, 187, 189, 190, 193-194;
131/220-222, 226, 173, 174, 194,
131/328-330, 270, 273; D7/584, 585;
D9/500, 502; D11/143, 144, 146, 152;
D24/110.5

See application file for complete search history.

(56) **References Cited**

U.S. PATENT DOCUMENTS

251,340 A * 12/1881 Ginter 131/364
D532,927 S * 11/2006 Sann D27/101

D583,095 S *	12/2008	Plank	D27/101
D624,238 S *	9/2010	Turner	D27/101
D644,375 S *	8/2011	Zhou	D27/101
D653,803 S *	2/2012	Timmermans	D27/163
D675,777 S *	2/2013	Wu	D27/101
D693,053 S *	11/2013	Chen	D27/101
D693,963 S *	11/2013	Akopyan	D27/163
8,578,942 B2 *	11/2013	Schennum	131/271
D695,450 S *	12/2013	Benassayag et al.	D27/163
2007/0256697 A1 *	11/2007	Yang	131/328
2008/0121244 A1 *	5/2008	Bryman et al.	131/328
2013/0068239 A1 *	3/2013	Youn	131/273
2013/0074857 A1 *	3/2013	Buchberger	131/329

* cited by examiner

Primary Examiner — Susan Bennett Hattan

Assistant Examiner — Janice Hallmark

(74) *Attorney, Agent, or Firm* — Lewis Brisbois Bisgaard & Smith LLP

(57) **CLAIM**

The ornamental design for an atomizer, as shown and described.

DESCRIPTION

FIG. 1 is a top perspective view of the atomizer of the present invention;

FIG. 2 is a top view of the atomizer shown in FIG. 1;

FIG. 3 is a bottom view of the atomizer shown in FIG. 1;

FIG. 4 is a left side view of the atomizer shown in FIG. 1;

FIG. 5 is a right side view of the atomizer shown in FIG. 1;

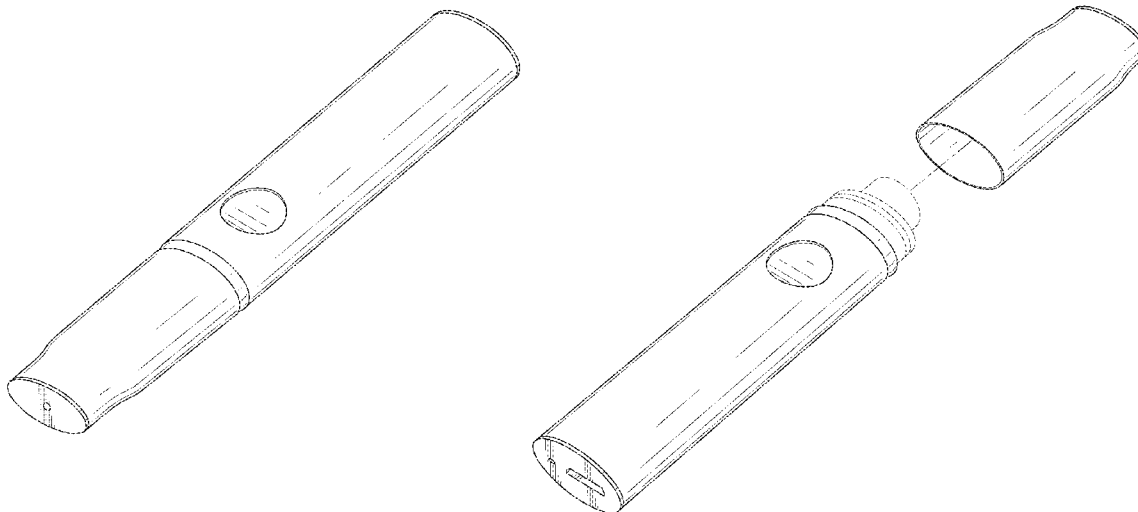
FIG. 6 is a front view of the atomizer shown in FIG. 1;

FIG. 7 is a rear view of the atomizer shown in FIG. 1; and,

FIG. 8 is an exploded view of the atomizer shown in FIG. 1.

The broken lines in the drawings illustrate portions of the atomizer and form no part of the claimed design.

1 Claim, 2 Drawing Sheets



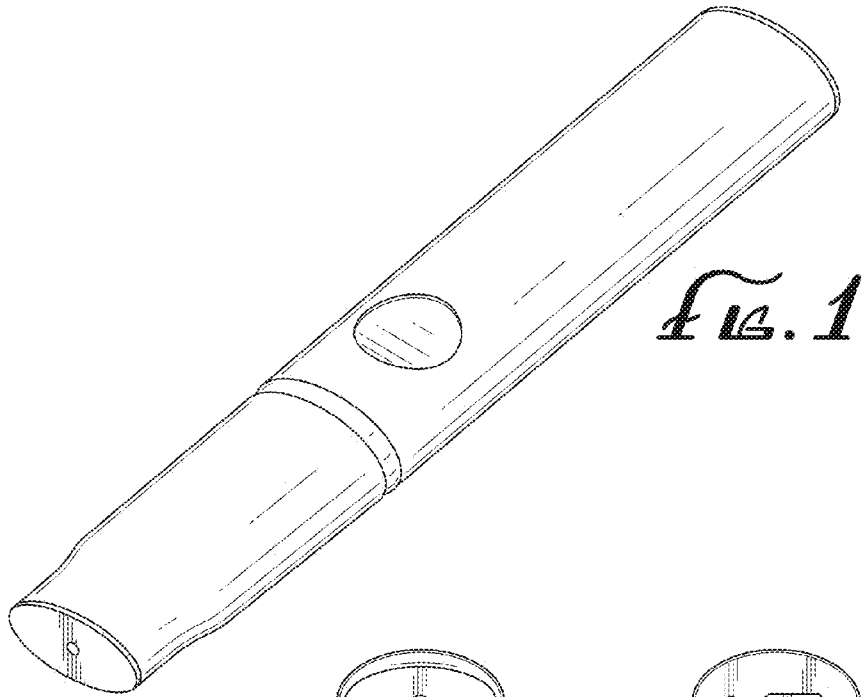


FIG. 1

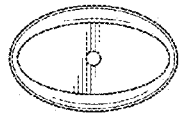


FIG. 2

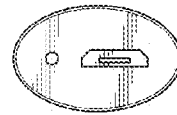


FIG. 3

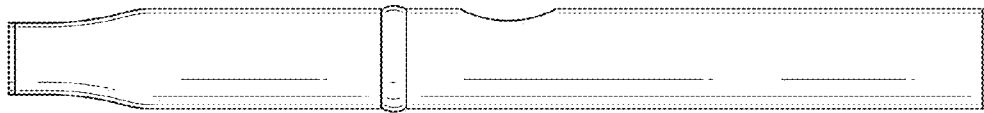


FIG. 4



FIG. 5

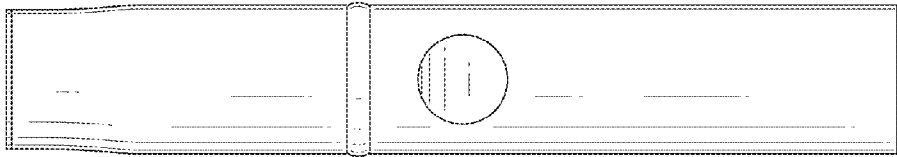


FIG. 6



FIG. 7

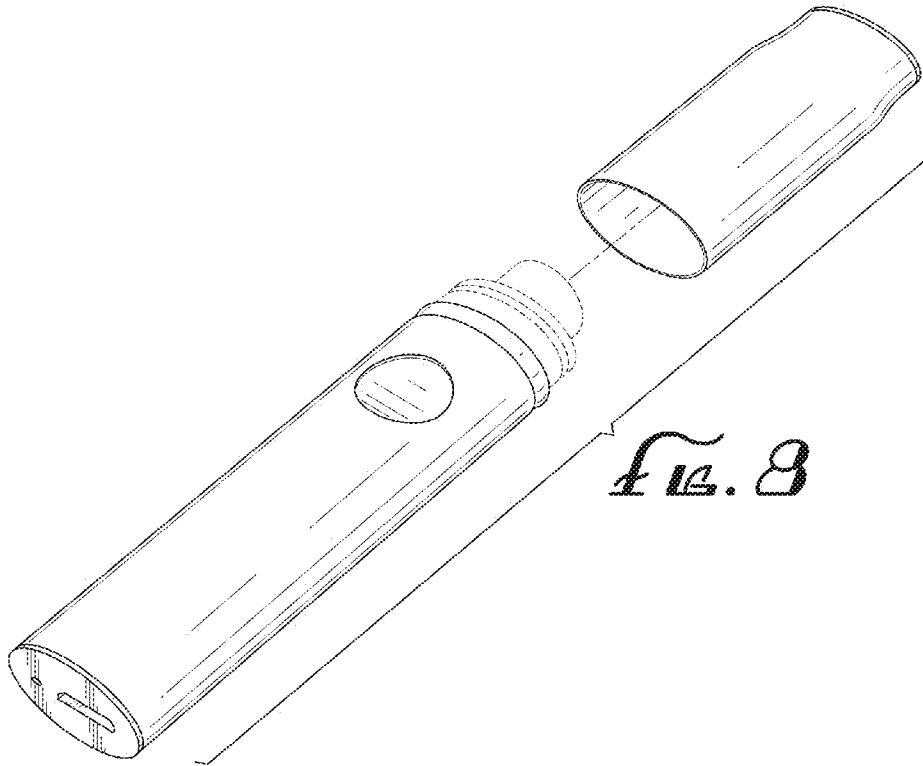


FIG. 8