

[54] TOY STACKING CLOWN

[75] Inventor: James F. Mariol, Cincinnati, Ohio

[73] Assignee: The Little Tikes Company, Hudson, Ohio

[**] Term: 14 Years

[21] Appl. No.: 381,933

[22] Filed: Jul. 19, 1989

[52] U.S. Cl. D21/173; D21/59

[58] Field of Search D21/173, 166, 168, 59, D21/104; 446/117

[56] References Cited

U.S. PATENT DOCUMENTS

- D. 269,687 7/1983 Nakao et al. D21/173 X
- 4,604,073 8/1986 Livesey et al. 446/117

OTHER PUBLICATIONS

Sears Catalog, 1981, p. 613, Giant Rock-A-Stack Rings, Item (12), (X-mas Cat.).

Primary Examiner—Terry A. Pfeffer
Attorney, Agent, or Firm—Richard B. O’Planick

[57] CLAIM

The ornamental design for a toy stacking clown, as shown and described.

DESCRIPTION

FIG. 1 is a front perspective view of a toy stacking clown showing my new design.

FIG. 2 is an exploded rear perspective view thereof.

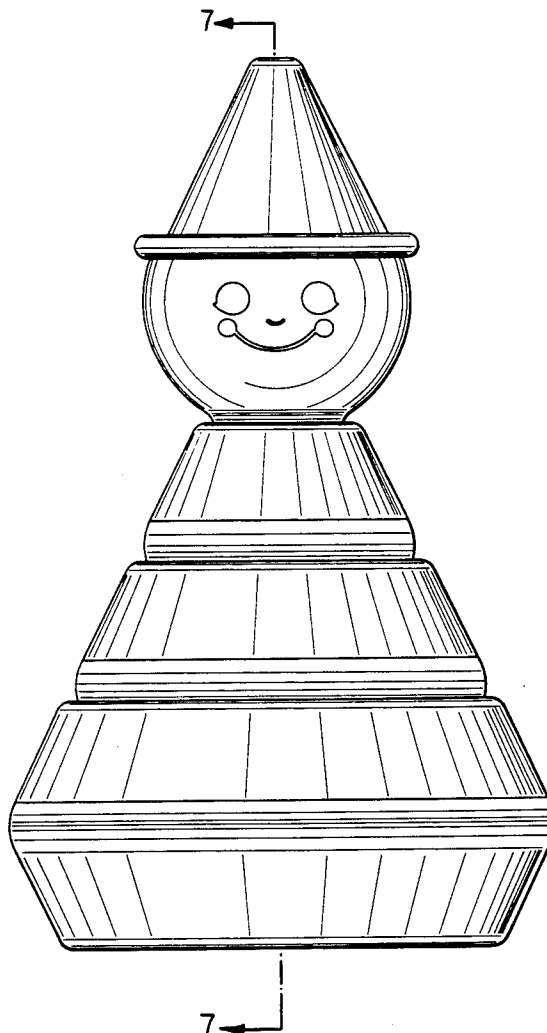
FIG. 3 is a top plan view thereof.

FIG. 4 is a bottom plan view thereof.

FIG. 5 is a front elevational view thereof.

FIG. 6 is a side elevational view thereof; the rear elevational view and the opposite side elevational view being a mirror image.

FIG. 7 is a cross-sectional view taken along line 7-7 of FIG. 5.



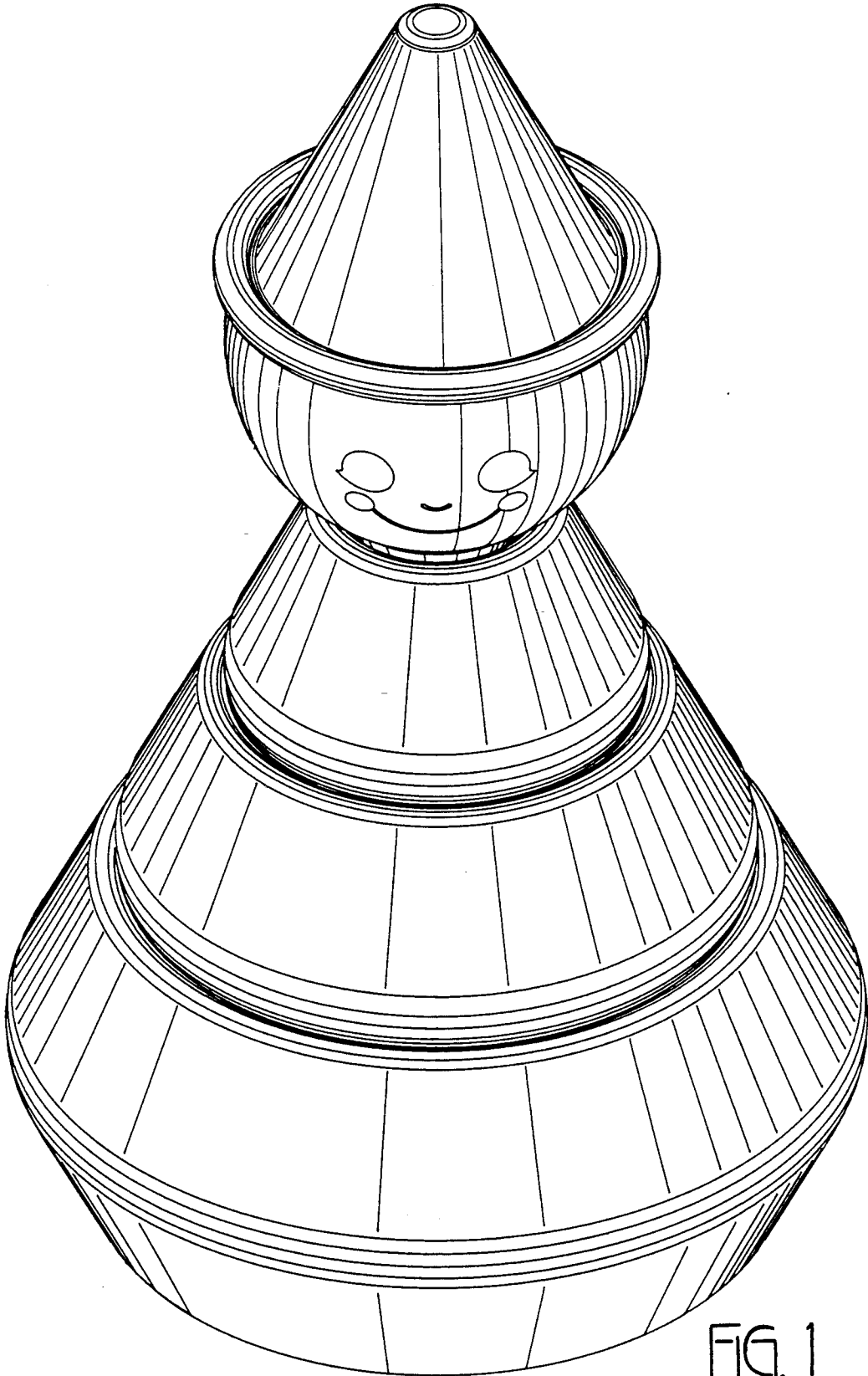


FIG. 1

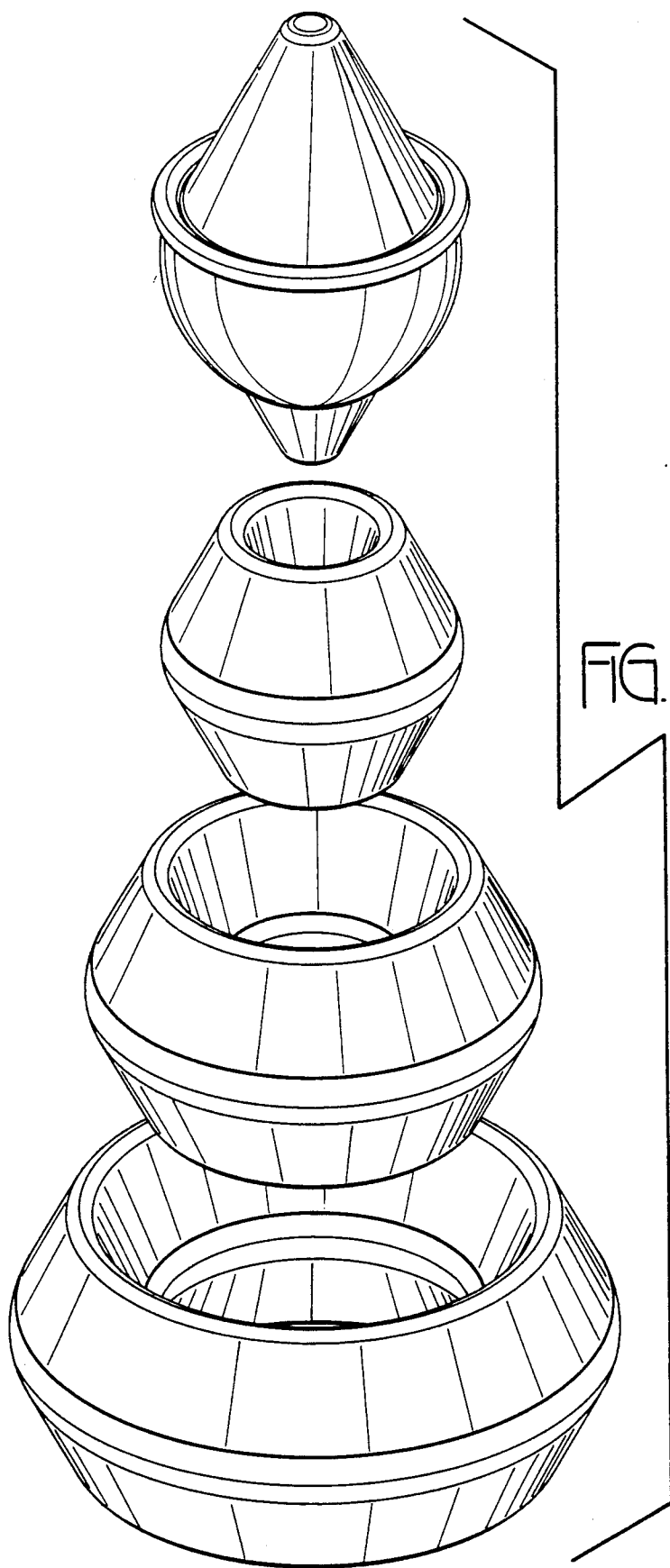


FIG. 2

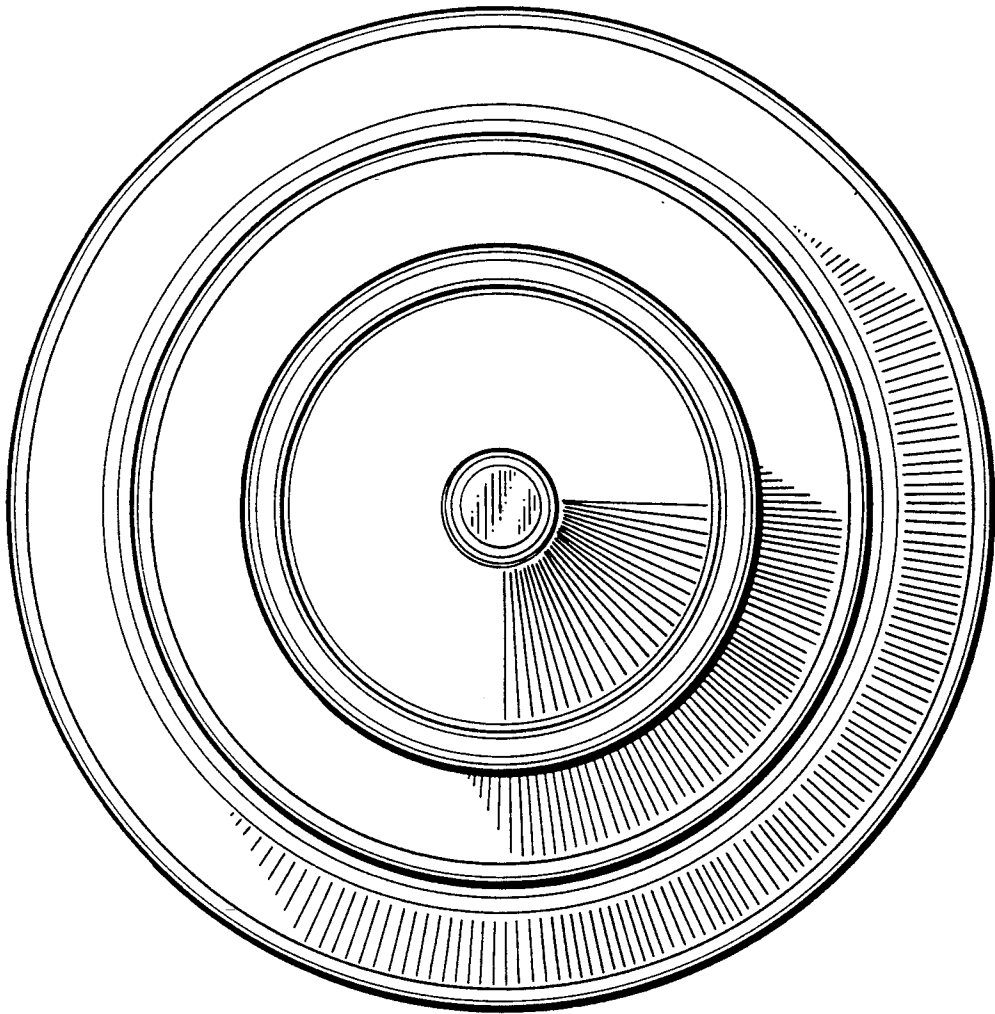


FIG. 3

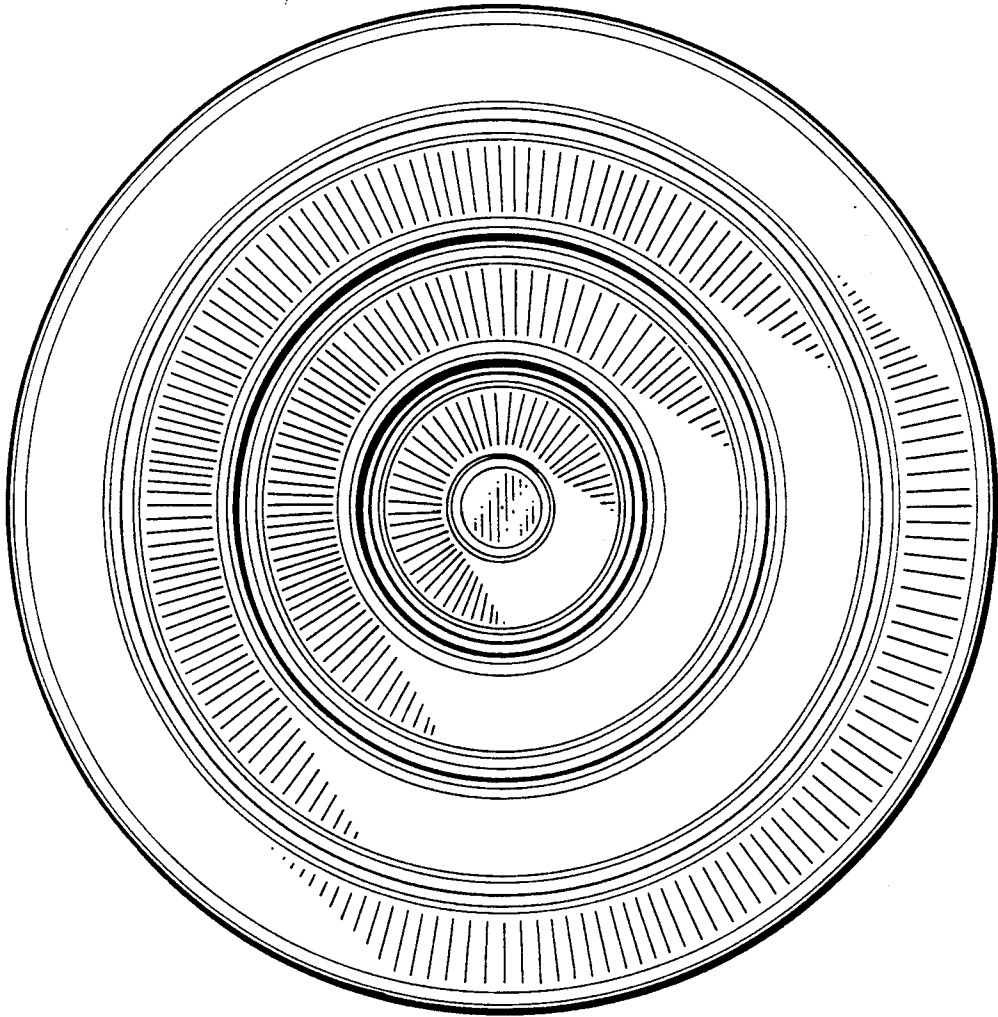


FIG. 4

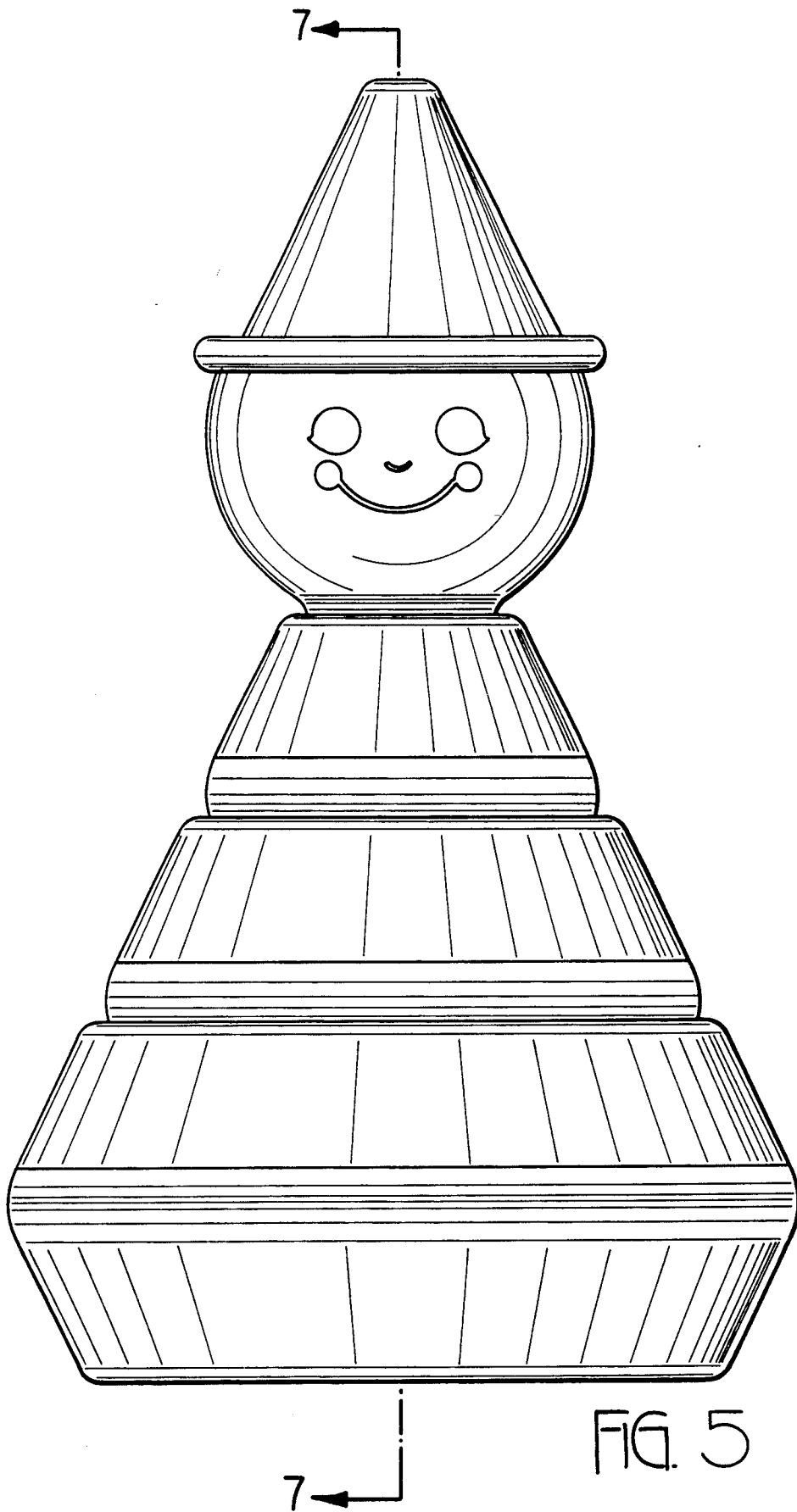


FIG. 5

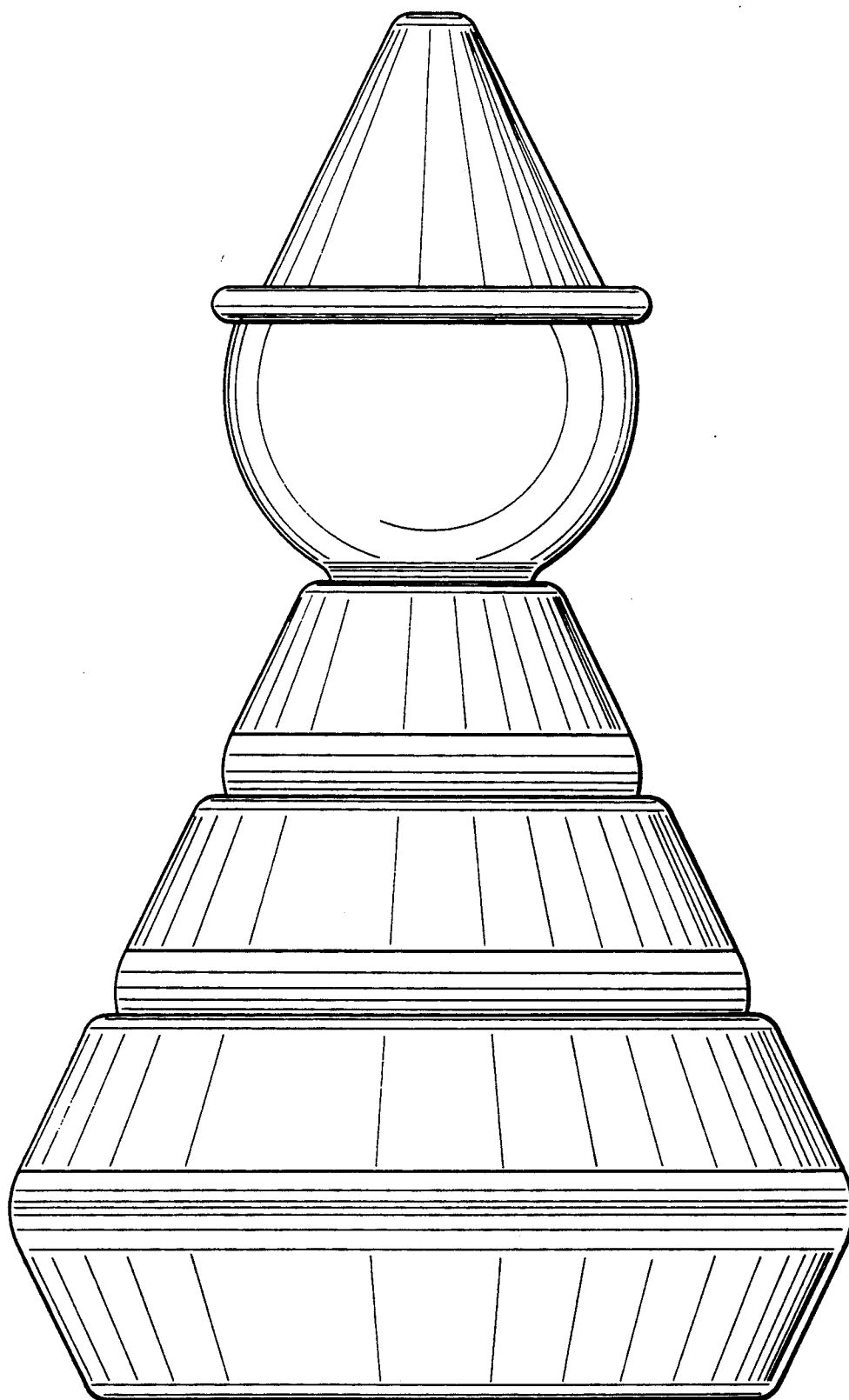


FIG. 6

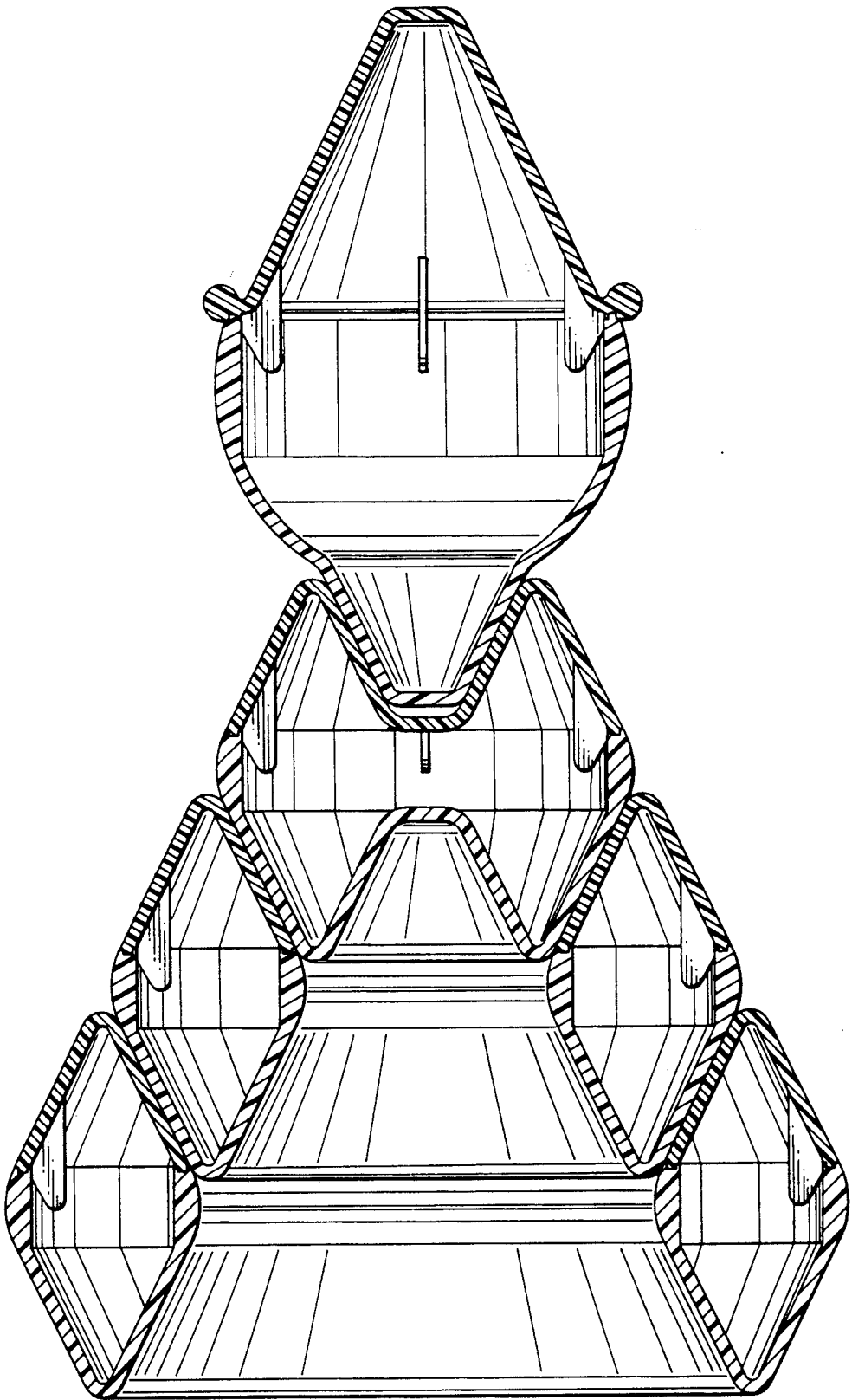


FIG. 7